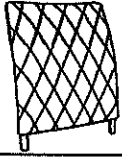


ASSEMBLY INSTRUCTION

1 1PC



2 1PC



3 1PC



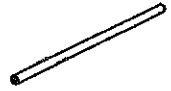
4 1PC



5 1PC



6 1PC



A 1PC



B 4PCS



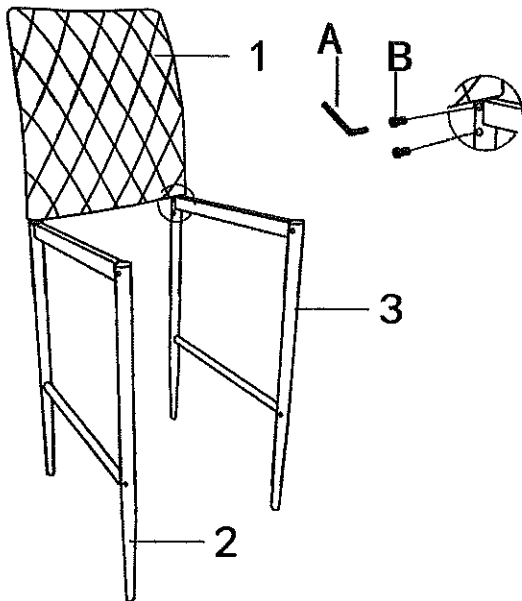
C 4PCS



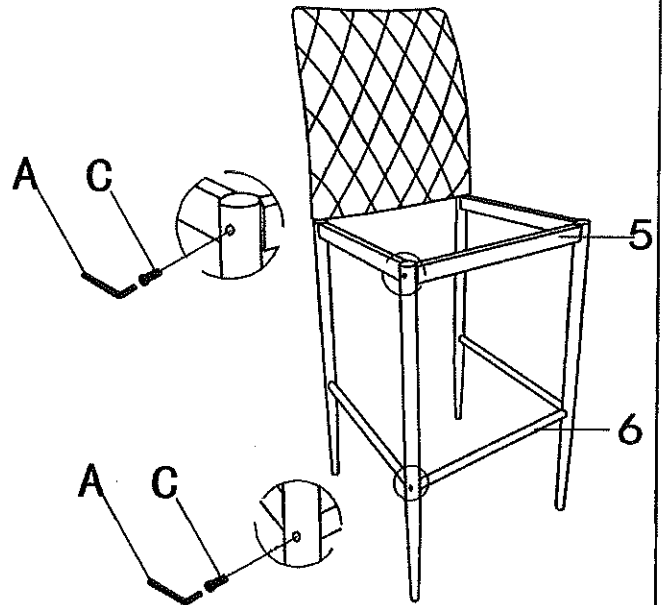
D 4PCS



1



2



3

