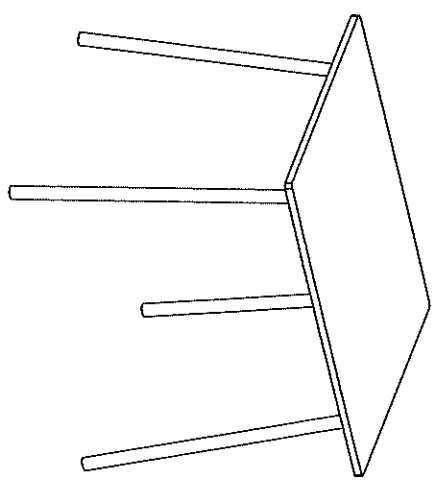
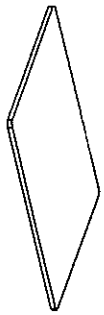


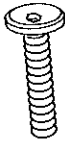
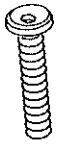
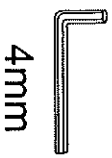
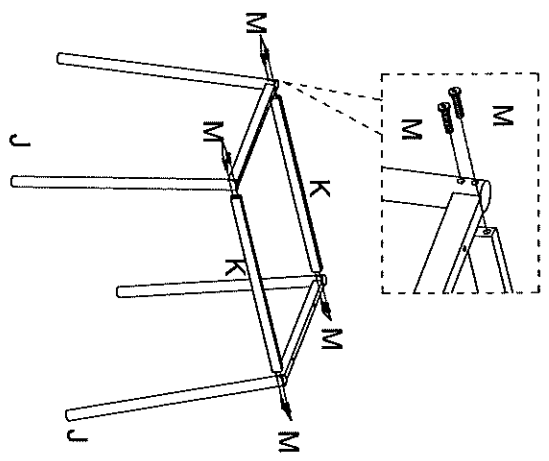


**ASSEMBLY INSTRUCTION**  
**\*\*\*DO NOT TIGHTEN SCREWS UNTIL COMPLETELY ASSEMBLED\*\*\***

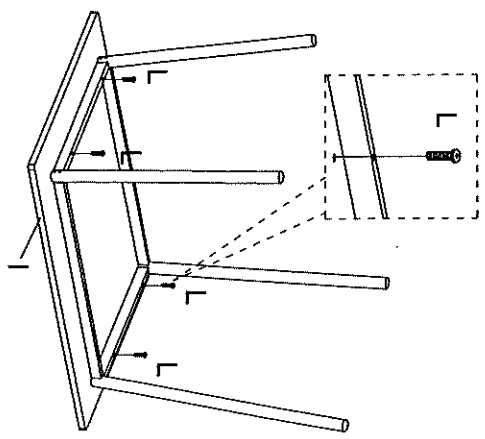


|          |                                                                                              |      |
|----------|----------------------------------------------------------------------------------------------|------|
| <b>I</b> |           | 1PC  |
| <b>J</b> |           | 2PCS |
| <b>K</b> |             | 2PCS |
| <b>L</b> | <br>M6x48mm | 4PCS |
| <b>M</b> | <br>M6x55mm | 8PCS |
| <b>N</b> | <br>4mm     | 1PC  |

**1**



**2**



KEISEN

| ASSEMBLE INSTRUCTION |  | ***DO NOT TIGHTEN SCREWS UNTIL COMPLETELY ASSEMBLED*** |  |
|----------------------|--|--------------------------------------------------------|--|
| A                    |  | 2PCS                                                   |  |
| B                    |  | 2PCS                                                   |  |
| C                    |  | 2PCS                                                   |  |
| D                    |  | 2PCS                                                   |  |
| E                    |  | 2PCS                                                   |  |
| F                    |  | 2PCS                                                   |  |
| G                    |  | 8PCS                                                   |  |
| H                    |  | 8PCS                                                   |  |
| O                    |  | 8PCS                                                   |  |