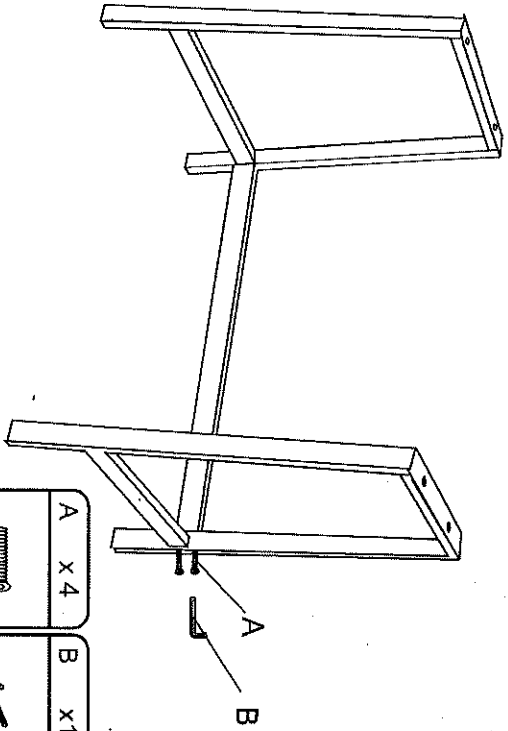
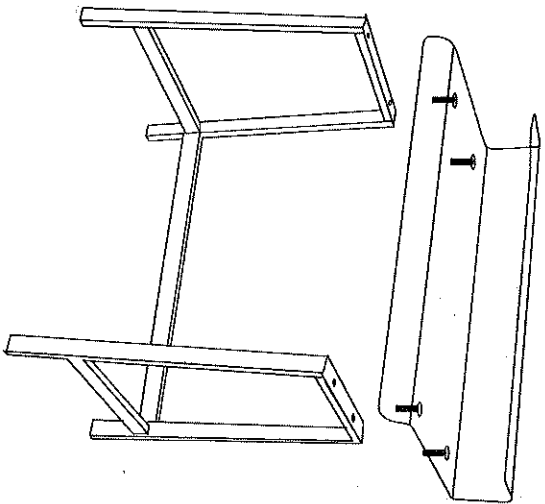


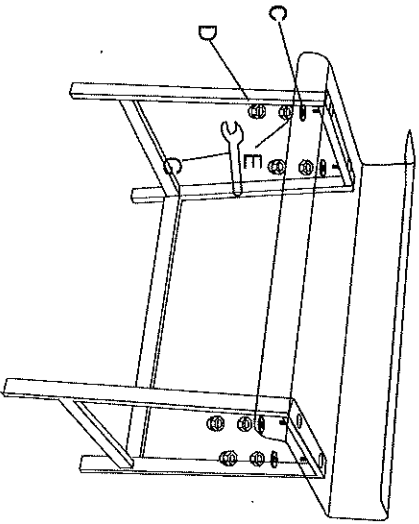
Assembly Instruction



A	x 4
B	x 1



F	x 4
---	-----



C	x 4
D	x 4
E	x 4
G	x 1

