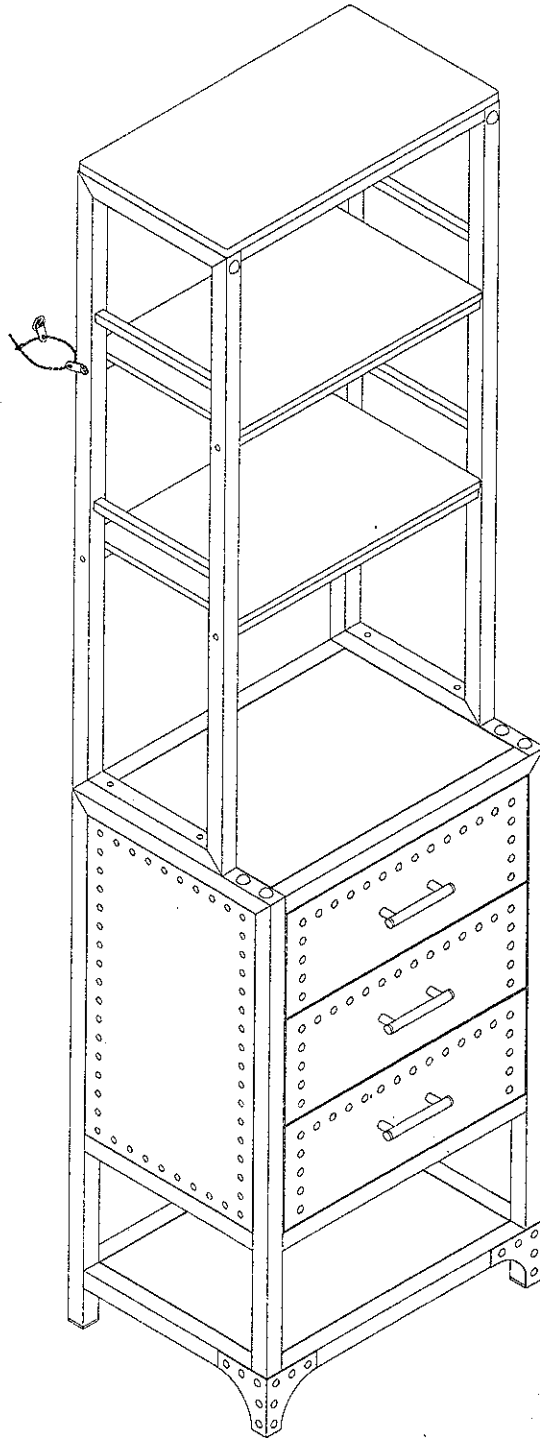
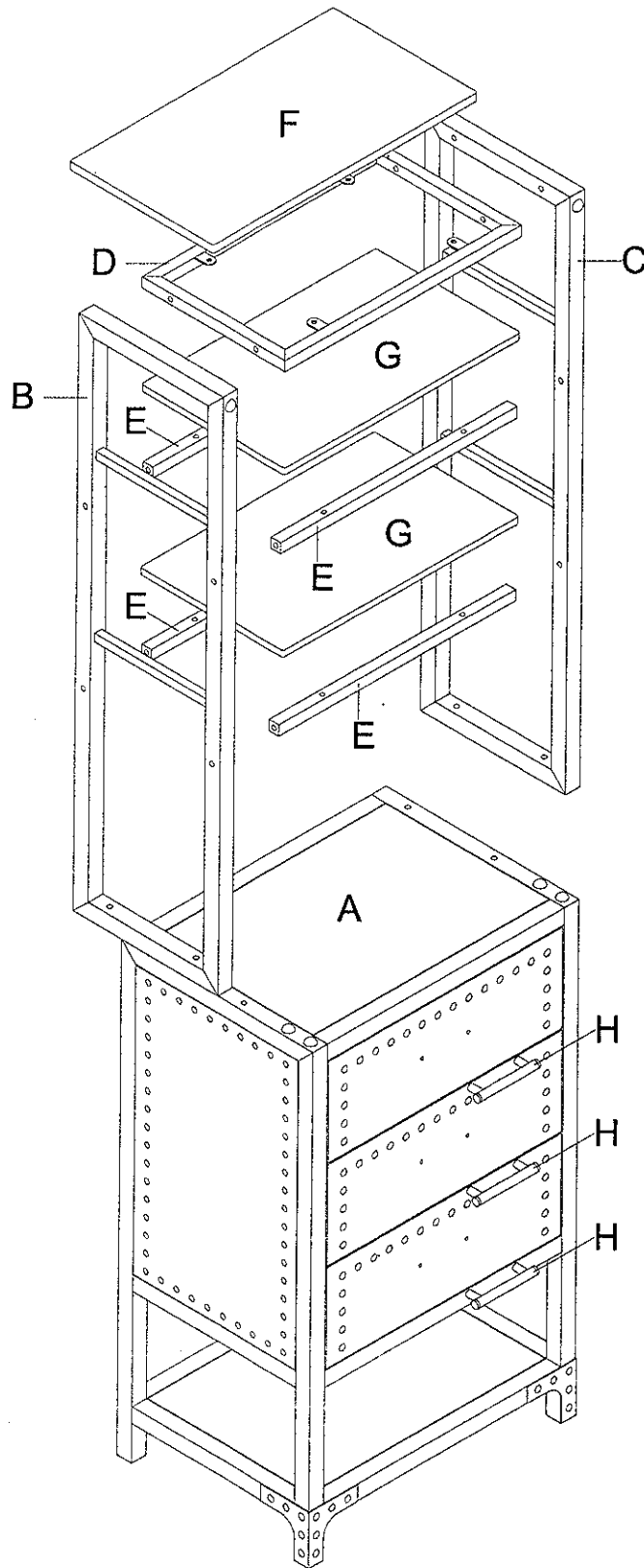


ASSEMBLY INSTRUCTIONS

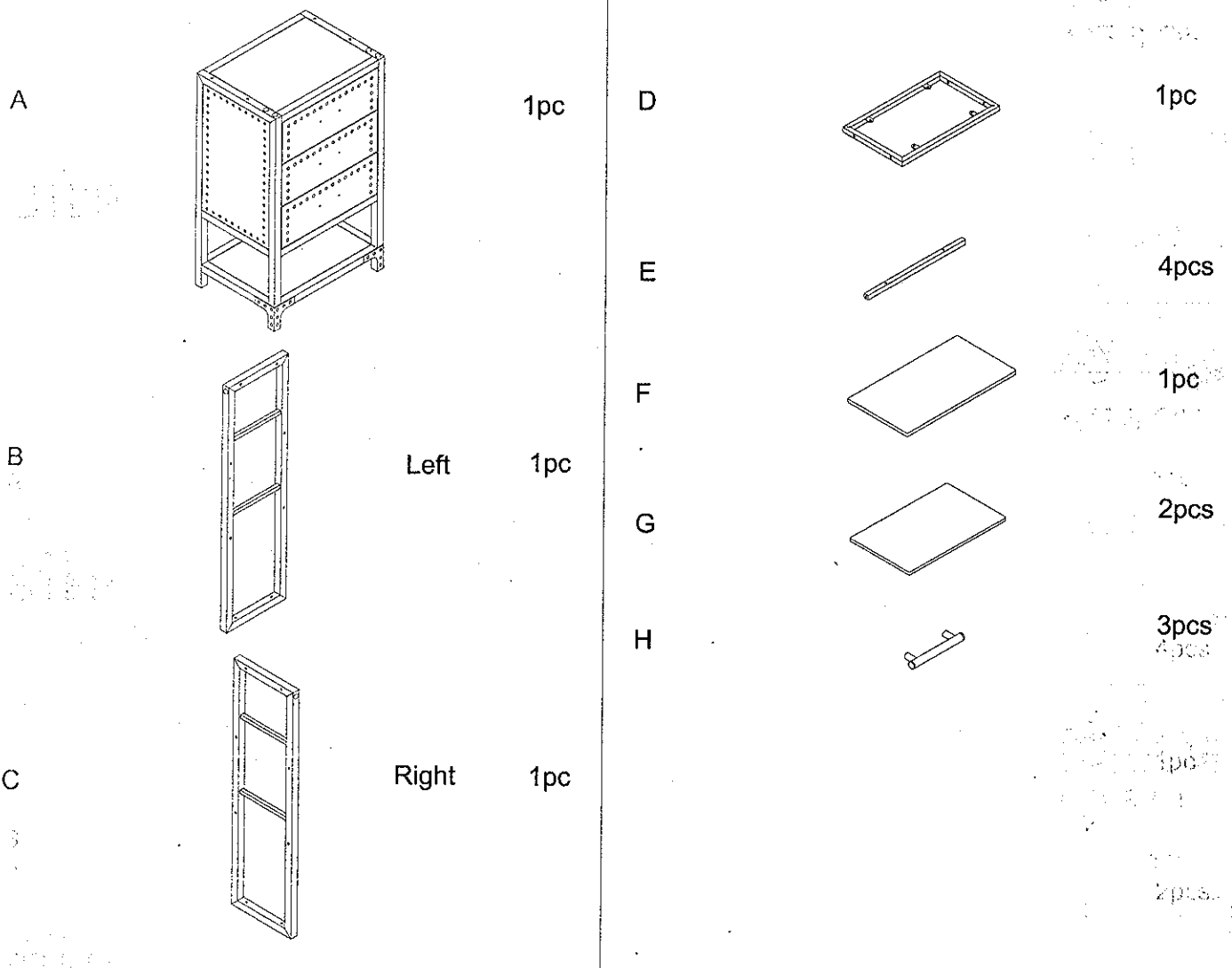
ITEM NO.:SBS1055




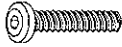






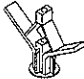

PARTS IDENTIFICATION

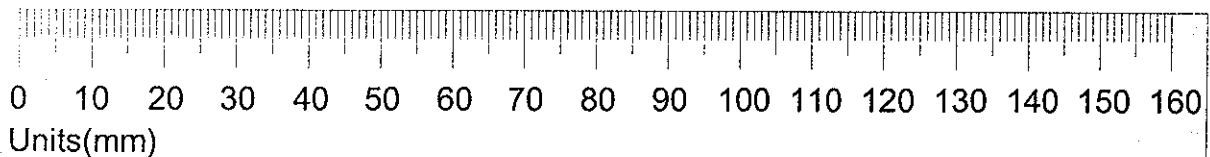


PARTS IDENTIFICATION

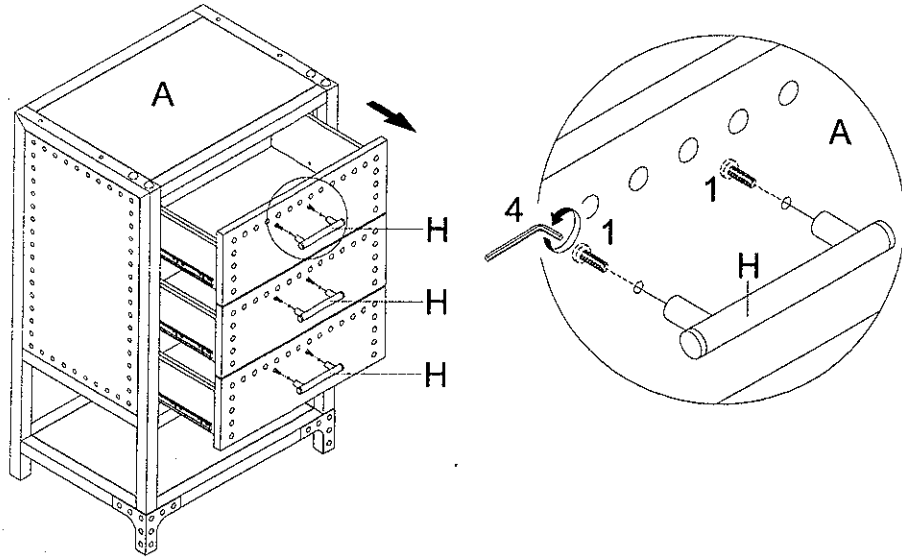



HARDWARE LIST

1 M6x15  6pcs	2 M6x35  4pcs	3 M6x45  12pcs
4 4x4  1pc	5 M5x12  4pcs	6 M5x30  8pcs
7 M4x37  1pc	8  2pcs	9  1pc
10  1pc		

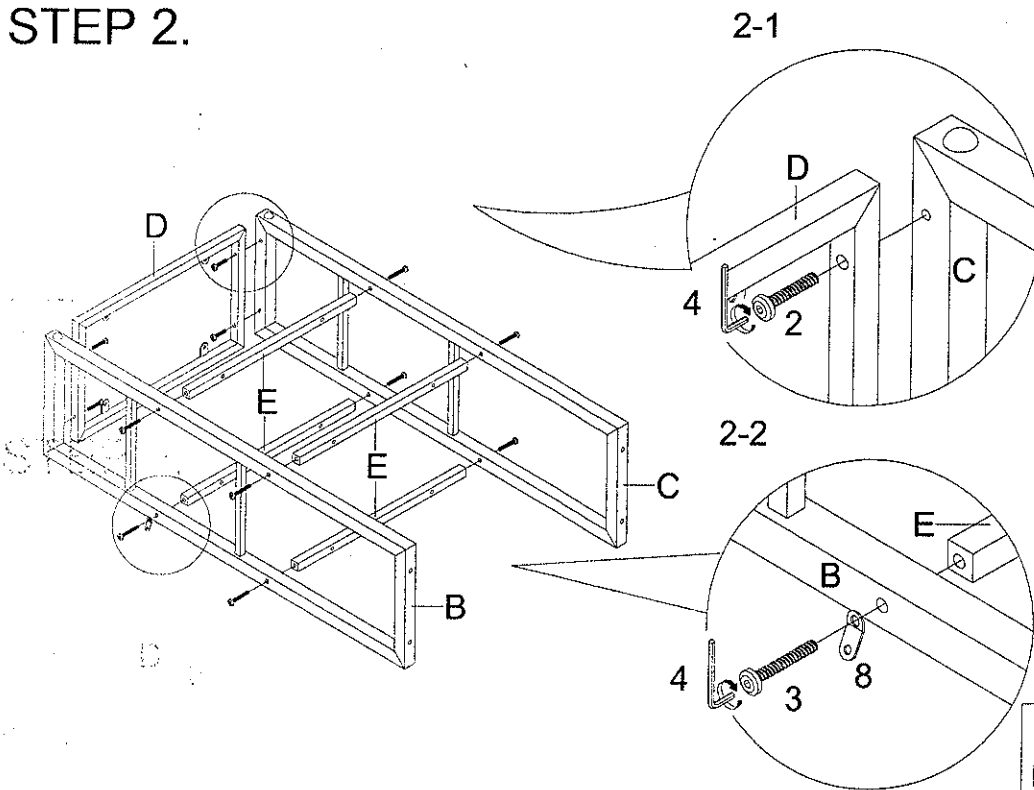





STEP 1.



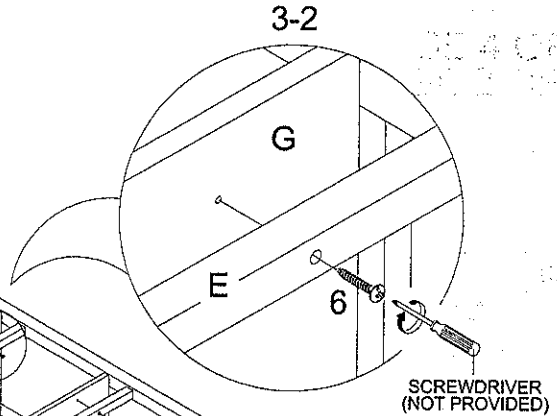
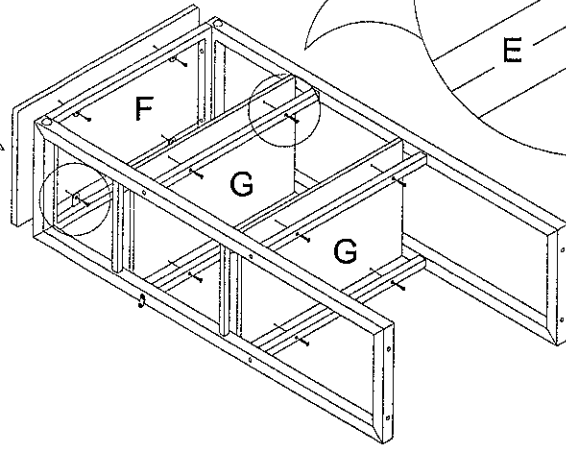
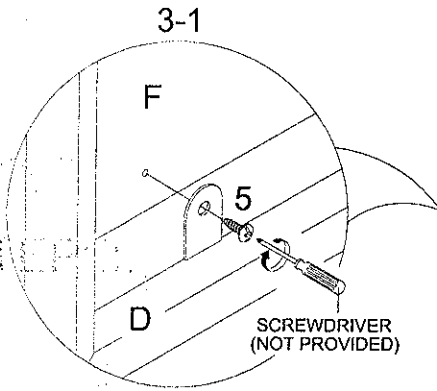
1		6pcs
M6x15		



STEP 2.



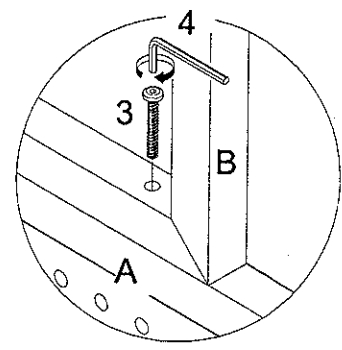
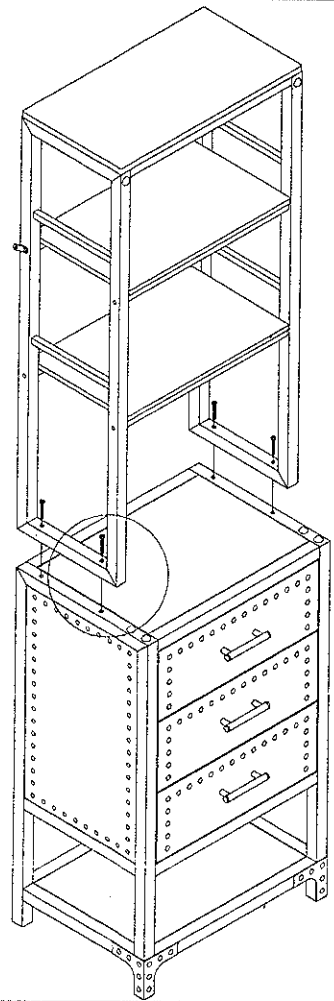
2		4pcs
M6x35		
3		8pcs
M6x45		
8		1pc


STEP 3.



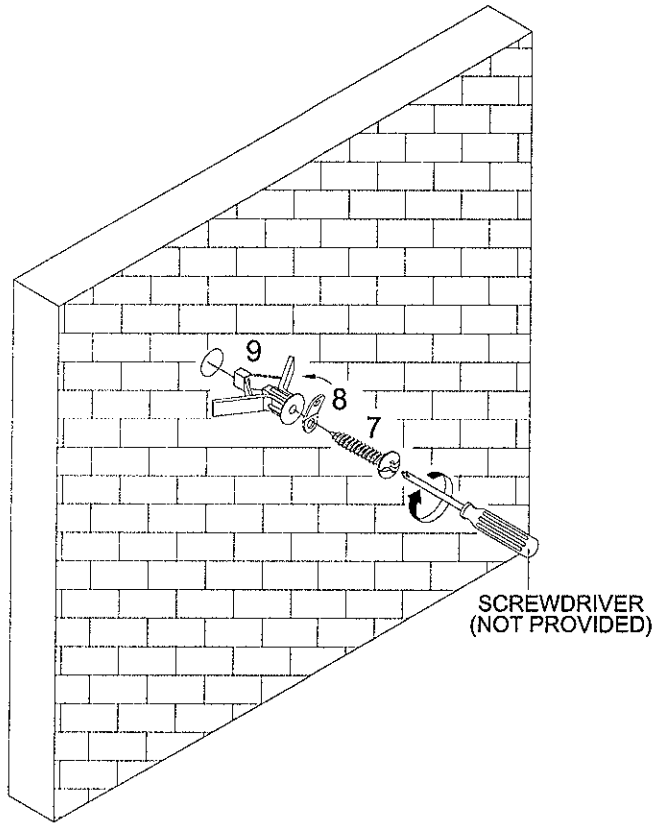
5		4pcs
6		8pcs

STEP 4.



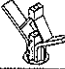


3		4pcs
---	---	------

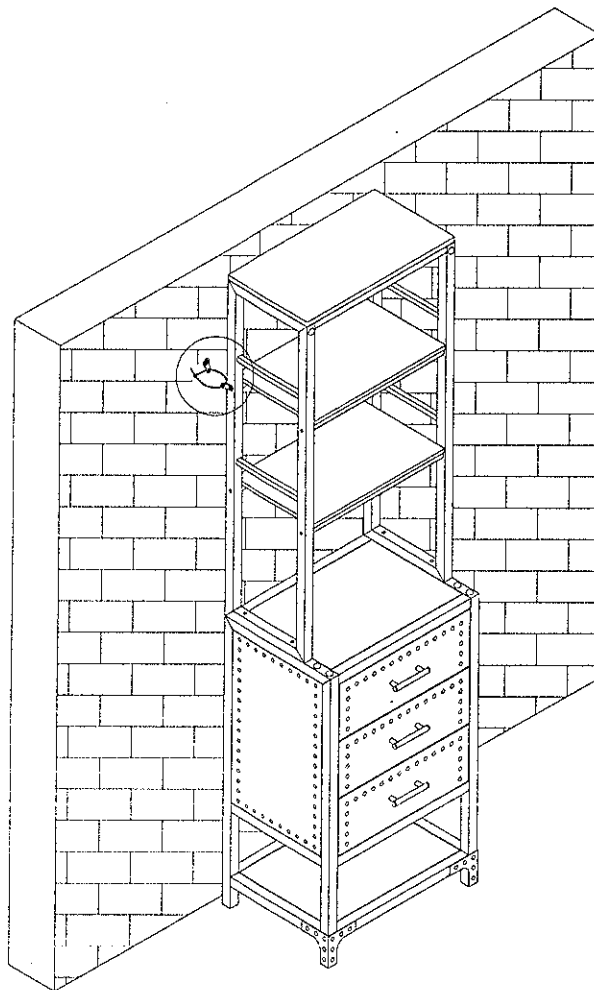
STEP 5.



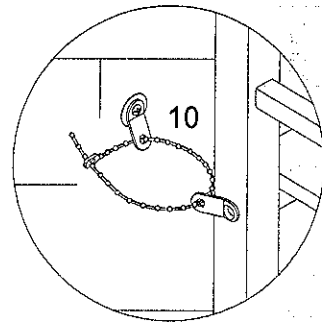
SCREWDRIVER
(NOT PROVIDED)

7		1pc
8		1pc
9		1pc

STEP 6.



To Prevent Tip over
Product Must Be
Attached To Wall



10		1pc
----	---	-----