

x4

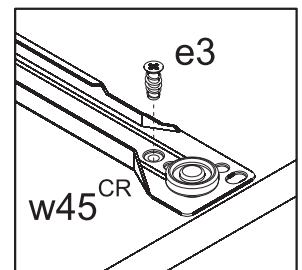
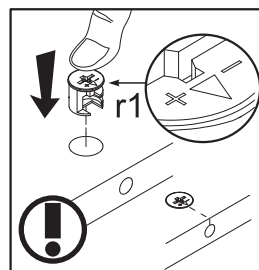
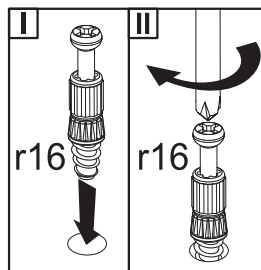
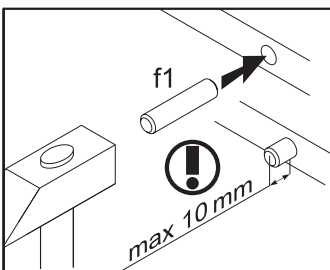
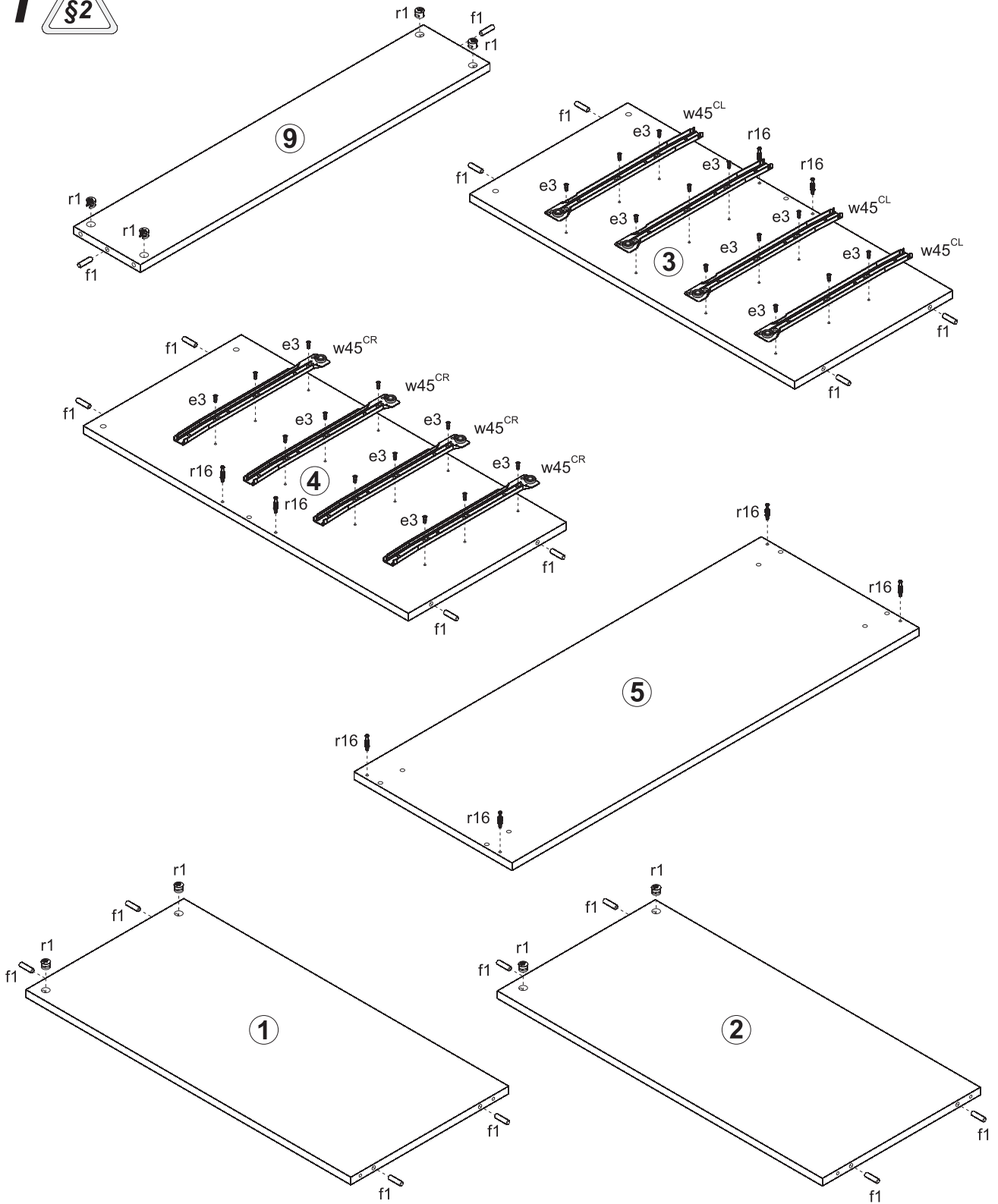
A	B	C		D
1	LK1-101	782	380	1/2
2	LK1-102	782	380	1/2
3	LK1-103	782	380	1/2
4	LK1-104	782	380	1/2
5	LK1-201	980	380	1/2
6	LK1-202	980	380	1/2
7	LK1-401	675	70	1/2
8	LK1-402	981	70	1/2

A	B	C		D
9	LK1-403	841	160	1/2
10	LK1-901	974	404	1/2
11	LK1-001	834	165	2/2
12	LK1-551	350	120	2/2
13	LK1-552	350	120	2/2
14	LK1-553	784	120	2/2
15	LK1-902	349	799	1/2

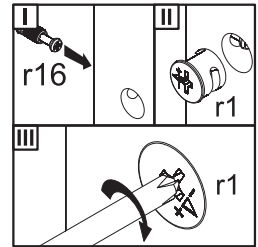
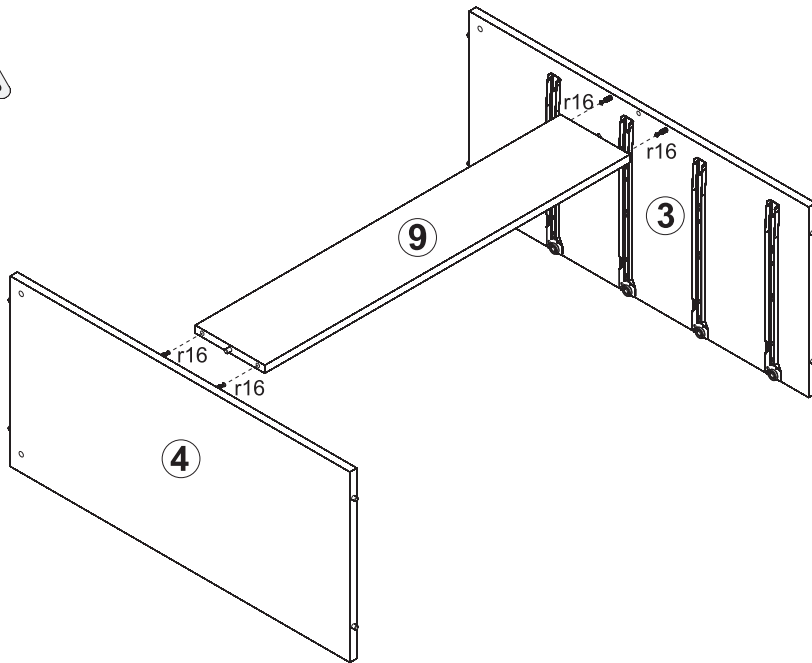


8x 96/128 mm c235	12x 30x34x25 d37	4x φ7x50 mm e1	24x φ6x13 mm e3	16x φ5x50 mm e32	18x φ8x30 mm f1	8x φ8x50 mm f6	4x φ48\19mm k27
40x l1	1x n26\1	16x φ4x30 mm p9	8x φ3,5x16 mm p25	55x φ3,5x16 mm p38	16x φ3x12 mm p54	24x φ15x12mm #16 r1	24x 20/9 r16
16x φ16 s2	4x 333 mm t19	4x 350 mm w45^{CR}	4x 350 mm w45^{CL}	4x 350 mm w45^{DL}	4x 350 mm w45^{DR}	1x z1	1x

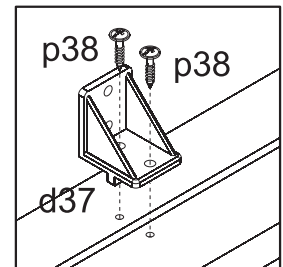
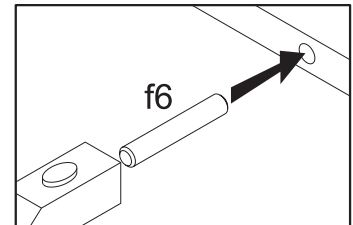
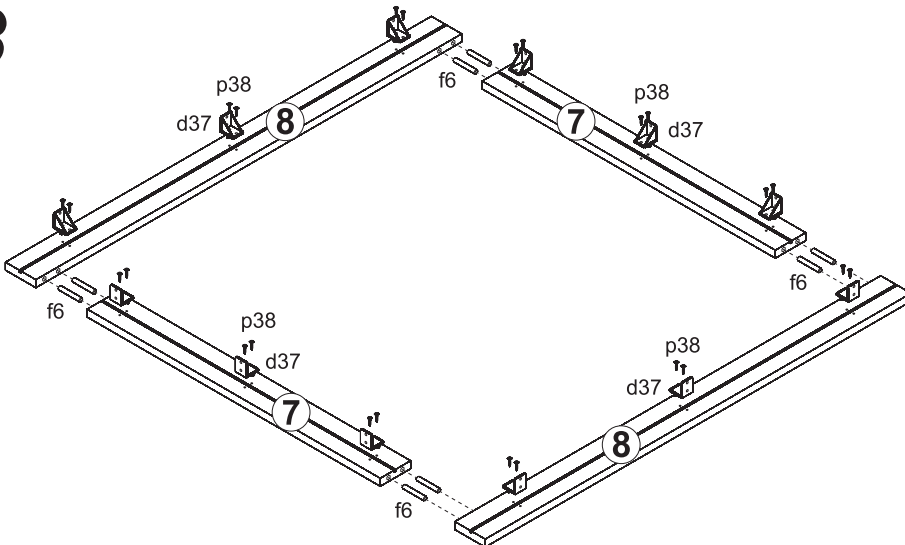
1 



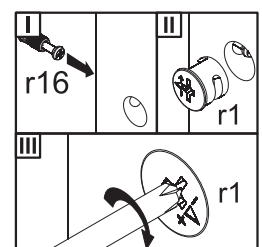
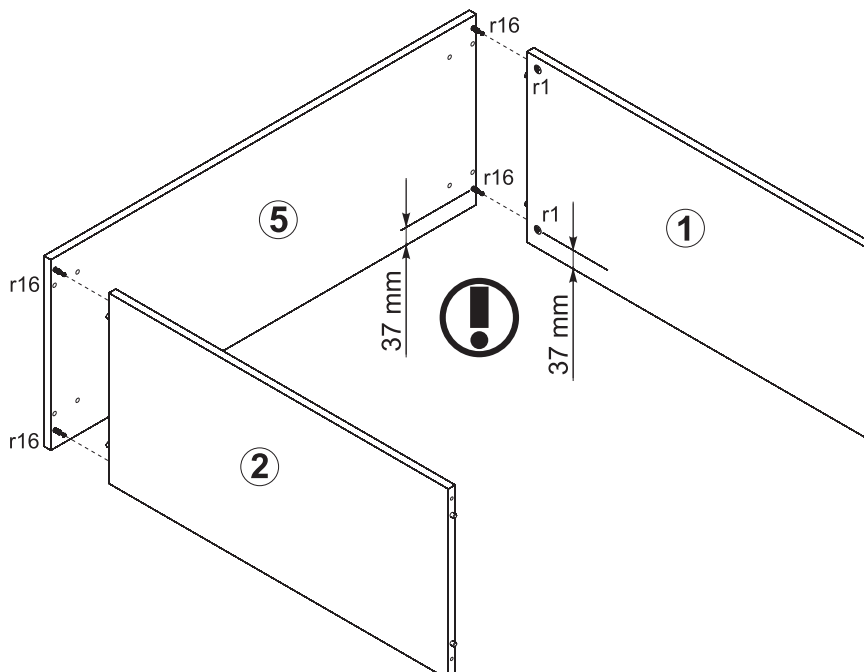
2 



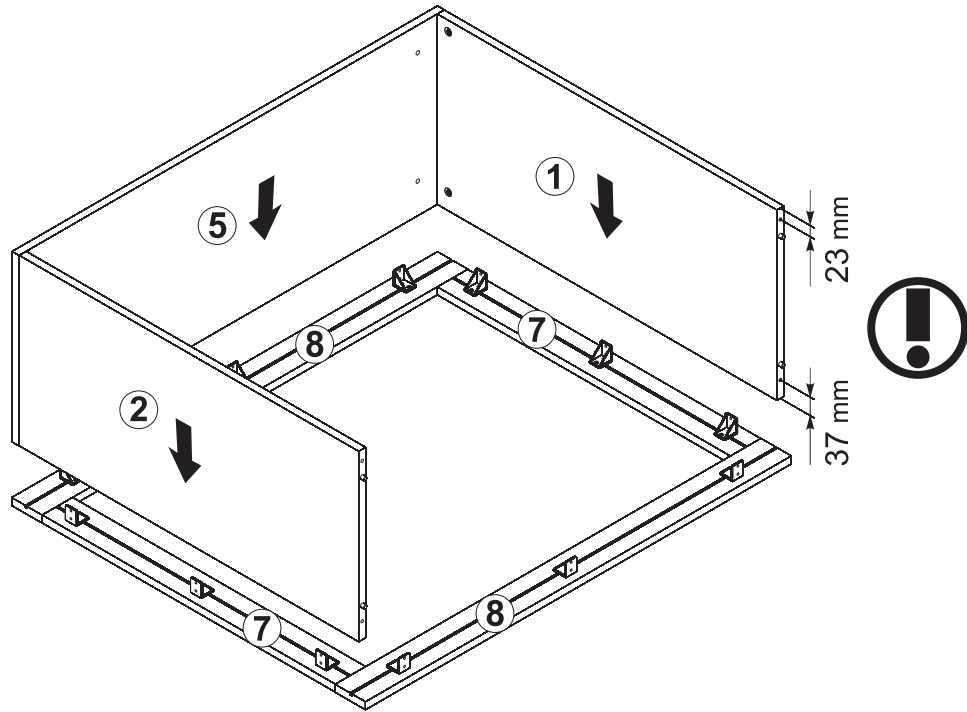
3



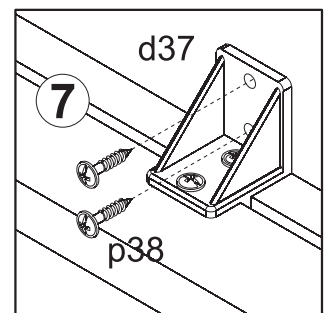
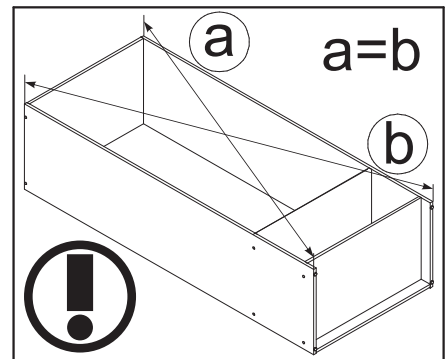
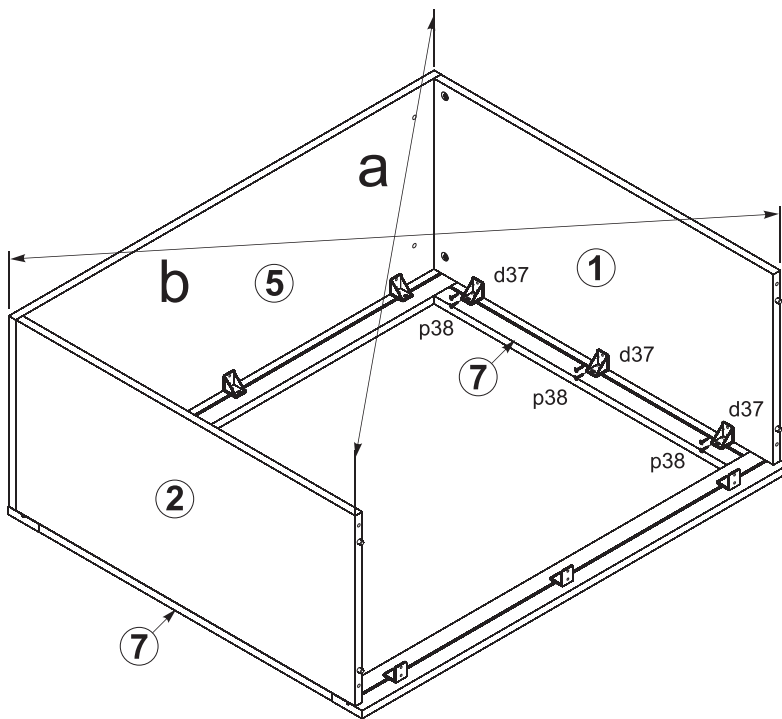
4



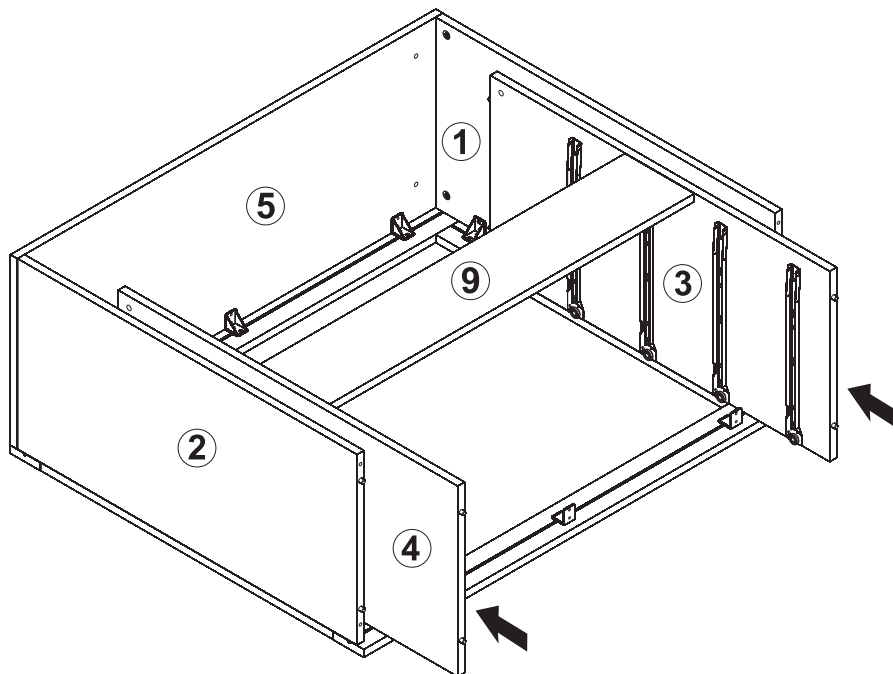
5



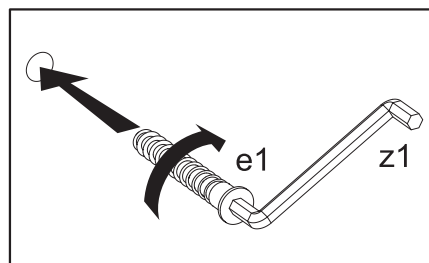
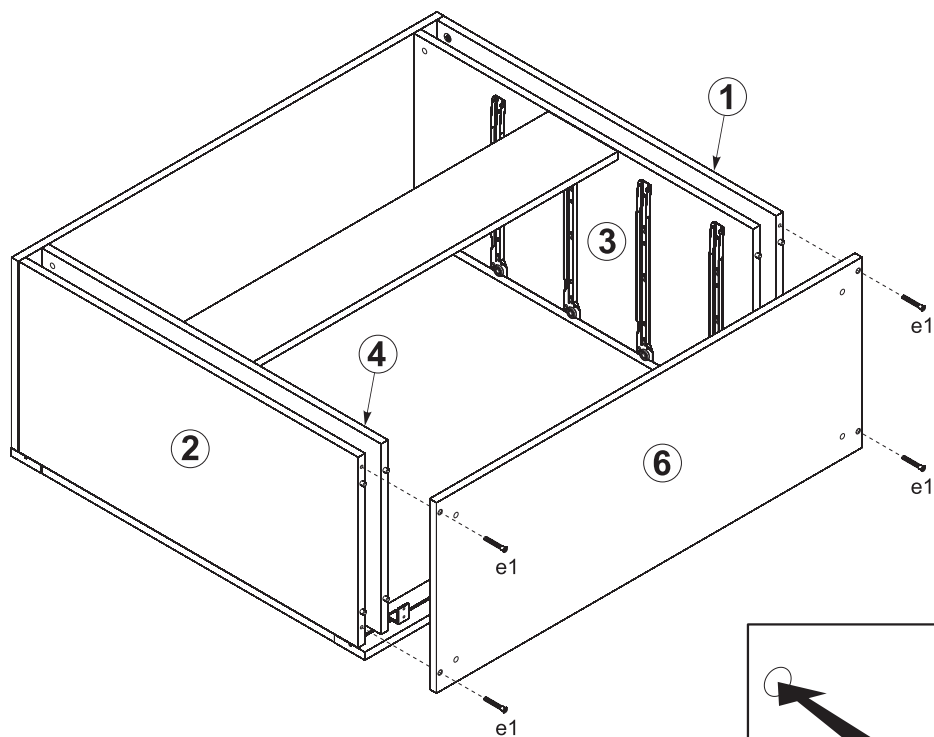
6



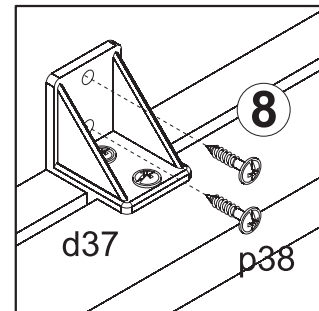
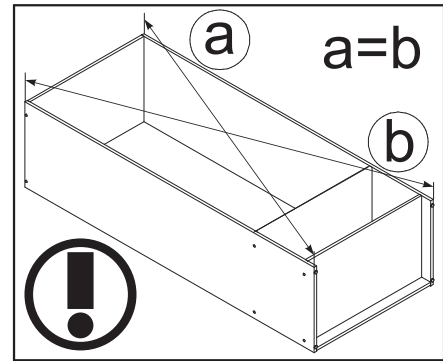
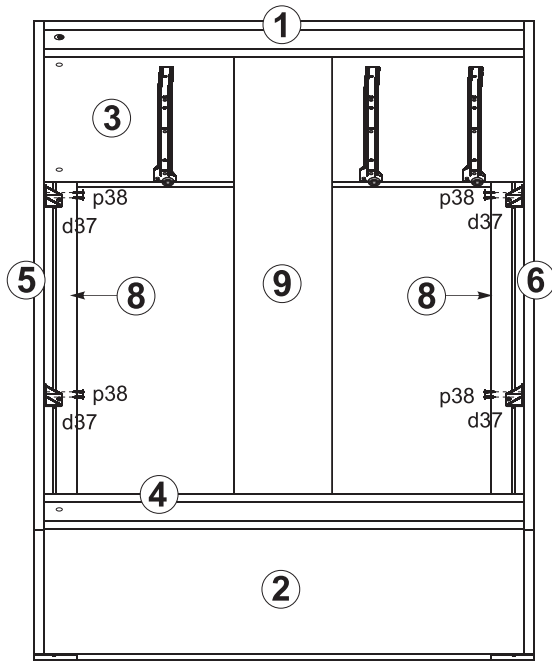
7



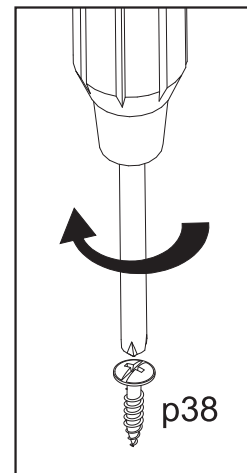
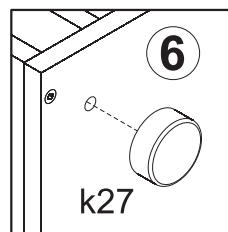
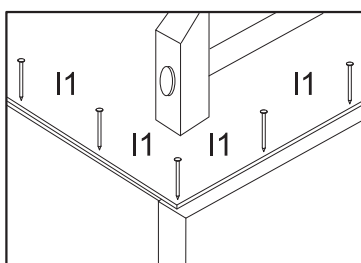
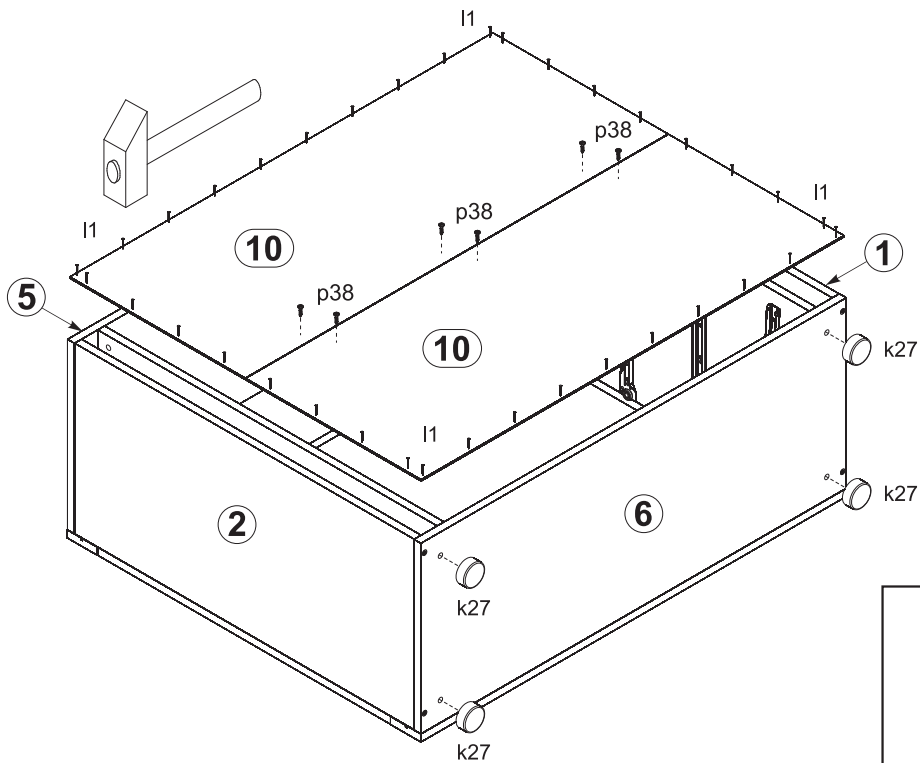
8



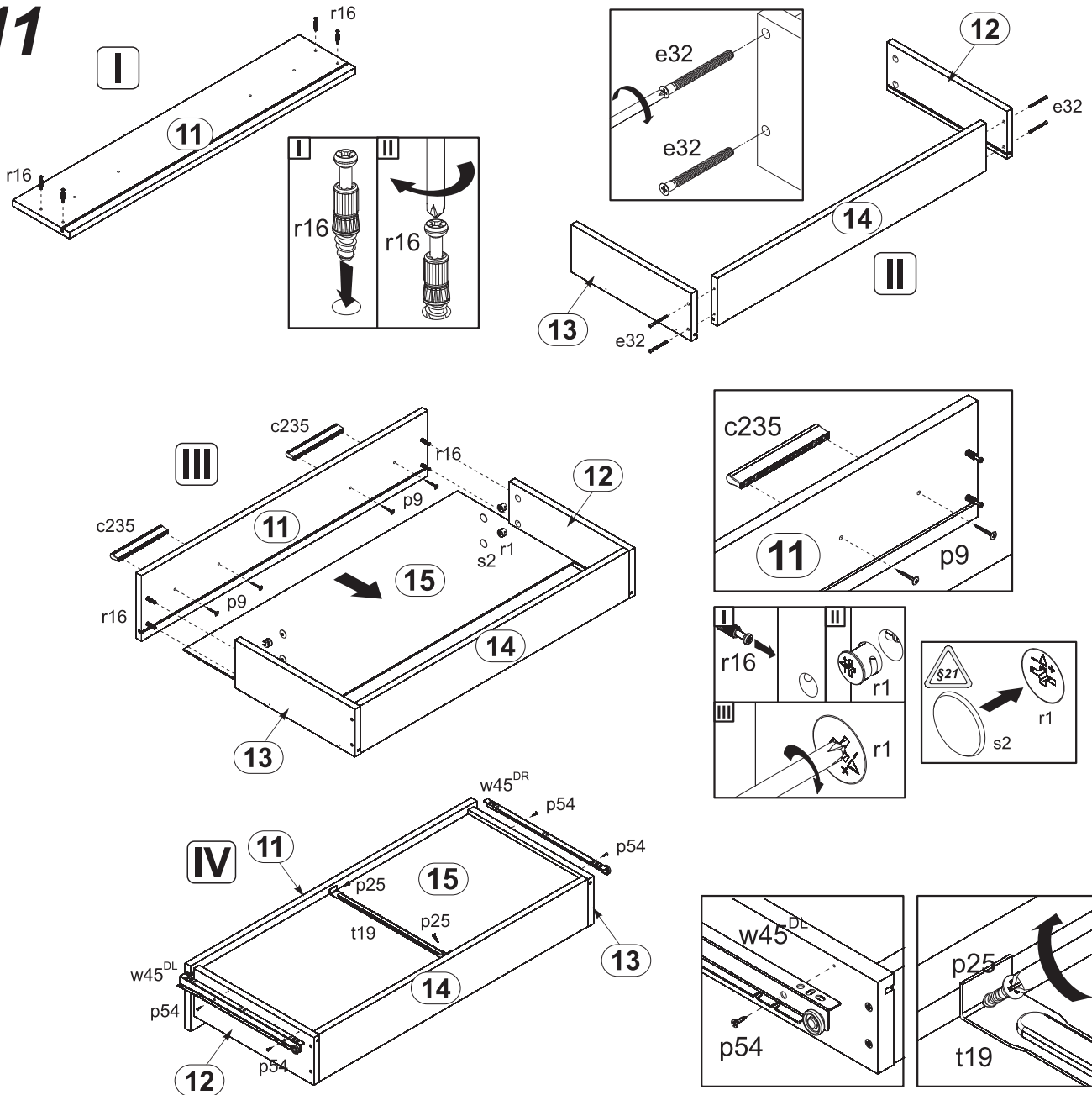
9



10



11



12

