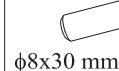


A	B	C		D
1	LK1-207	1600	60	1/1
2	LK1-5501	1040	140	1/1
3	LK1-5502	1040	140	1/1
4	LK1-5503	1582	140	1/1
5	LK1-5504	1300	579	1/1

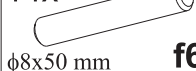


4x



φ8x30 mm **f1**

14x



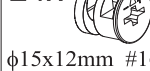
φ8x50 mm **f6**

4x



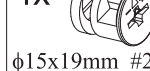
**k1**

24x



φ15x12mm #16 **r1**

4x



φ15x19mm #28 **r9**

12x



**r10**

4x



20/9 **r16**

12x



**s1**

10x



φ16 **s2**

14x

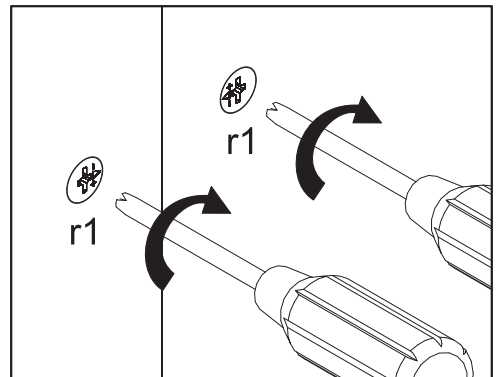
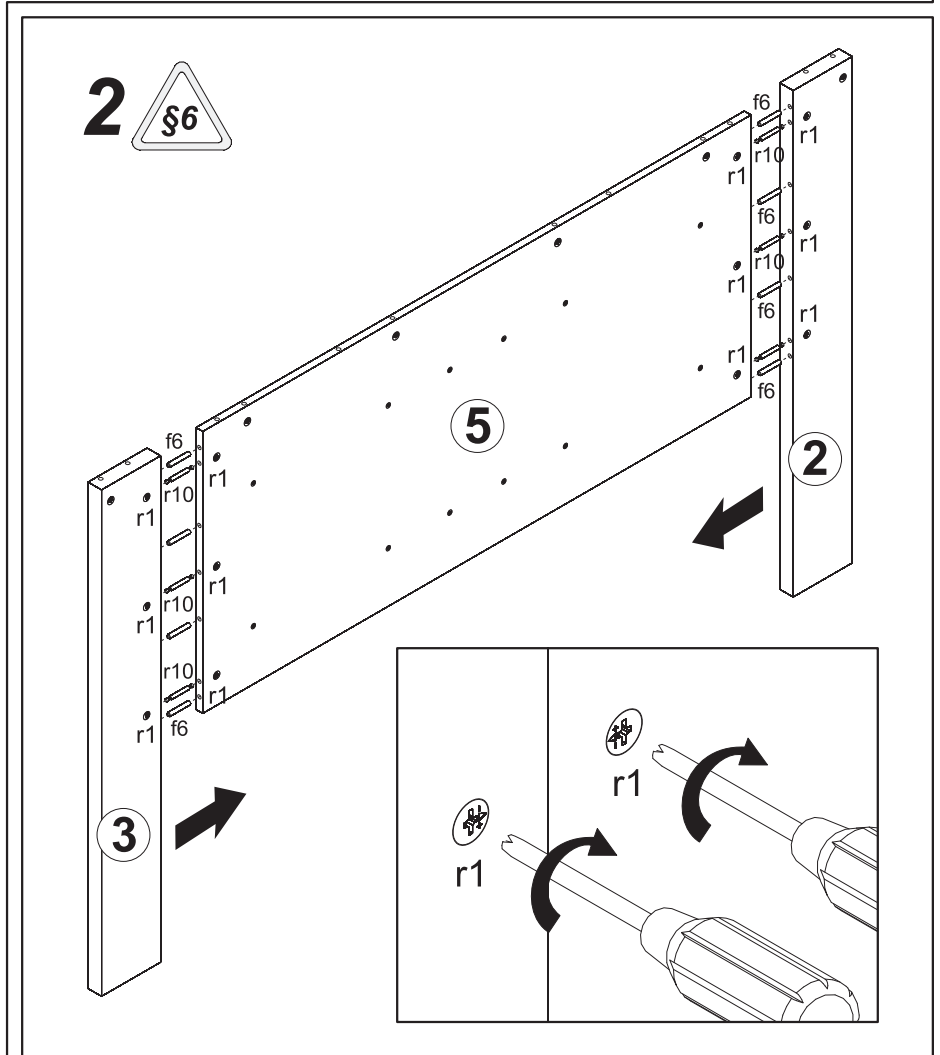
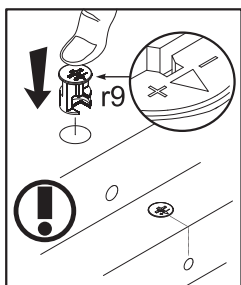
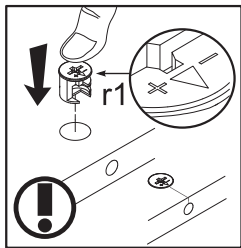
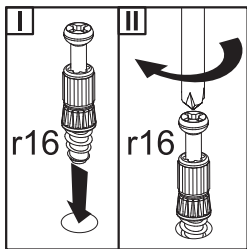
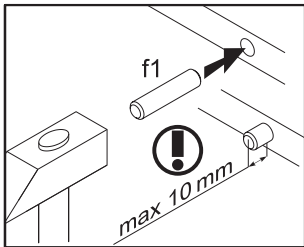
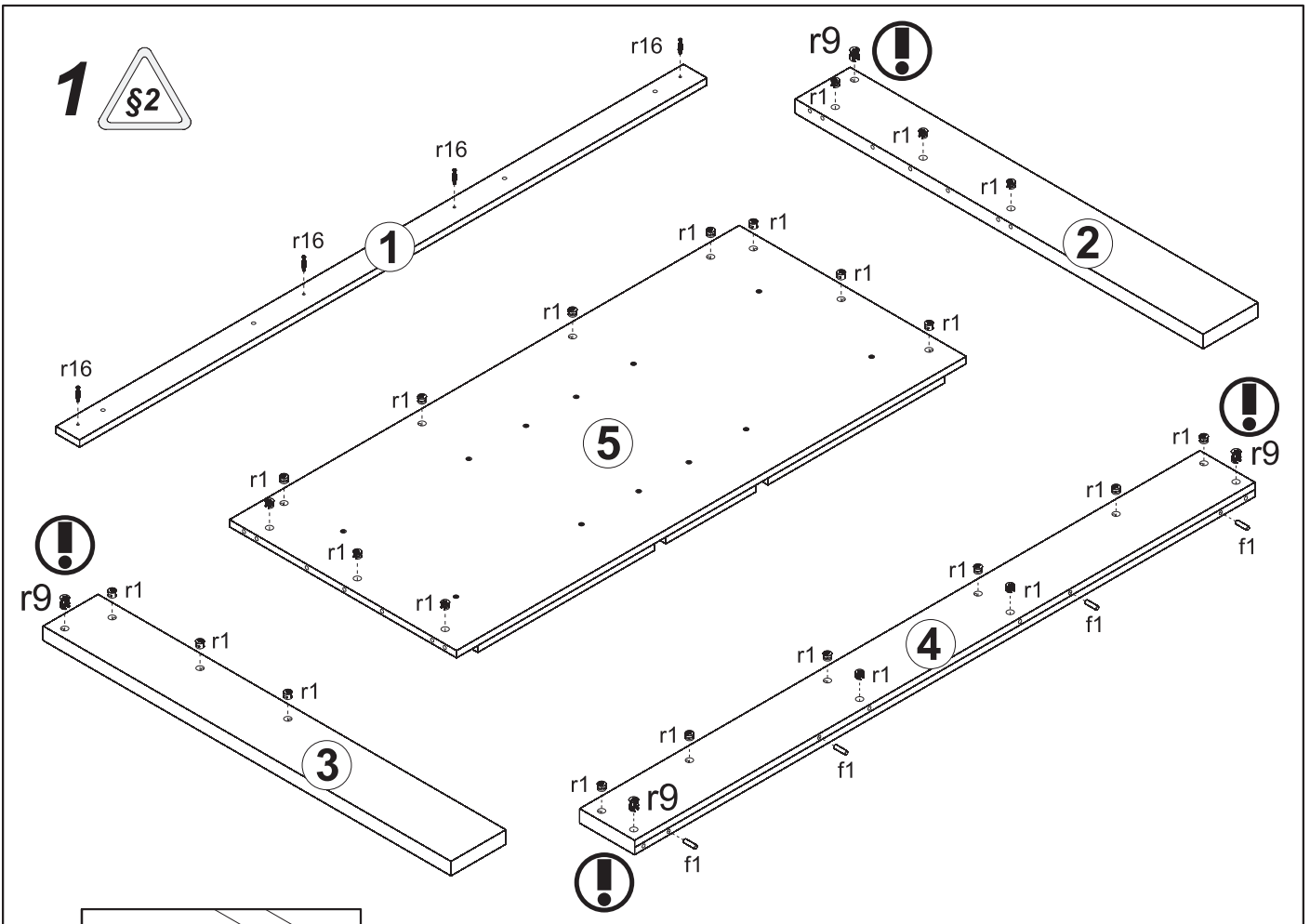


φ16 **s2**

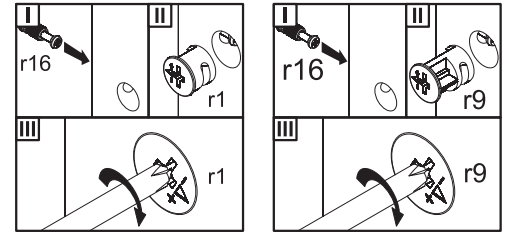
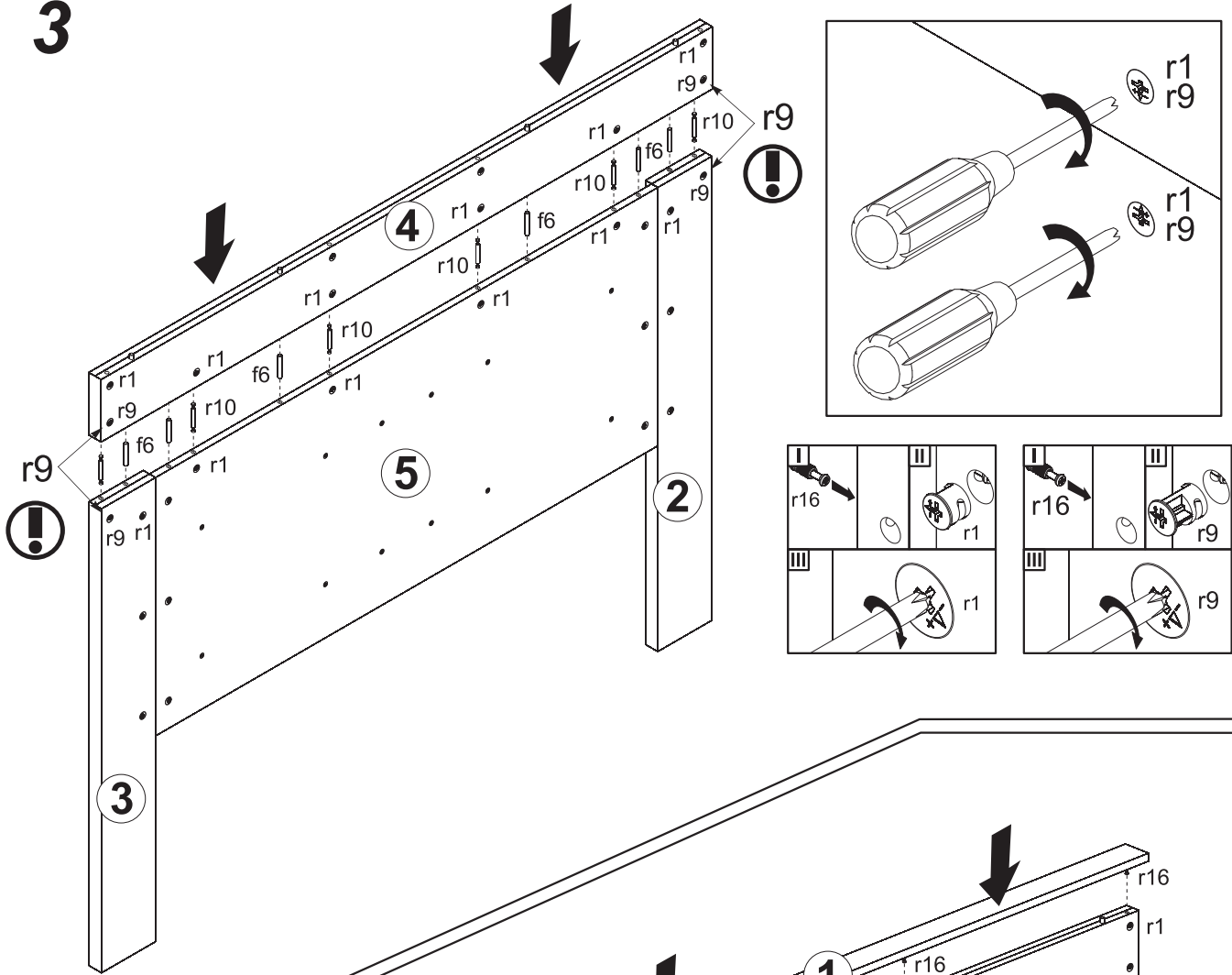
4x



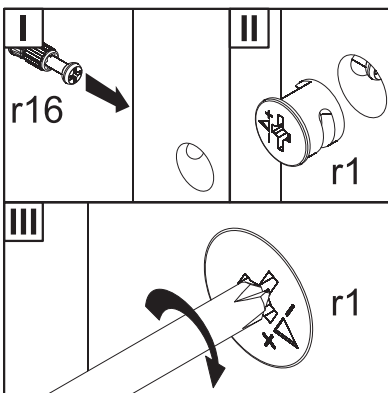
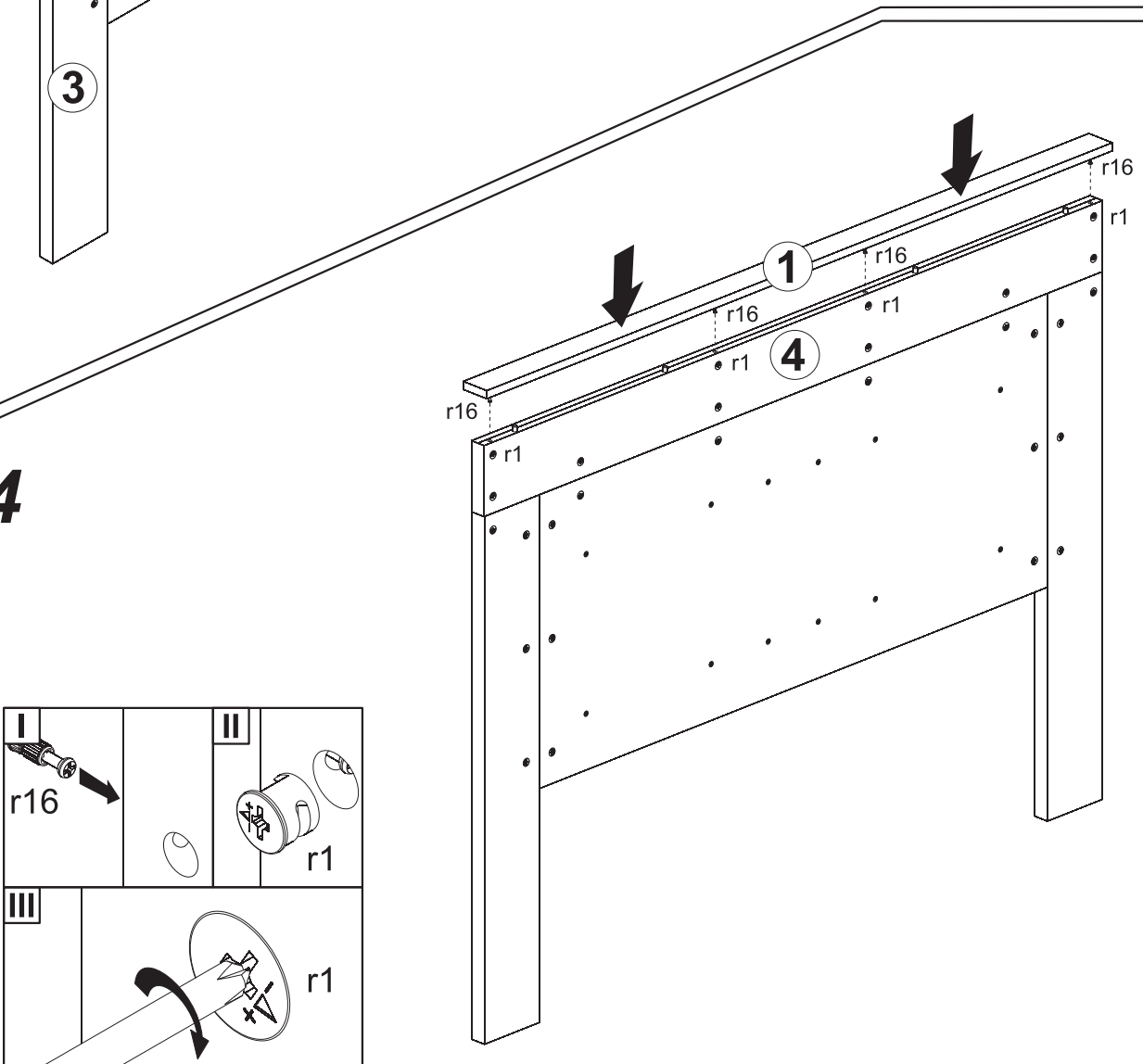
**s68**



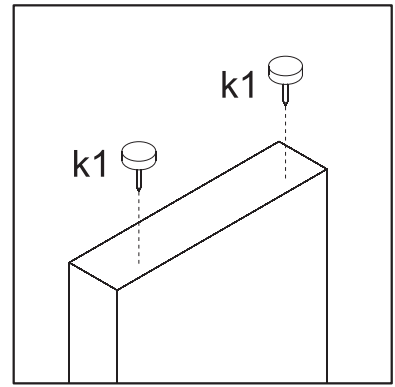
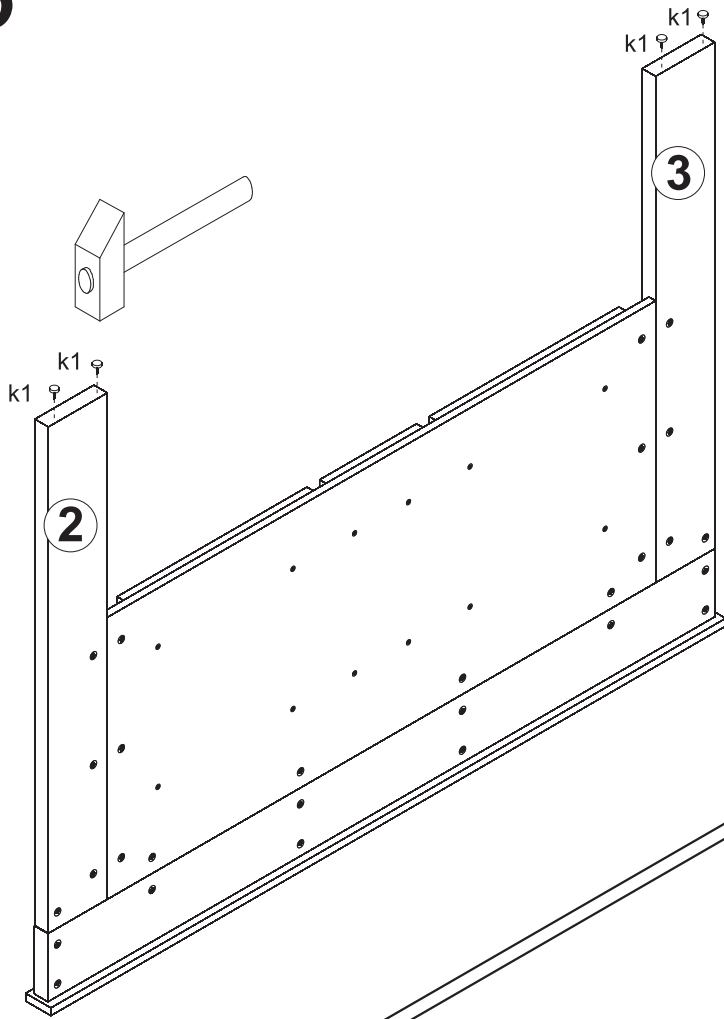
# 3



# 4



# 5



# 6

