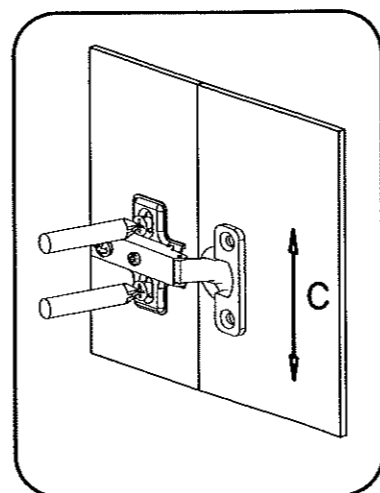
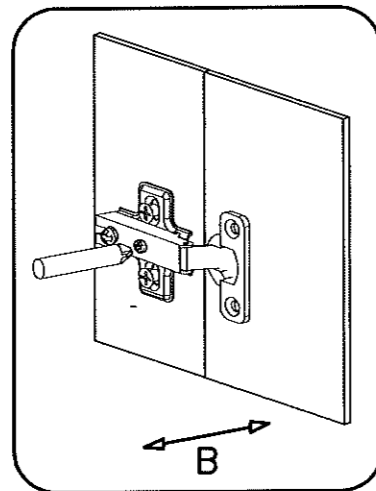
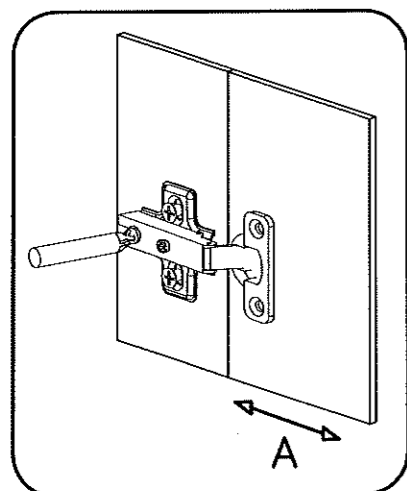
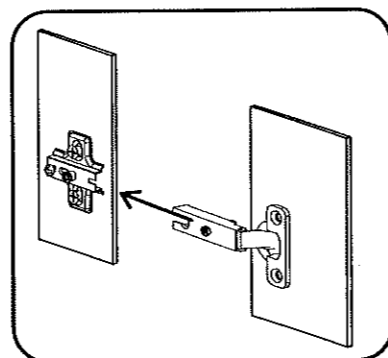
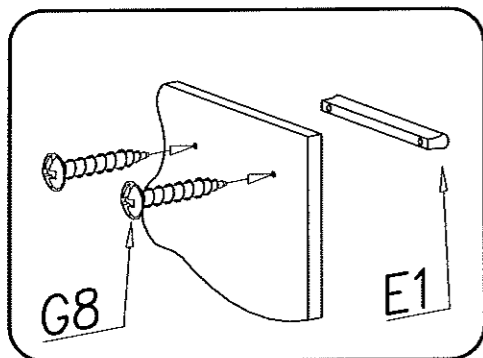
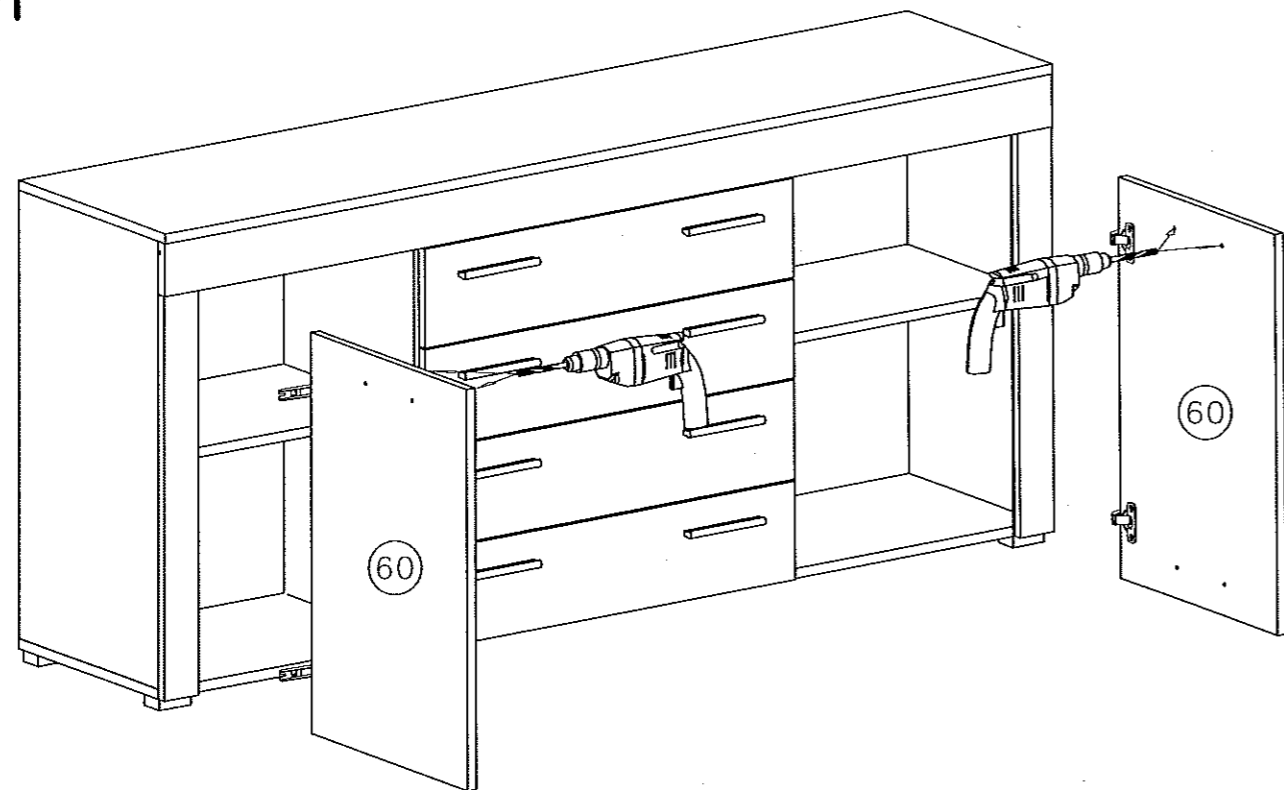
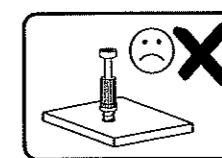
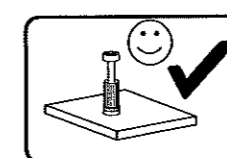
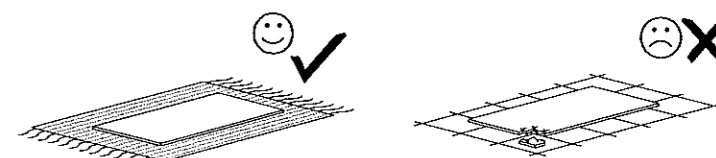
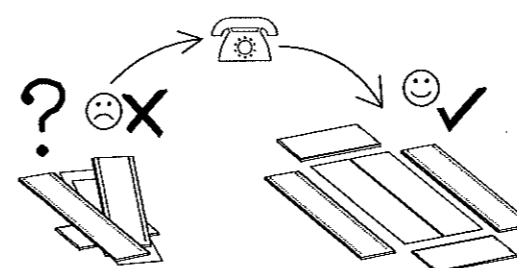
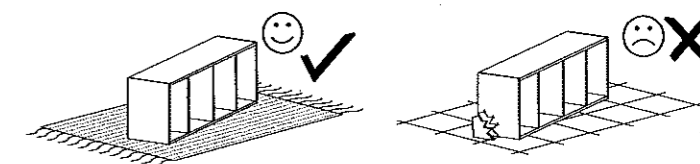
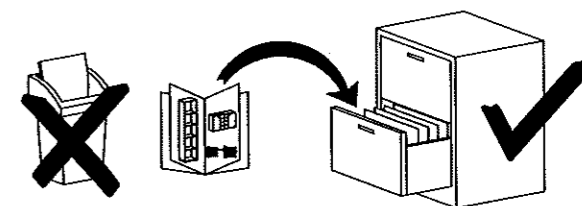
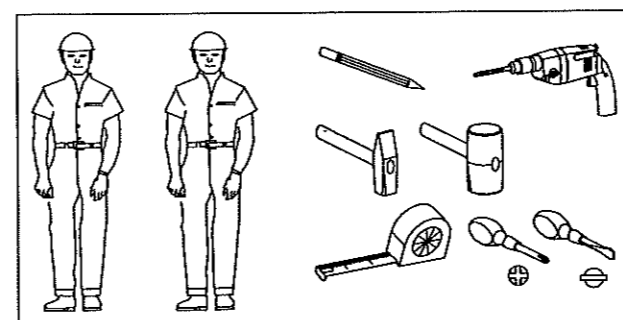
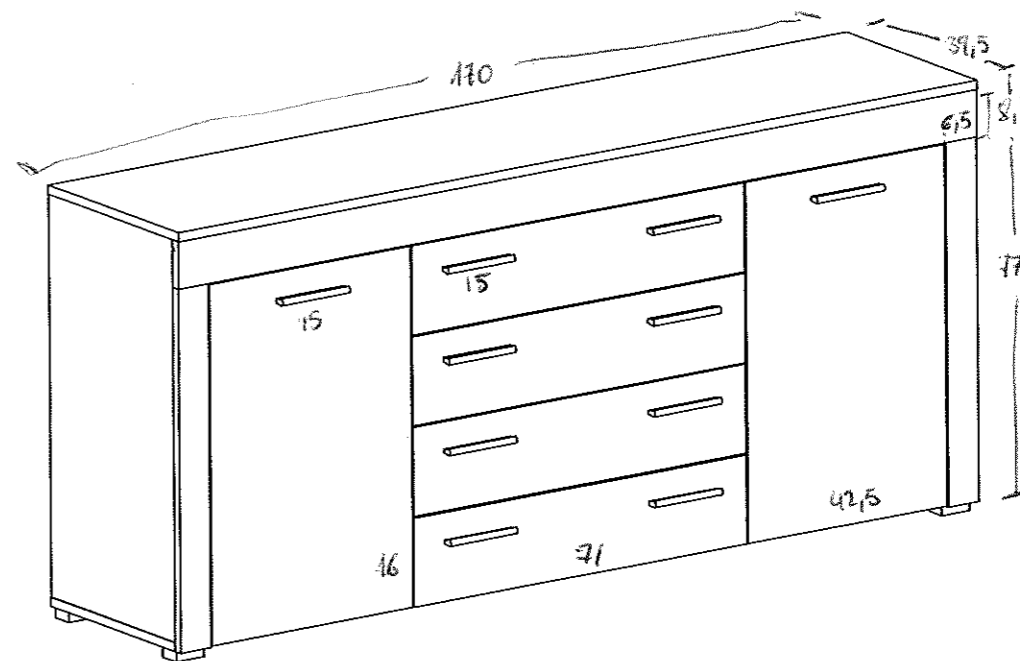


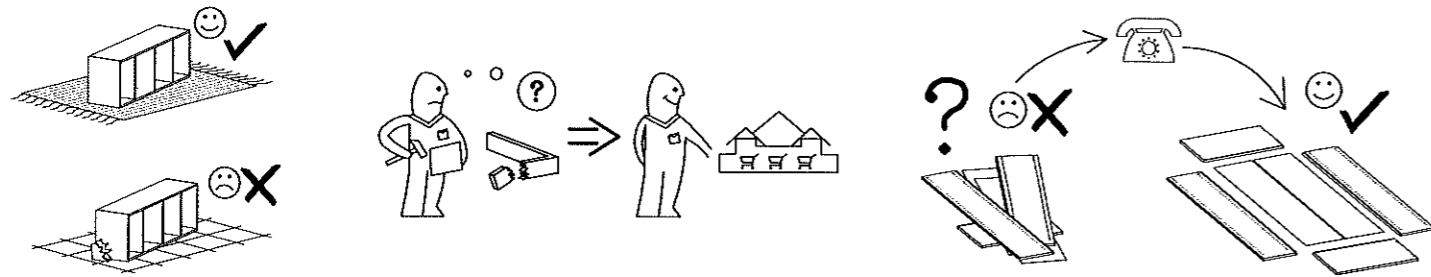


XVI



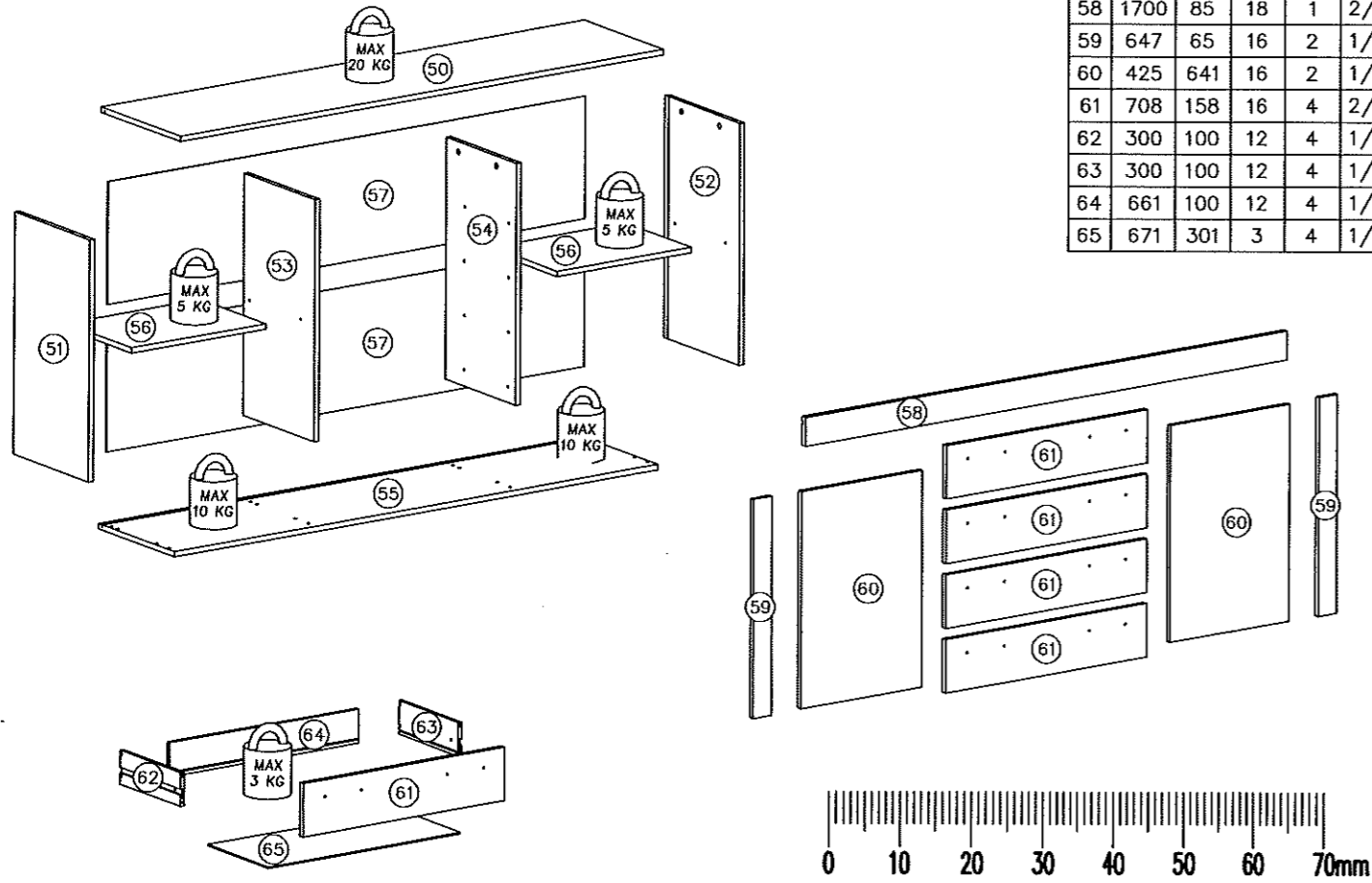
BOOM



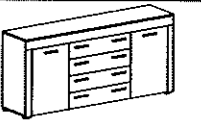


nr	L[mm]	B[mm]	T[mm]	Menge	Coll
50	1700	396	16	1	2/2
51	716	376	16	1	1/2
52	716	376	16	1	1/2
53	716	356	16	1	1/2

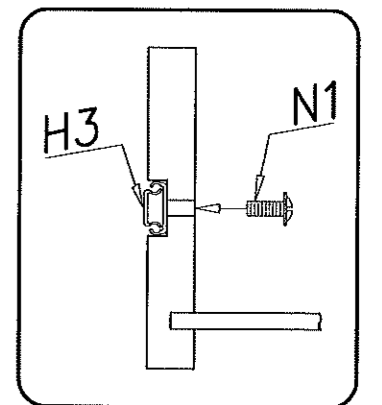
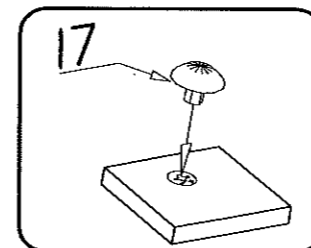
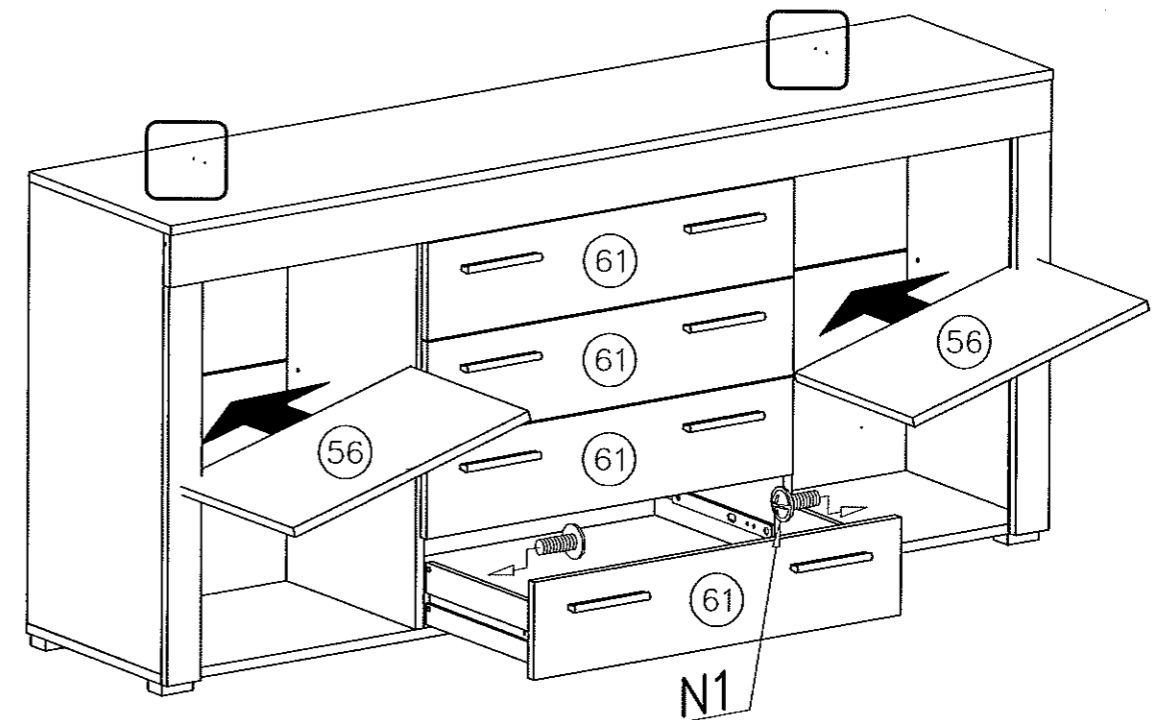
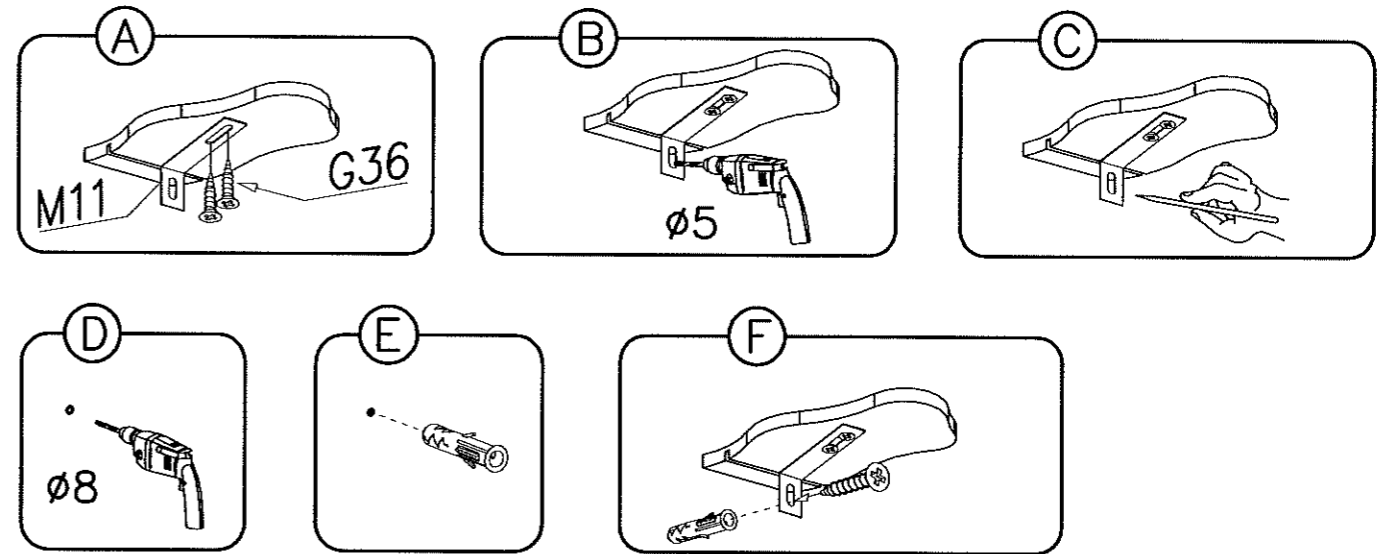
nr	L[mm]	B[mm]	T[mm]	Menge	Coll
54	716	356	16	1	1/2
55	376	1700	16	1	2/2
56	470	328	16	2	1/2
57	1678	363	3	2	2/2
58	1700	85	18	1	2/2
59	647	65	16	2	1/2
60	425	641	16	2	1/2
61	708	158	16	4	2/2
62	300	100	12	4	1/2
63	300	100	12	4	1/2
64	661	100	12	4	1/2
65	671	301	3	4	1/2



F2 x...(8)	M8 300mm x...(4)	G12 4x25 x...(12)	W2 x...(1)	A1 ø7x50 x...(8)
N1 M4x9 x...(8)	H3 280mm x...(8)	P15 x...(6)	M19 x...(2)	A6 ø7x40 x...(16)
G46 6x8 x...(16)	G28 4x60 x...(2)	M11 x...(2)	F12 x...(10)	U6 ø8x40 x...(2)
K1 ø15x12 x...(8)	G8 4x30 x...(20)	G2 3x20 x...(16)	D5 PZ35R0 x...(4)	W1 GLUE, LEIM, LEPIÐLA, LIJ x...(2)
K5 x...(8)	B1 ø8x35 x...(16)	I7 x...(8)	C5 Z35R0 x...(4)	E1 128mm x...(10)
				S1 1665mm x...(1)

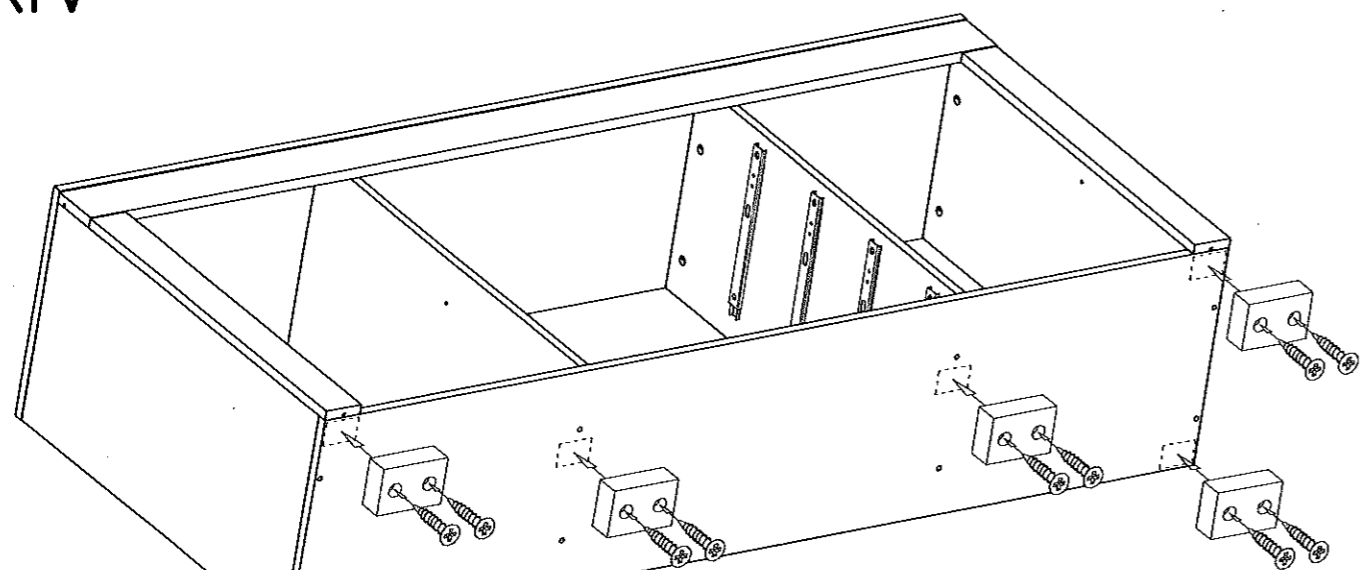


XV

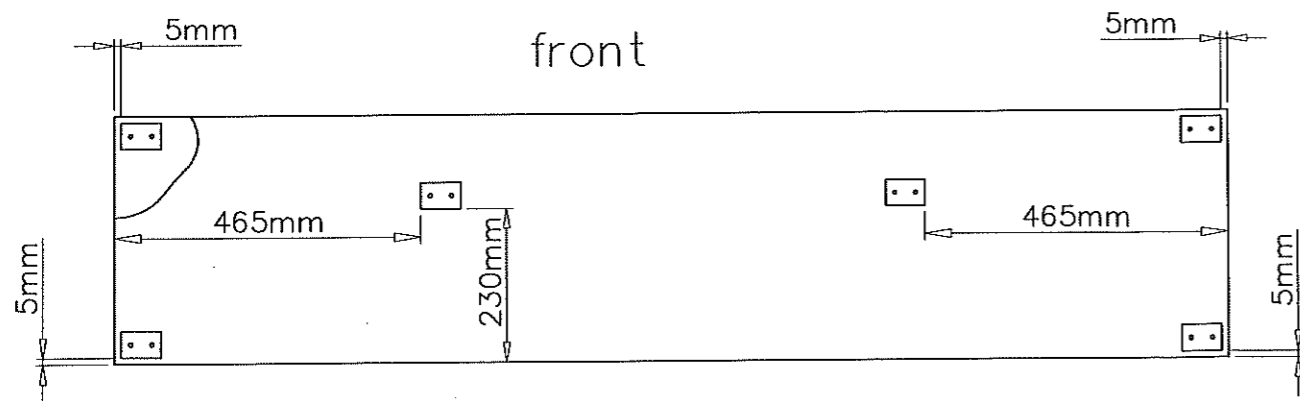
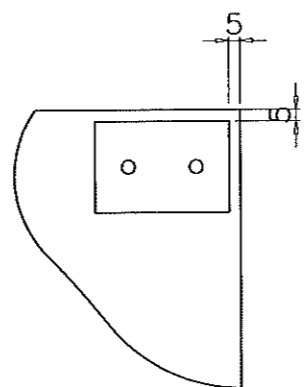




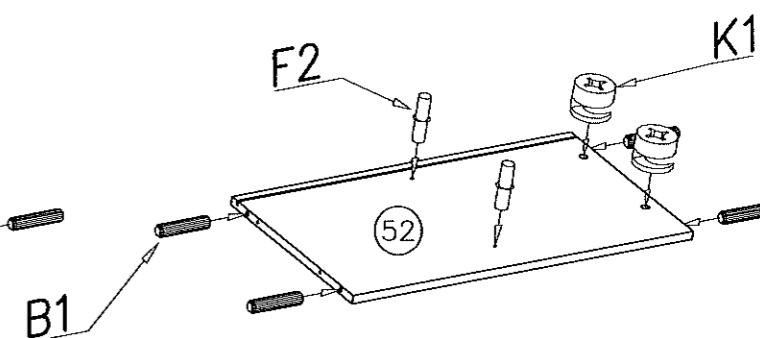
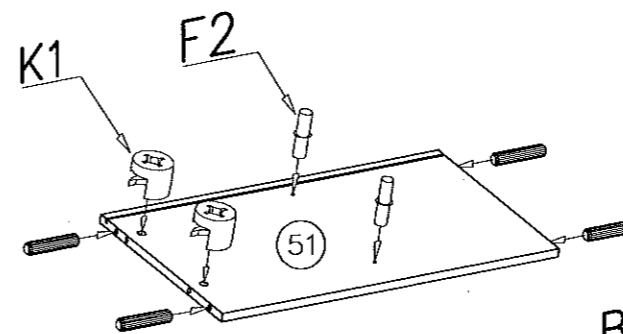
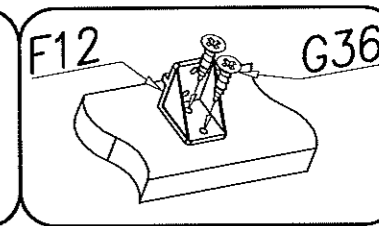
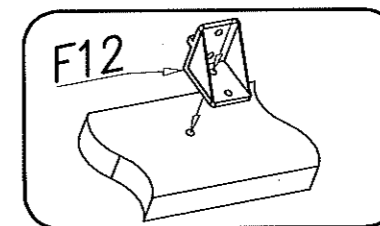
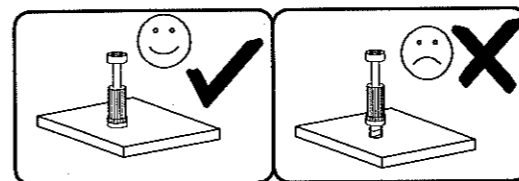
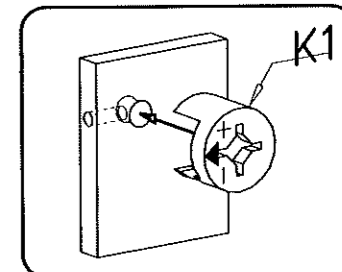
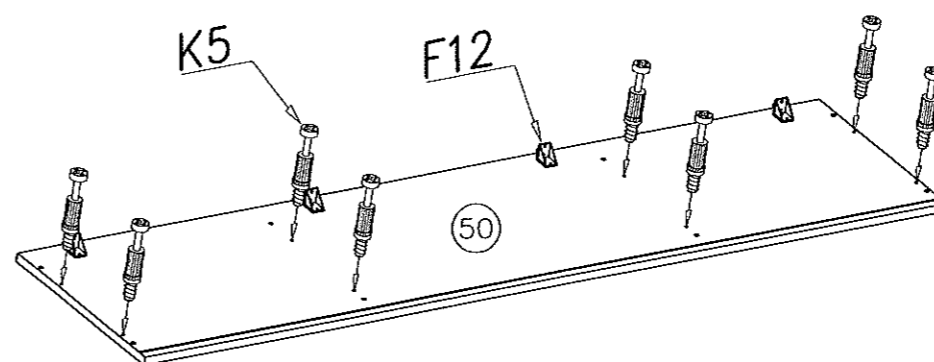
XIV



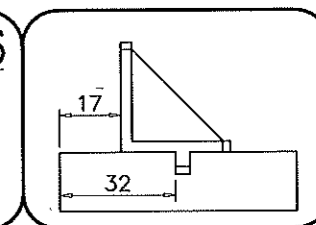
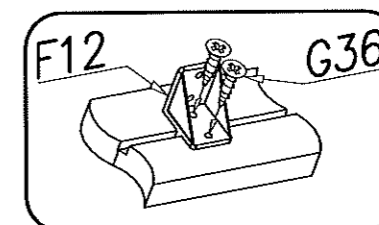
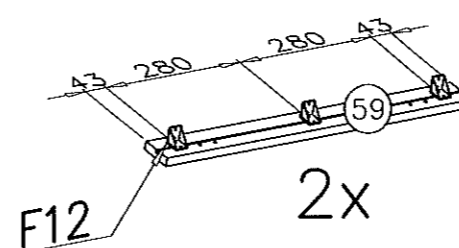
P15 G12



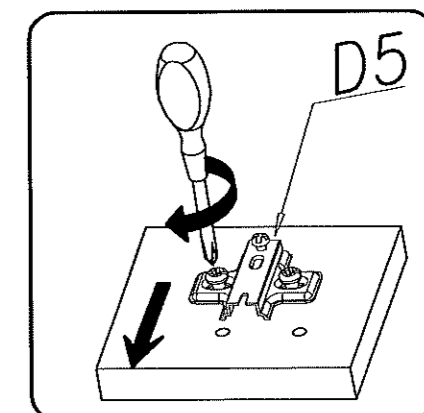
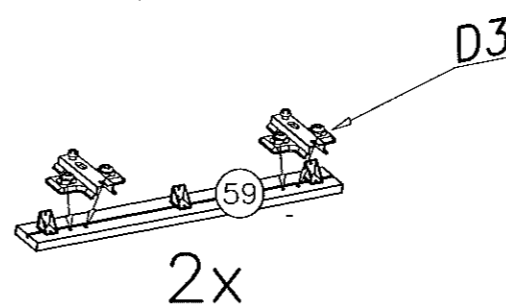
I

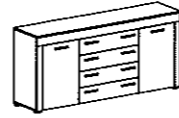


II

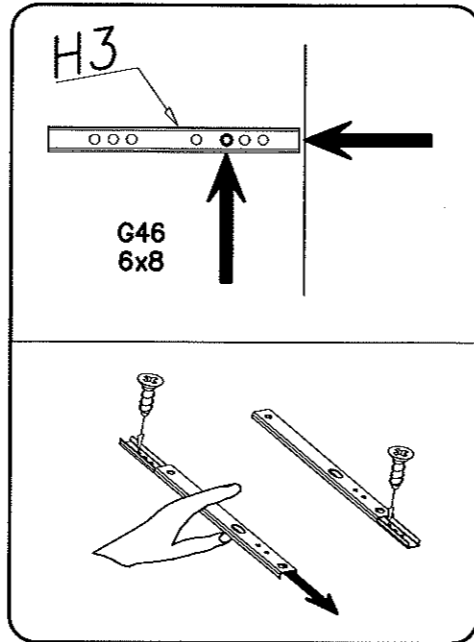
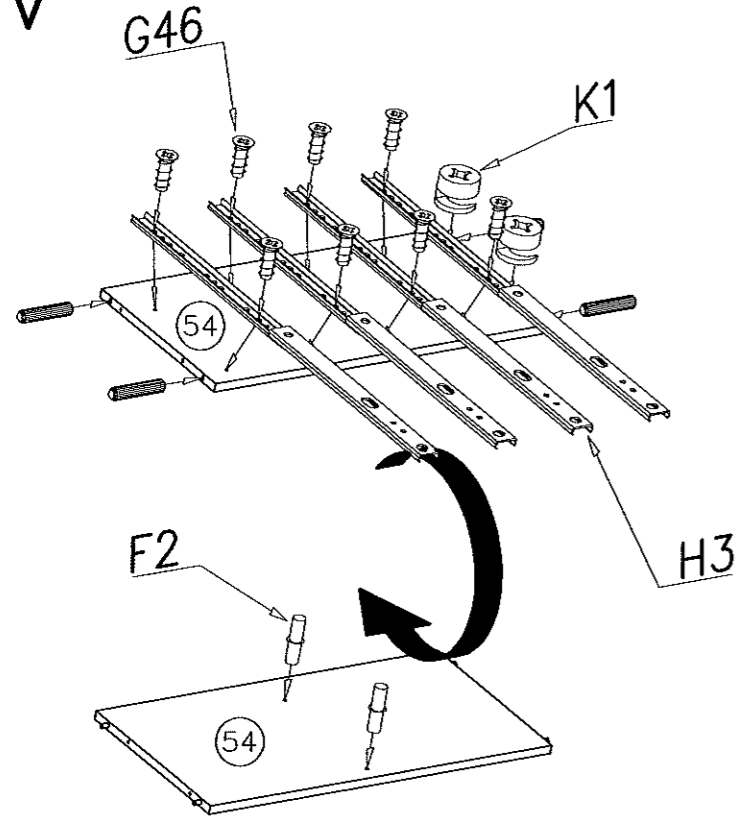


III

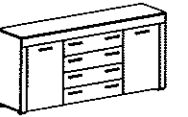
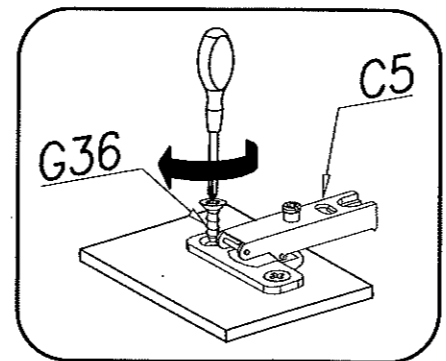
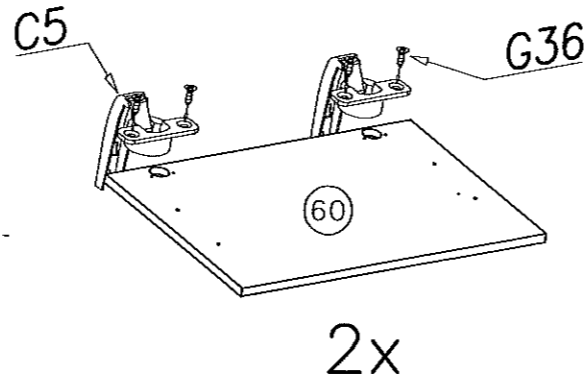
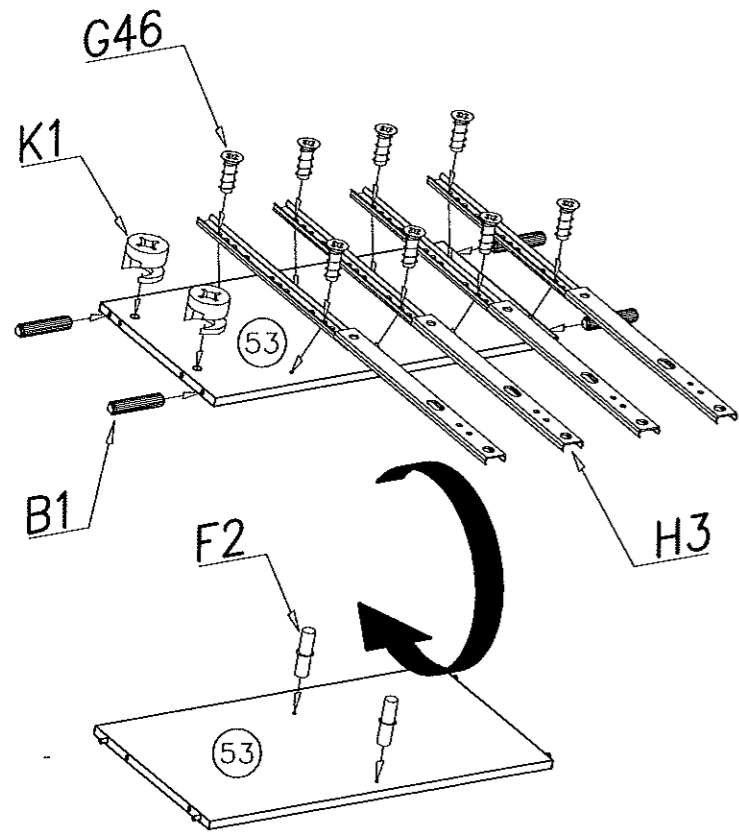




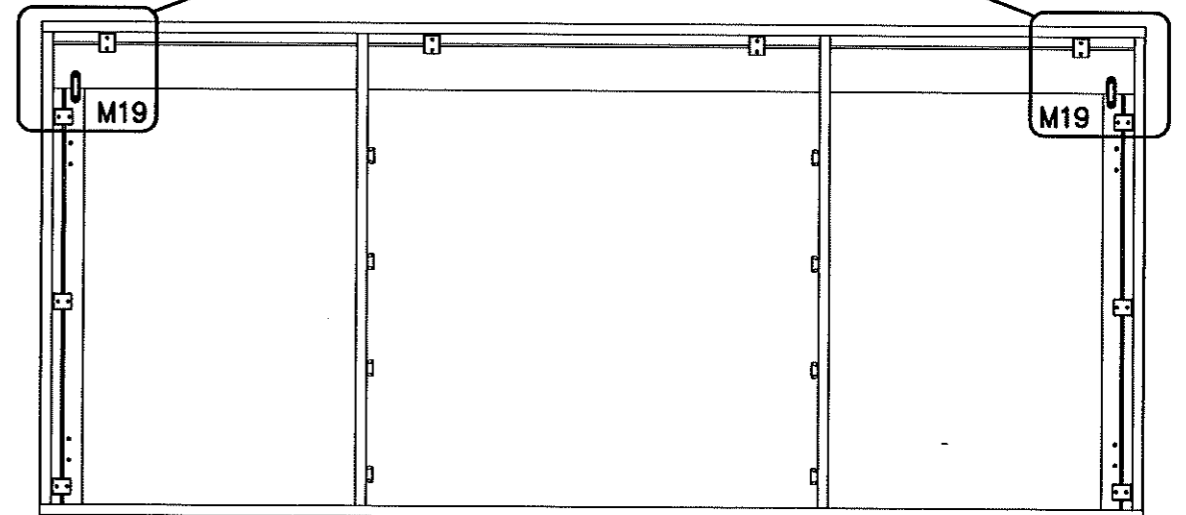
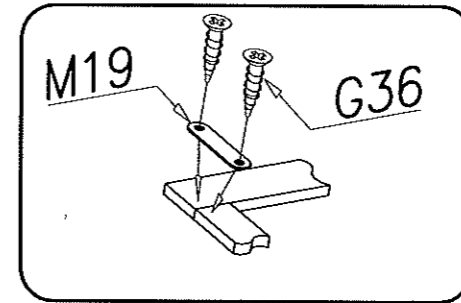
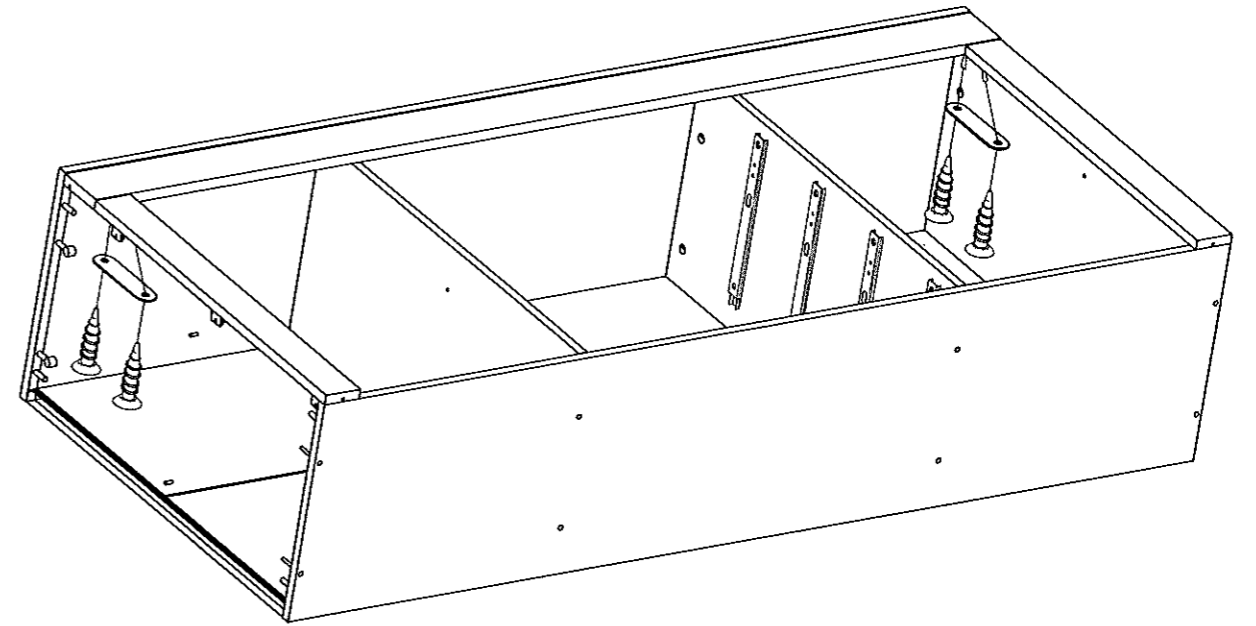
IV



V

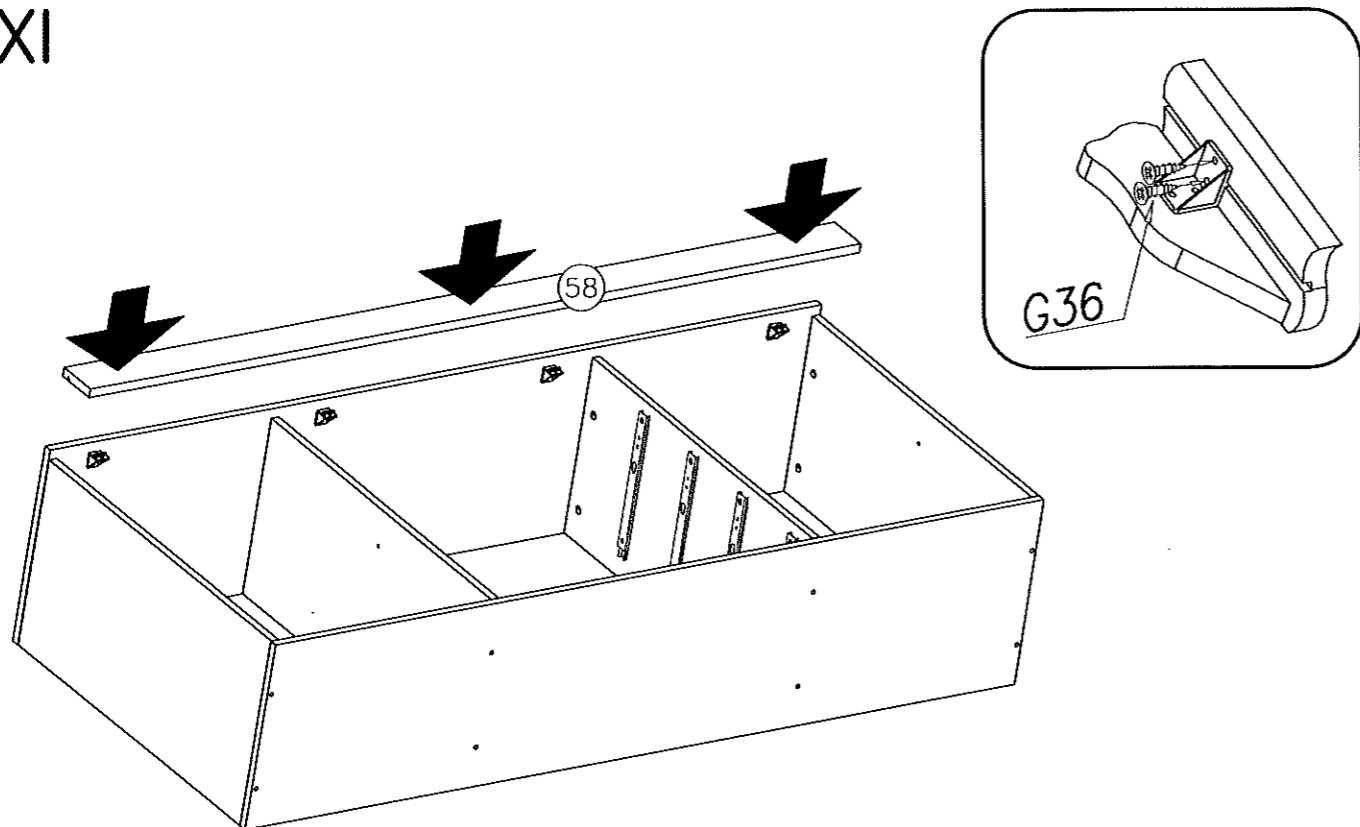


XIII

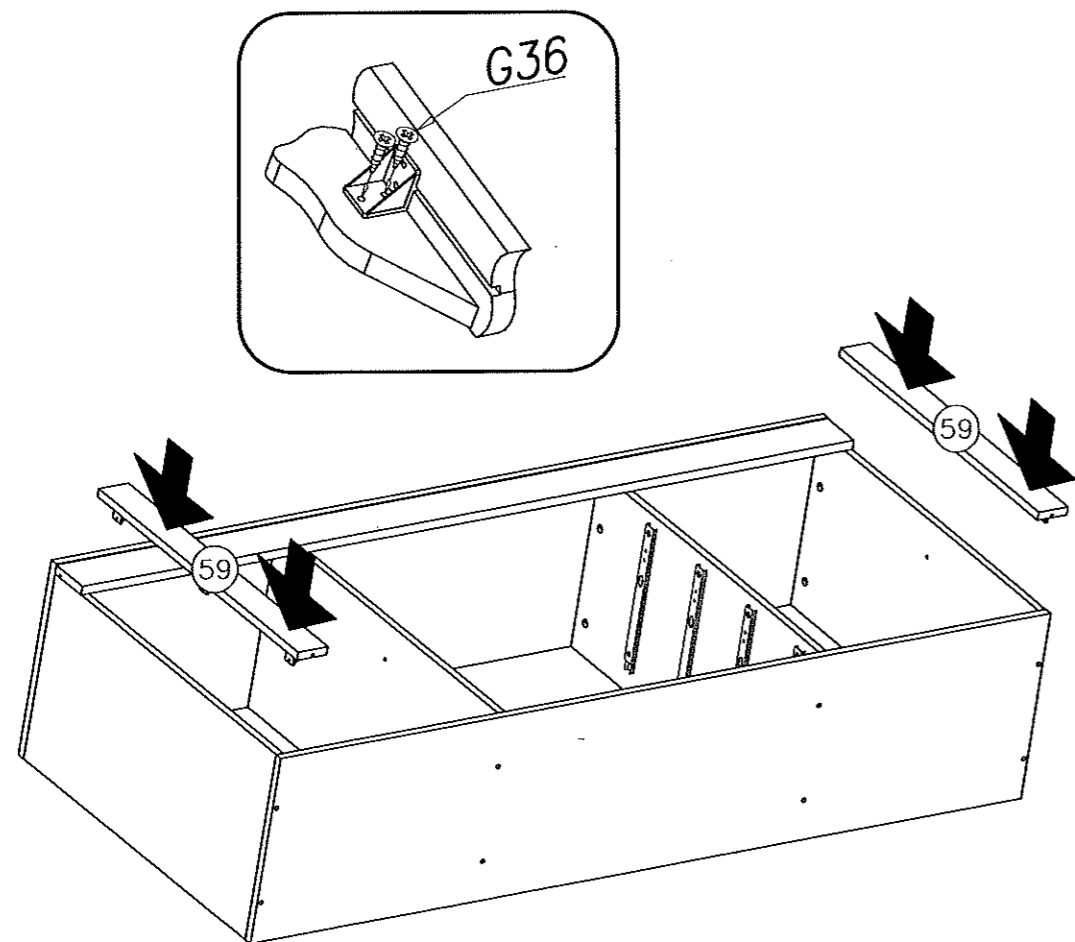




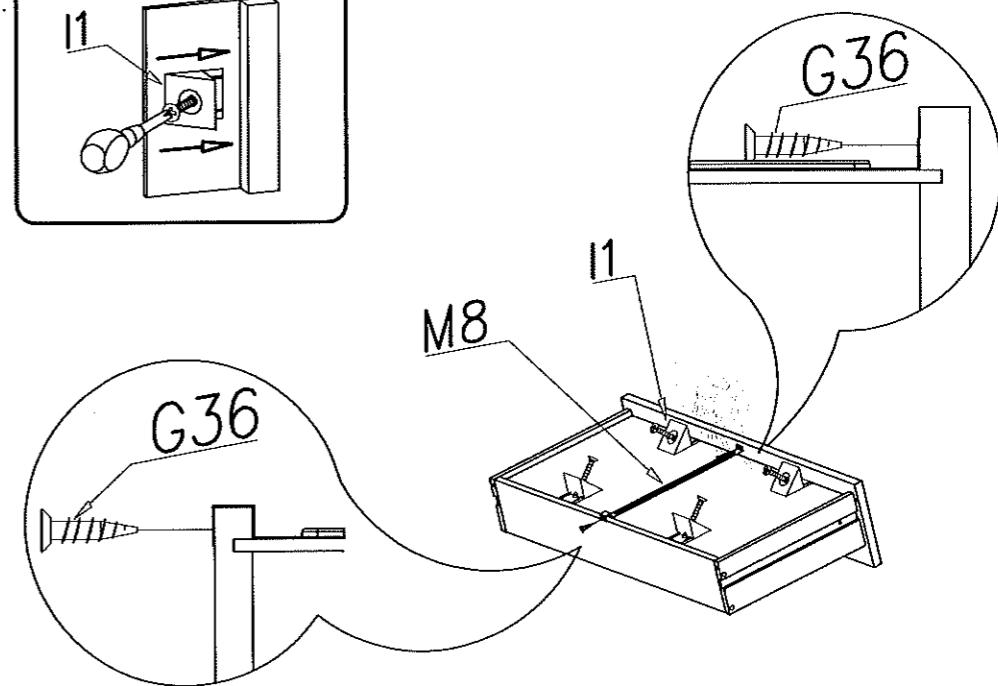
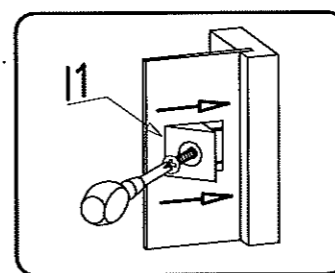
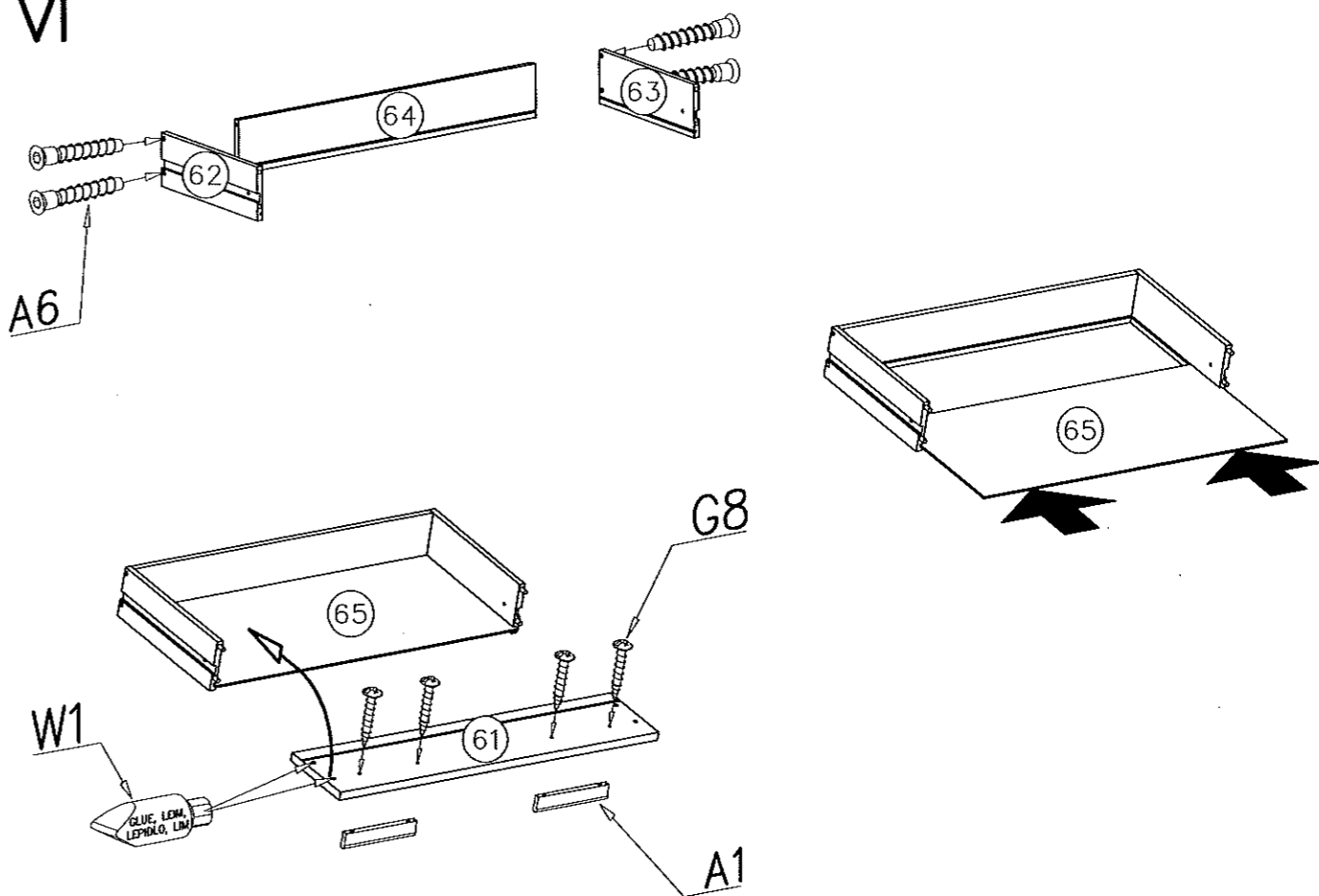
XI

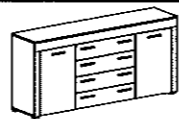


XII

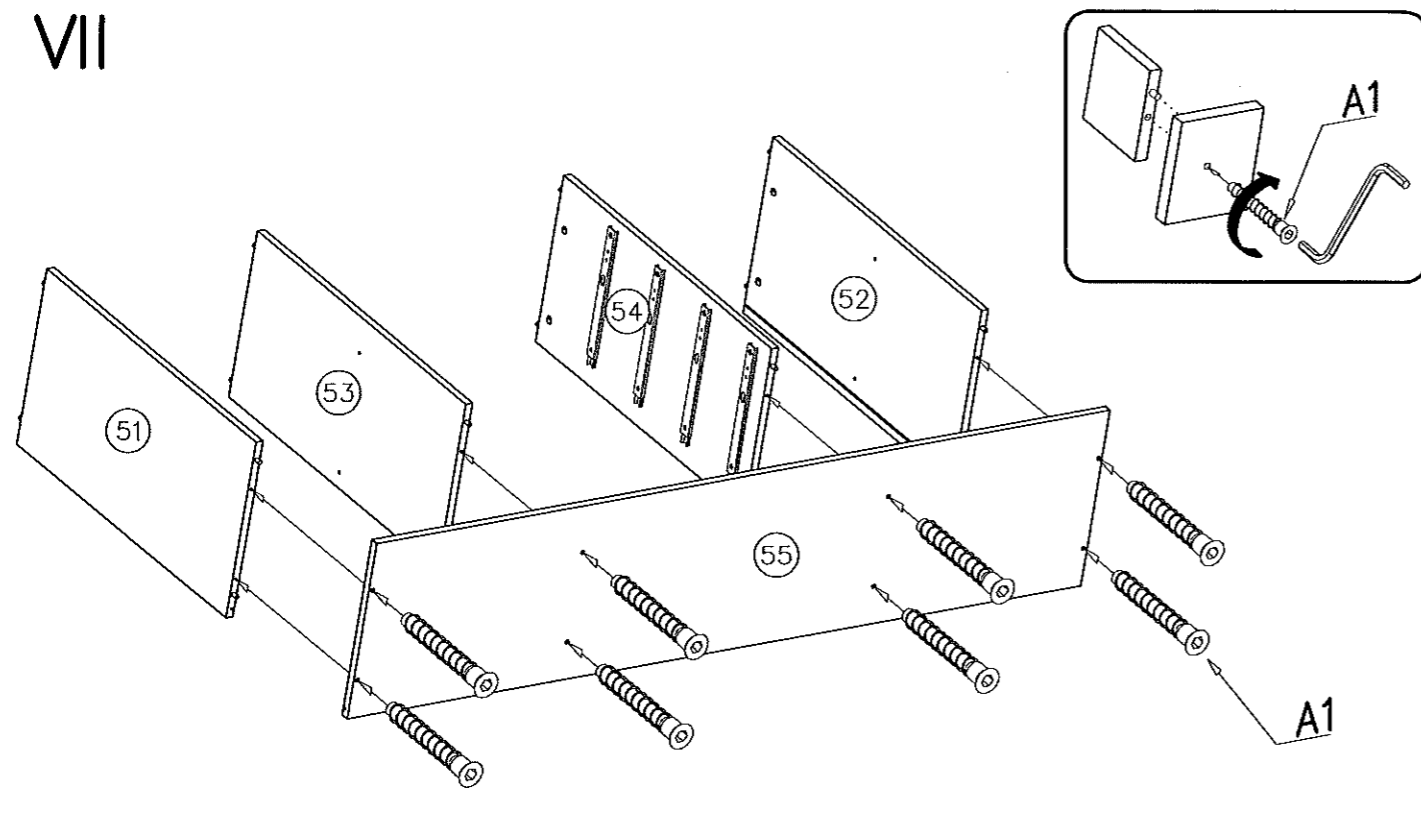


VI

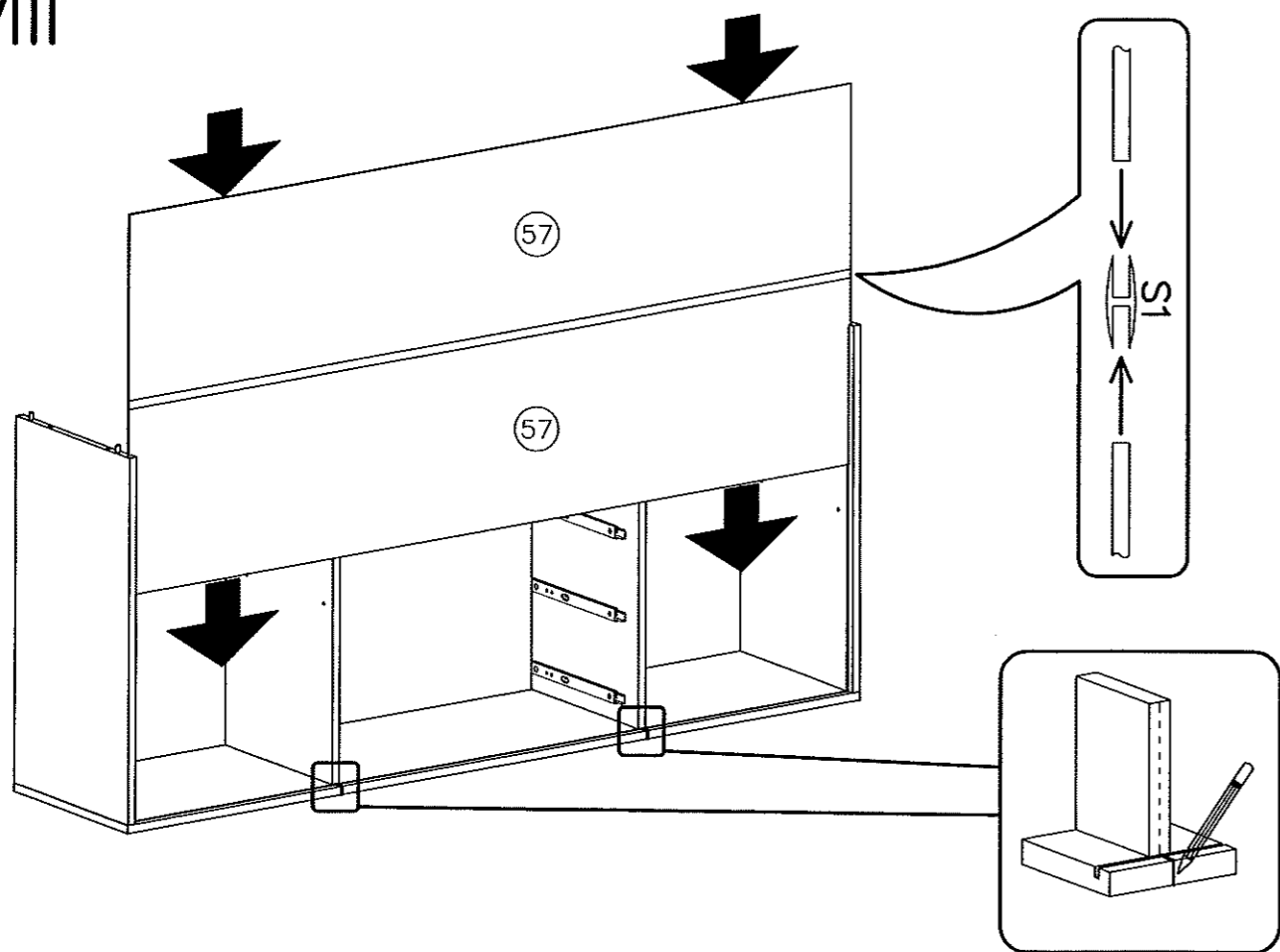




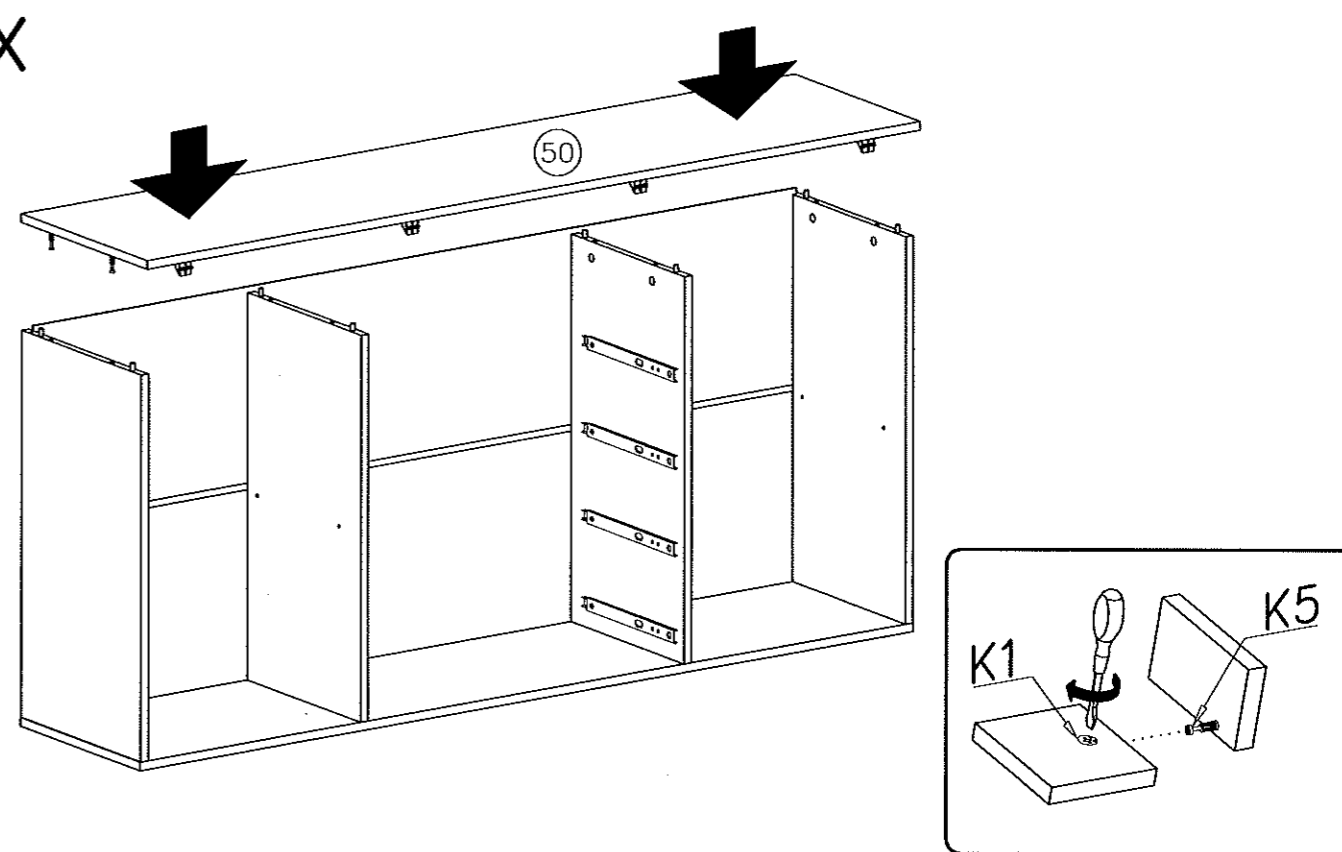
VII



VIII



IX



X

