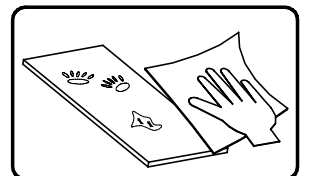
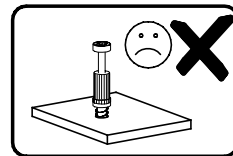
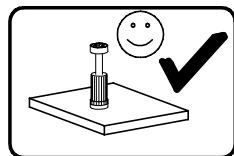
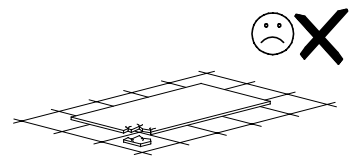
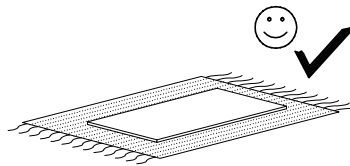
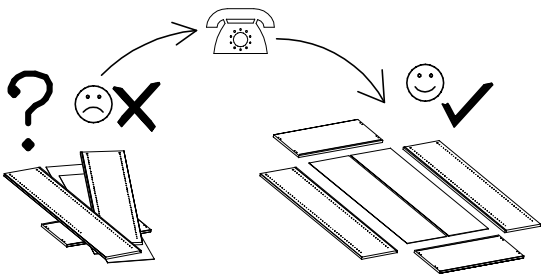
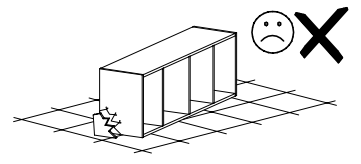
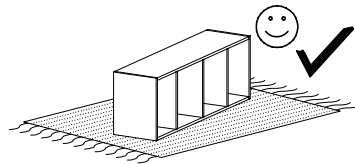
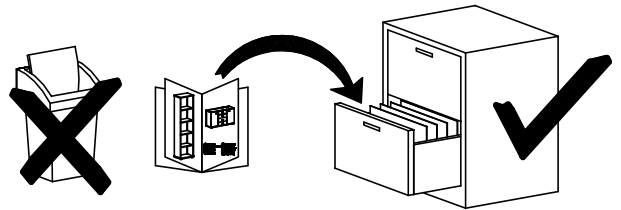
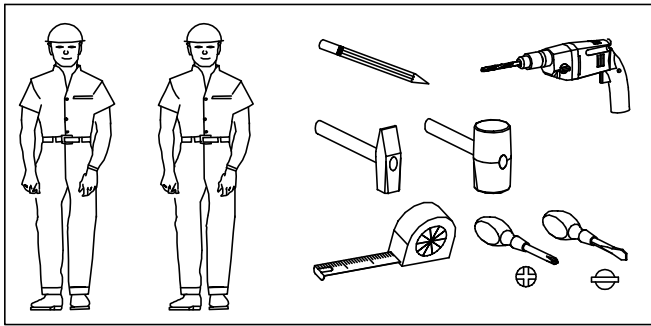
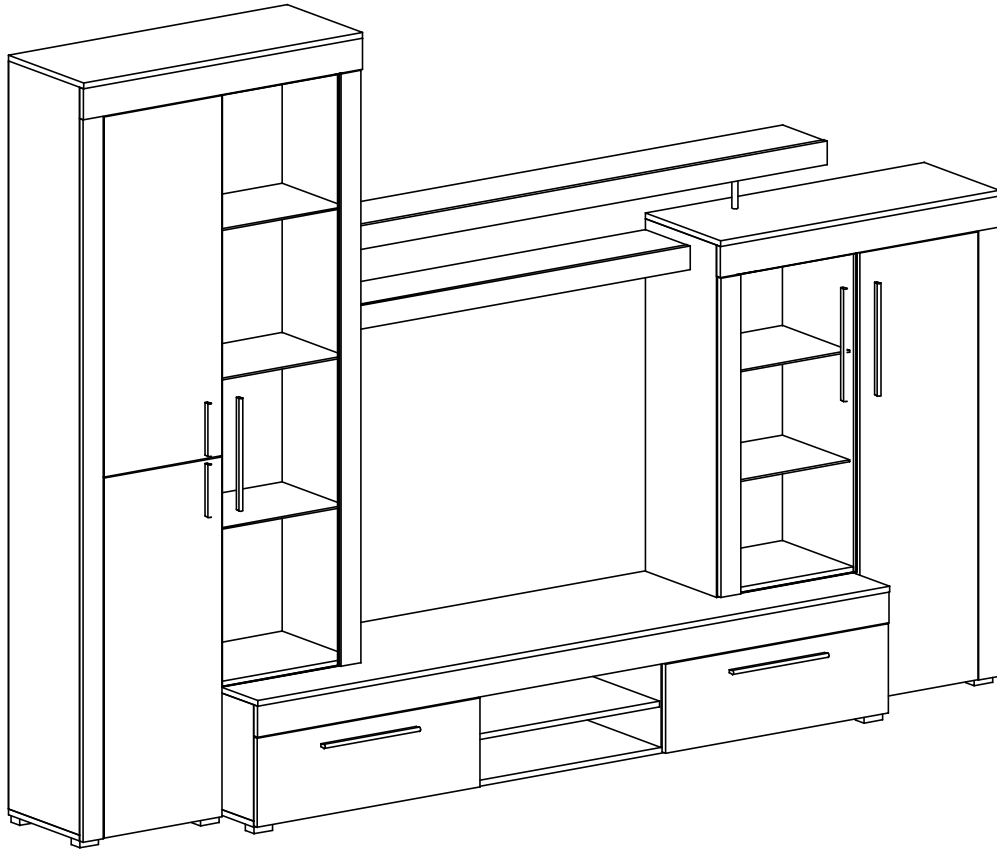
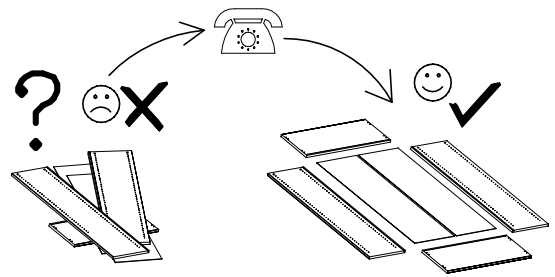
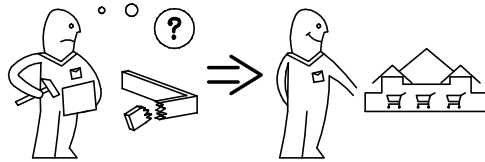
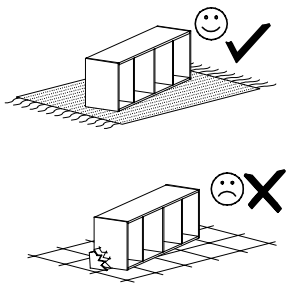
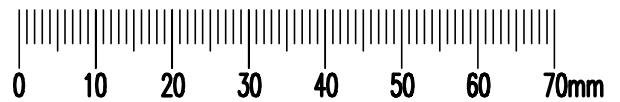
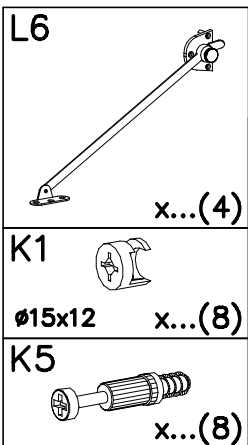
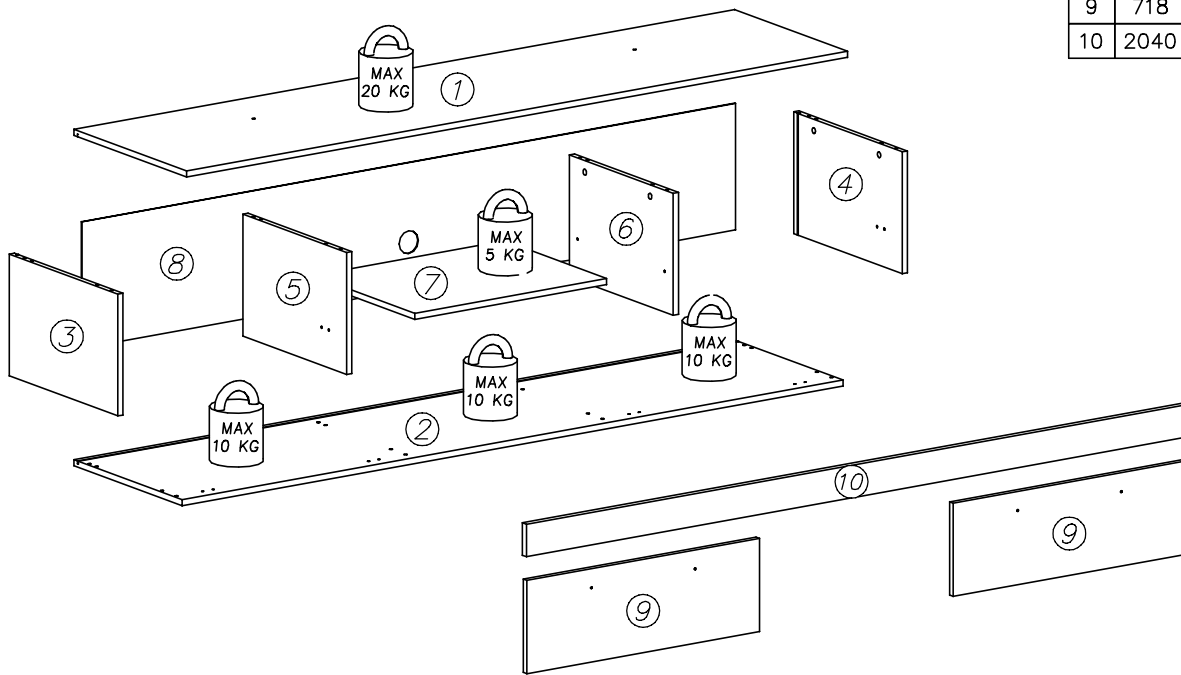


BOOM - LONDON

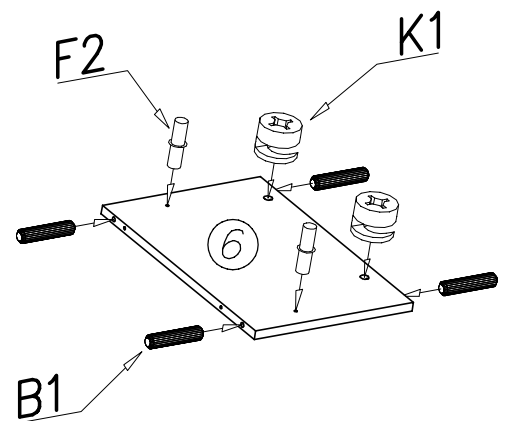
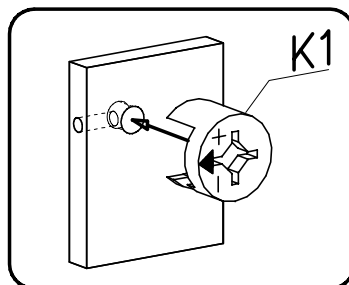
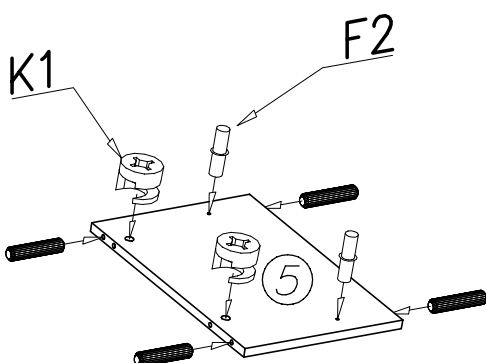
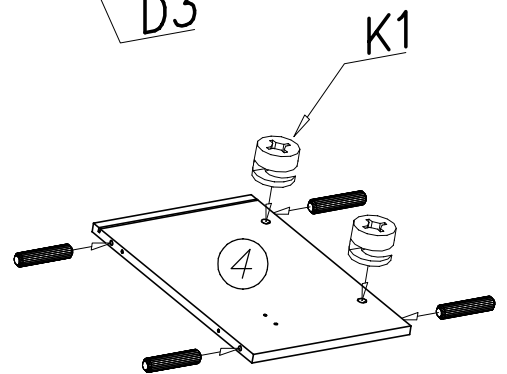
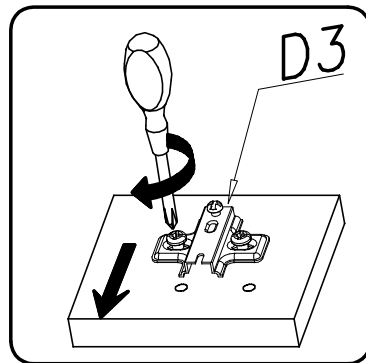
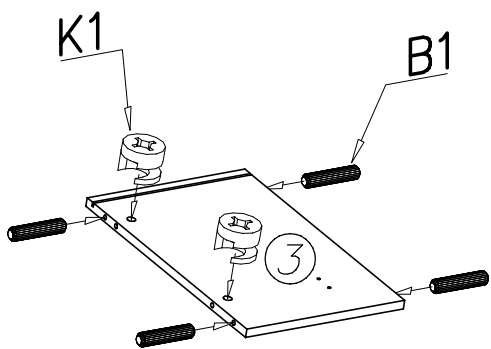
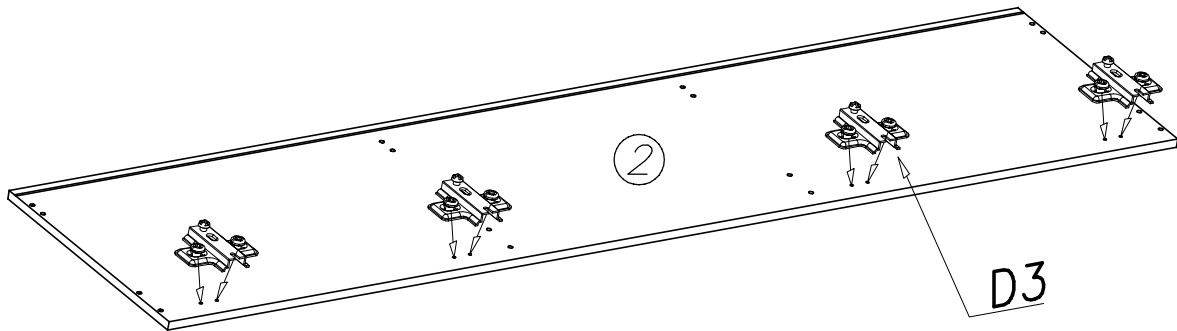
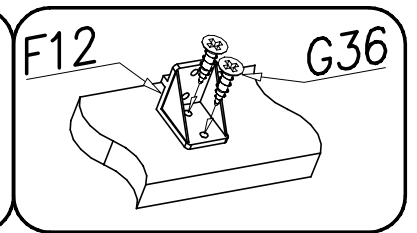
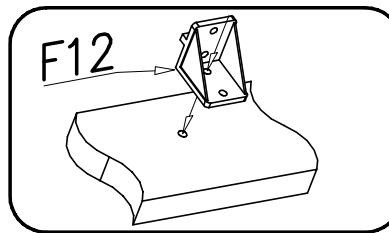
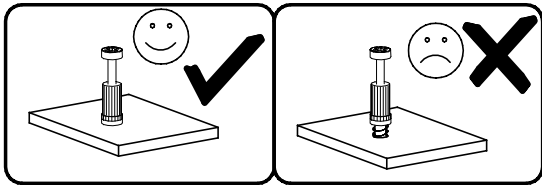
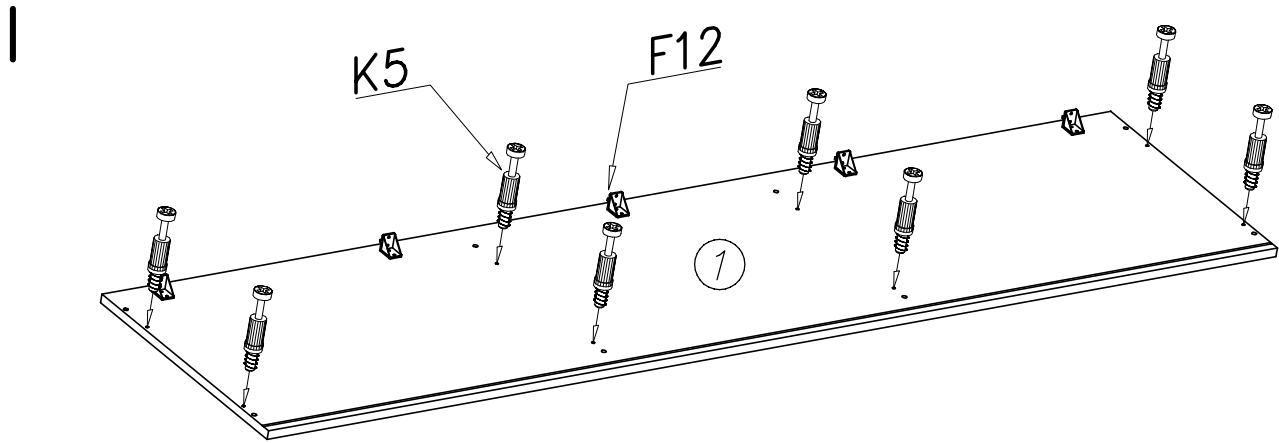
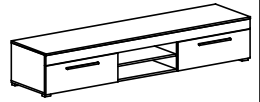


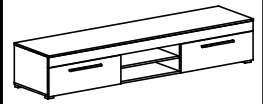


nr	L[mm]	B[mm]	T[mm]	Menge	Colli
1	2040	498	16	1	5/5
2	2040	478	16	1	5/5
3	319	478	16	1	5/5
4	319	478	16	1	5/5
5	319	458	16	1	5/5
6	319	458	16	1	5/5
7	592	450	16	1	5/5
8	2018	331	3	1	5/5
9	718	244	16	2	5/5
10	2040	85	18	1	5/5

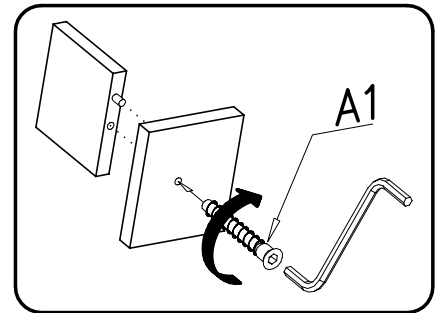
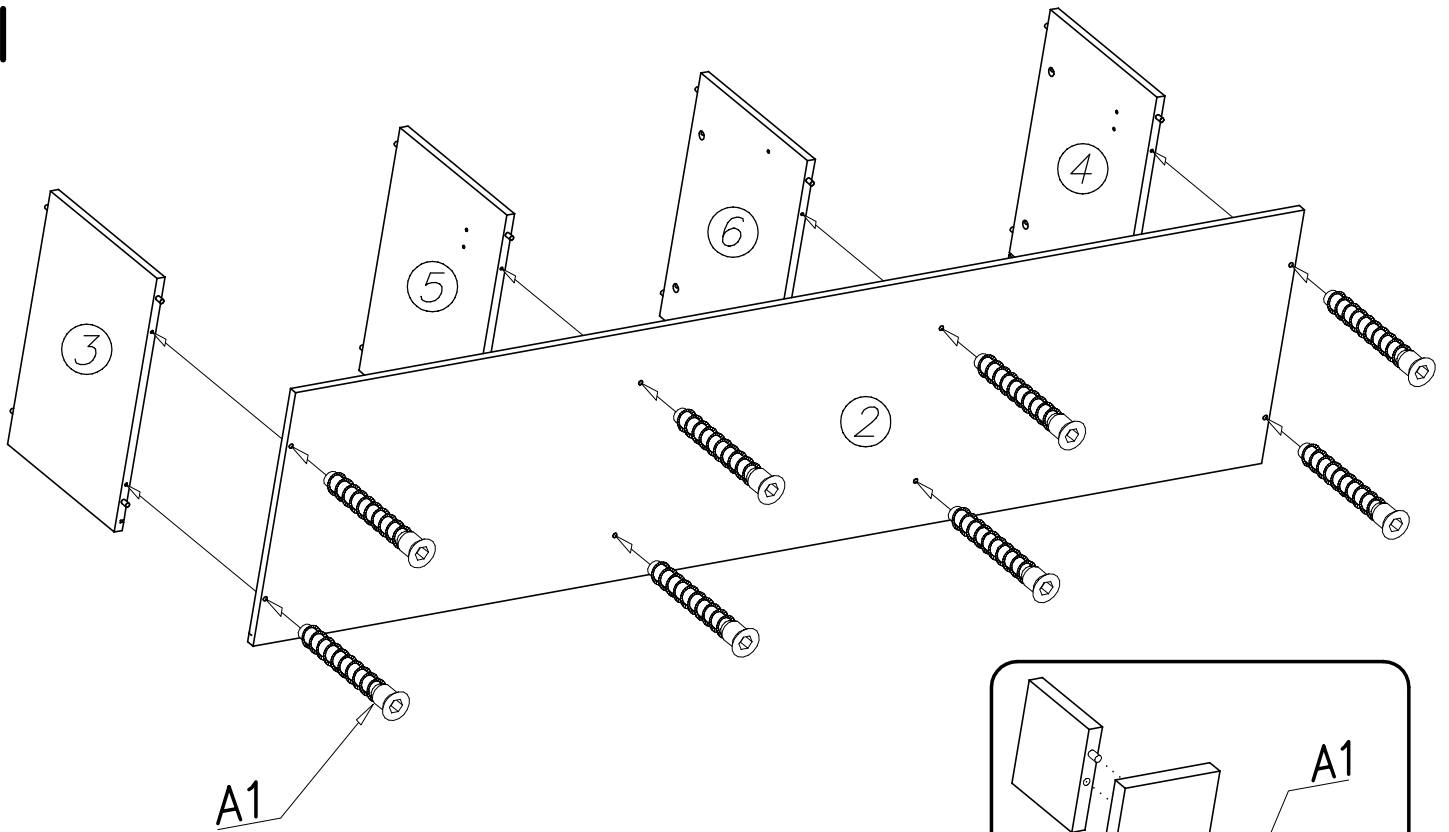


<p>K1</p> <p>∅15x12 x...(8)</p>	<p>K5</p> <p>x...(8)</p>	<p>C3</p> <p>Z35PR x...(4)</p>	<p>G8</p> <p>4x30 x...(4)</p>	<p>D3</p> <p>PZ35PR x...(4)</p>	<p>G21</p> <p>3x16 x...(18)</p>	<p>G12</p> <p>4x25 x...(12)</p>	<p>W2</p> <p>x...(1)</p>	<p>F2</p> <p>x...(4)</p>	<p>G36</p> <p>3,5x13 x...(40)</p>	<p>I1</p> <p>x...(10)</p>	<p>B1</p> <p>∅8x35 x...(16)</p>	<p>I7</p> <p>x...(8)</p>	<p>F12</p> <p>x...(5)</p>	<p>E25</p> <p>320mm x...(2)</p>	<p>A1</p> <p>∅7x50 x...(8)</p>
--	---------------------------------	---------------------------------------	--------------------------------------	--	--	--	---------------------------------	---------------------------------	--	----------------------------------	--	---------------------------------	----------------------------------	--	---------------------------------------

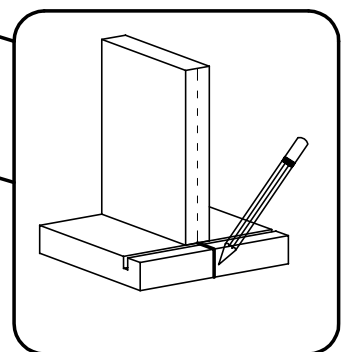
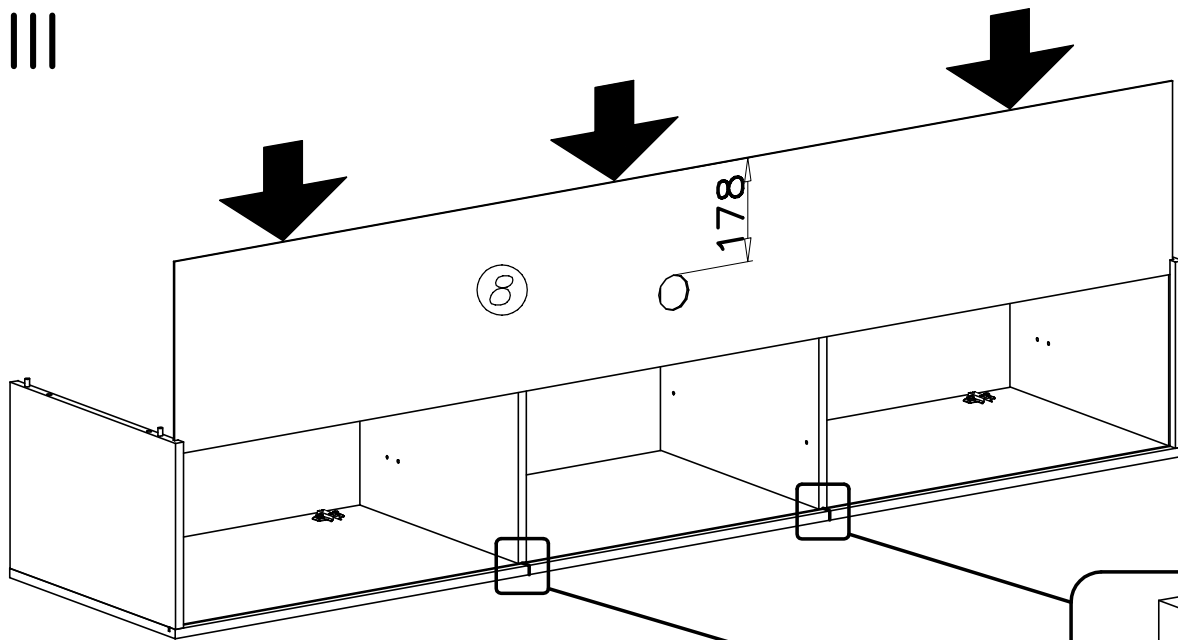


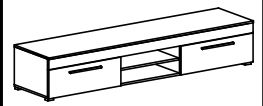


II

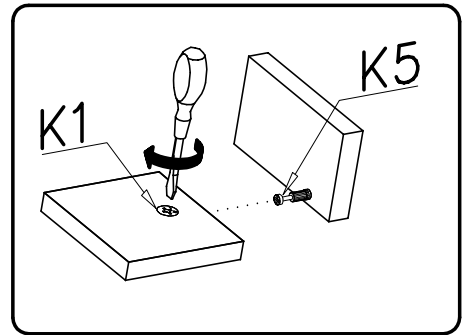
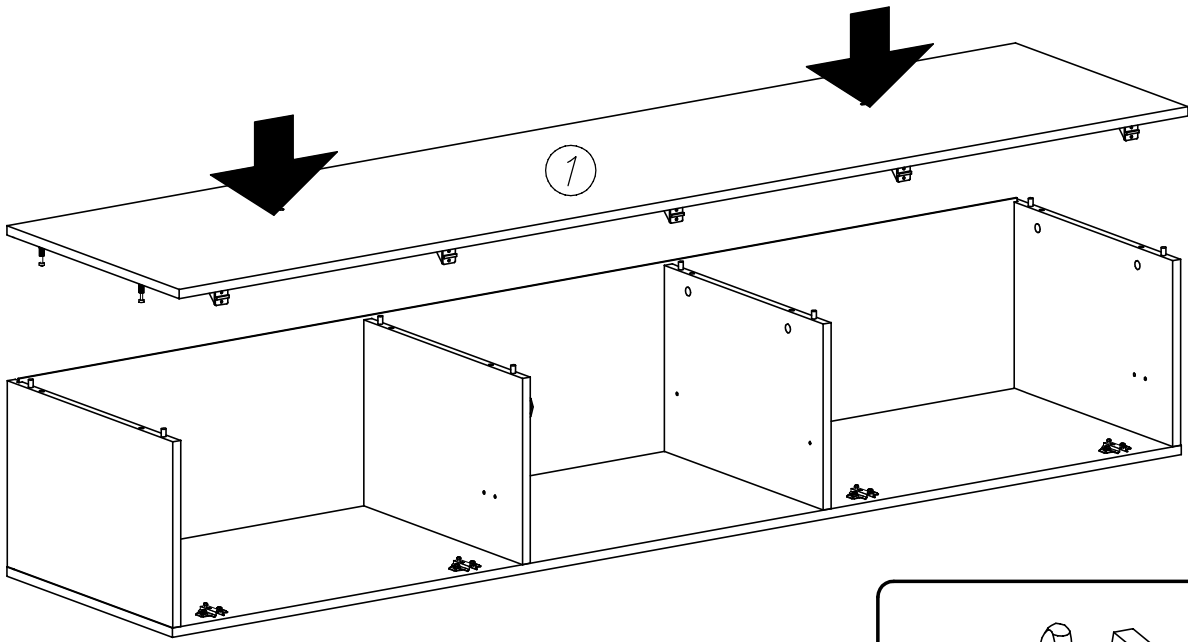


III

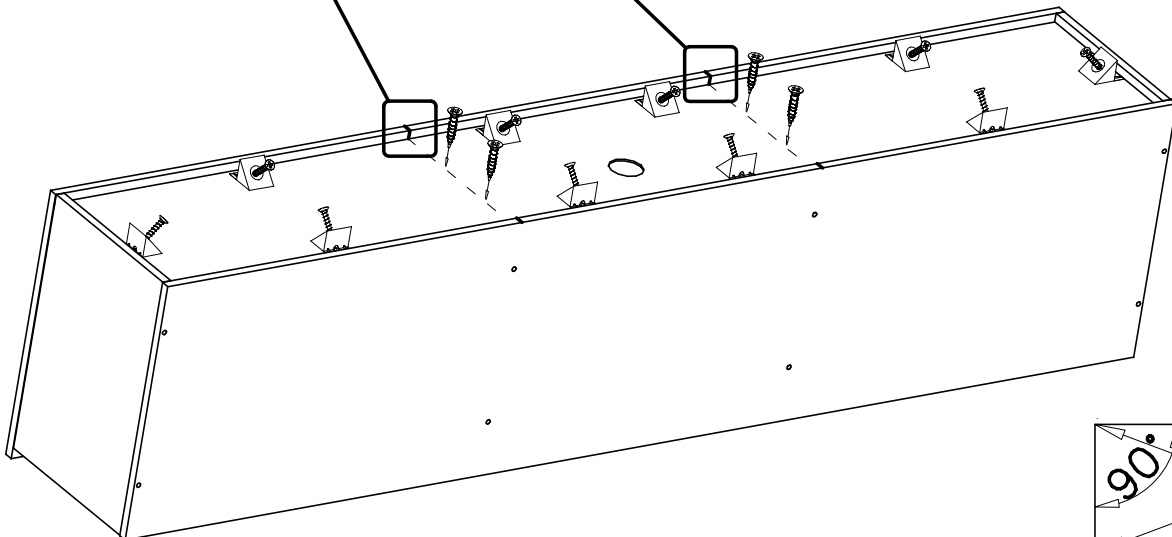
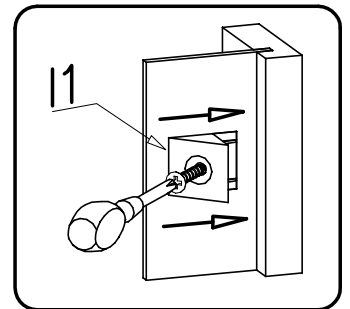
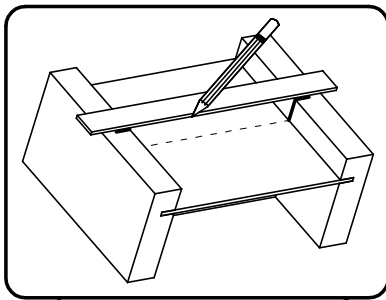




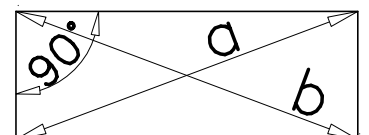
IV

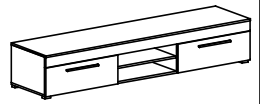


V

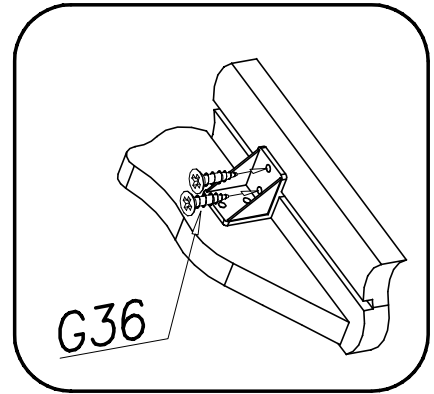
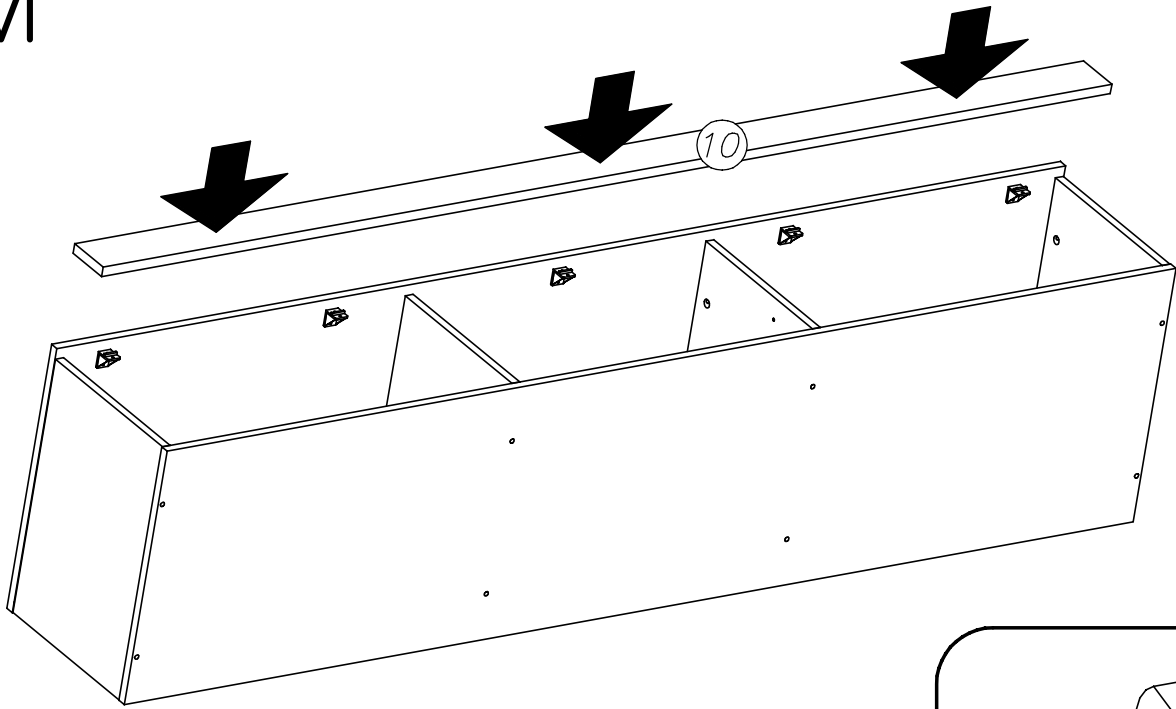


$a=b$

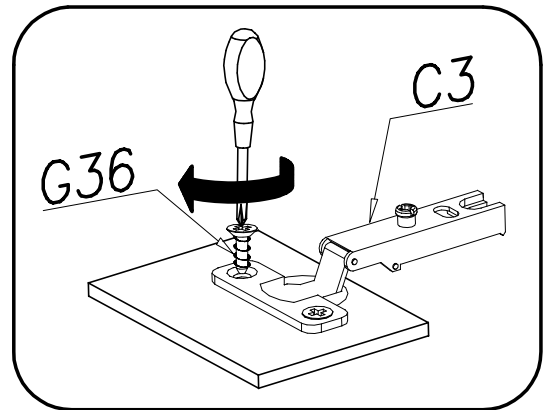
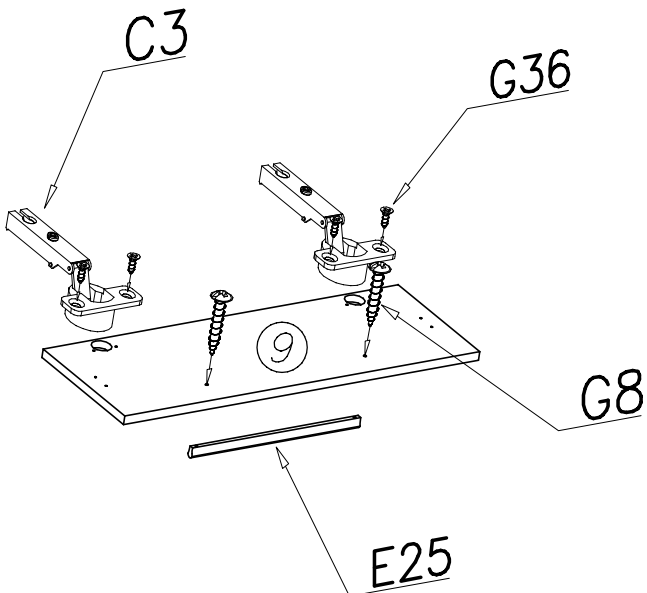


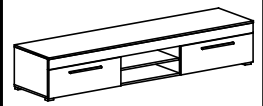


VI

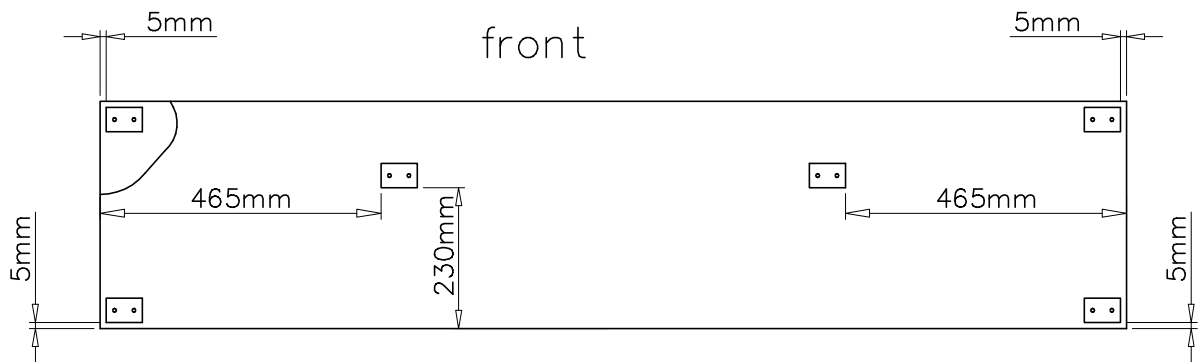
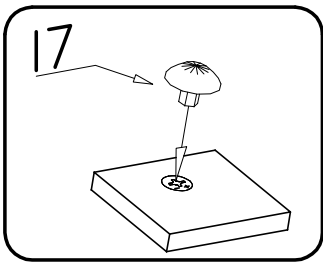
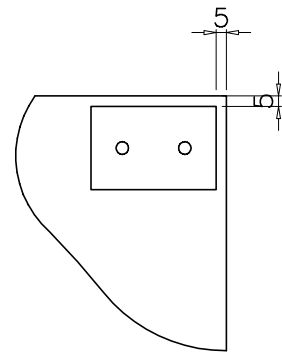
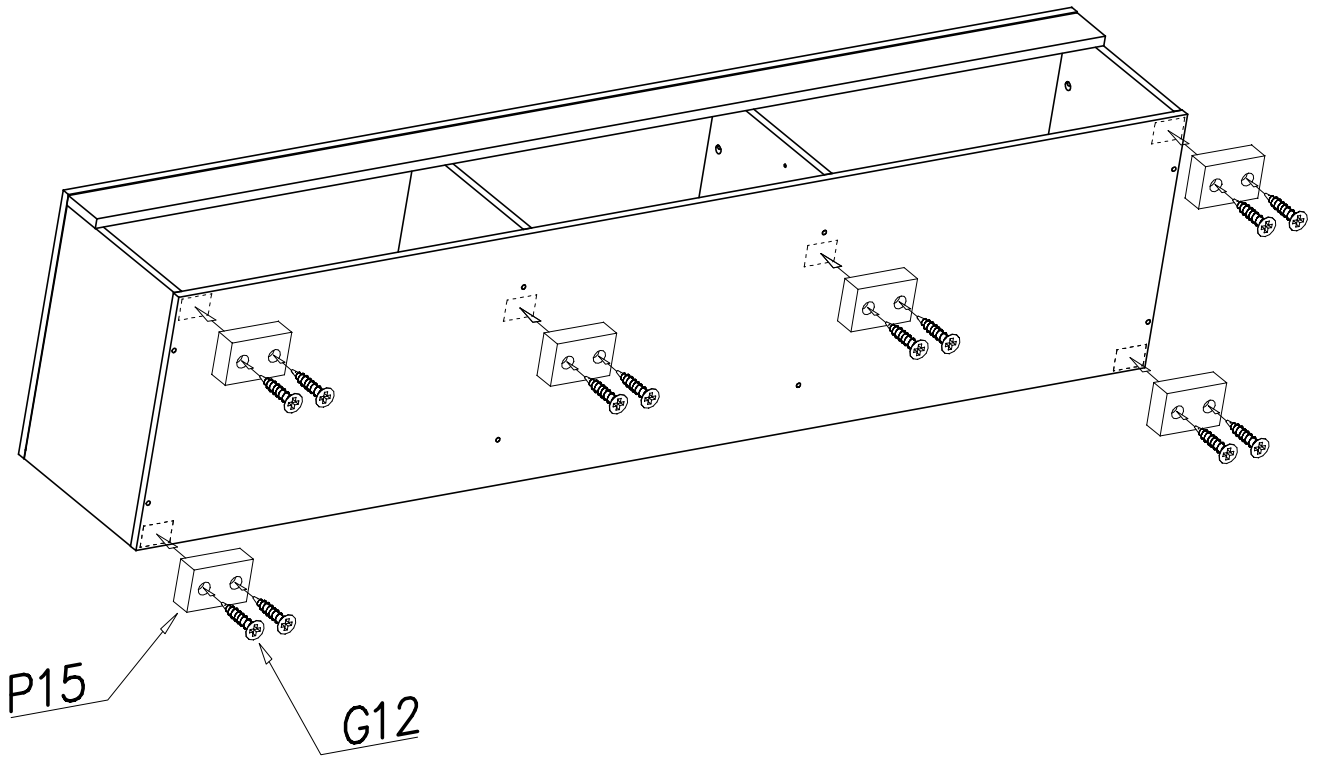


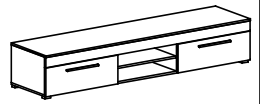
VII



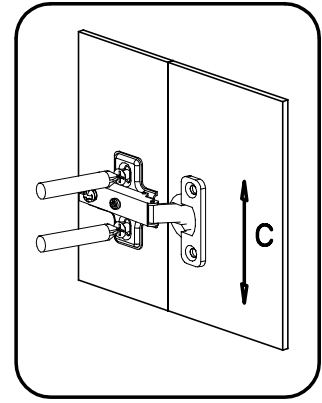
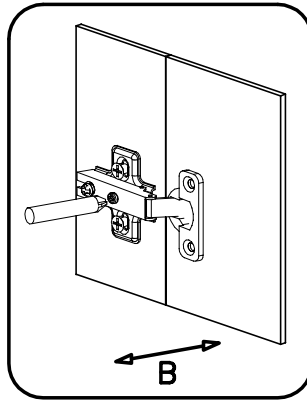
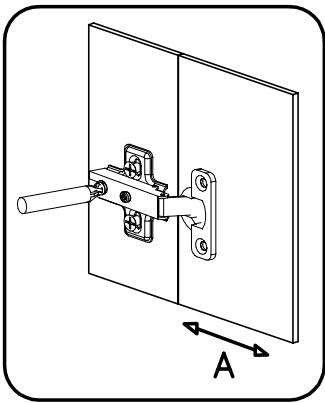
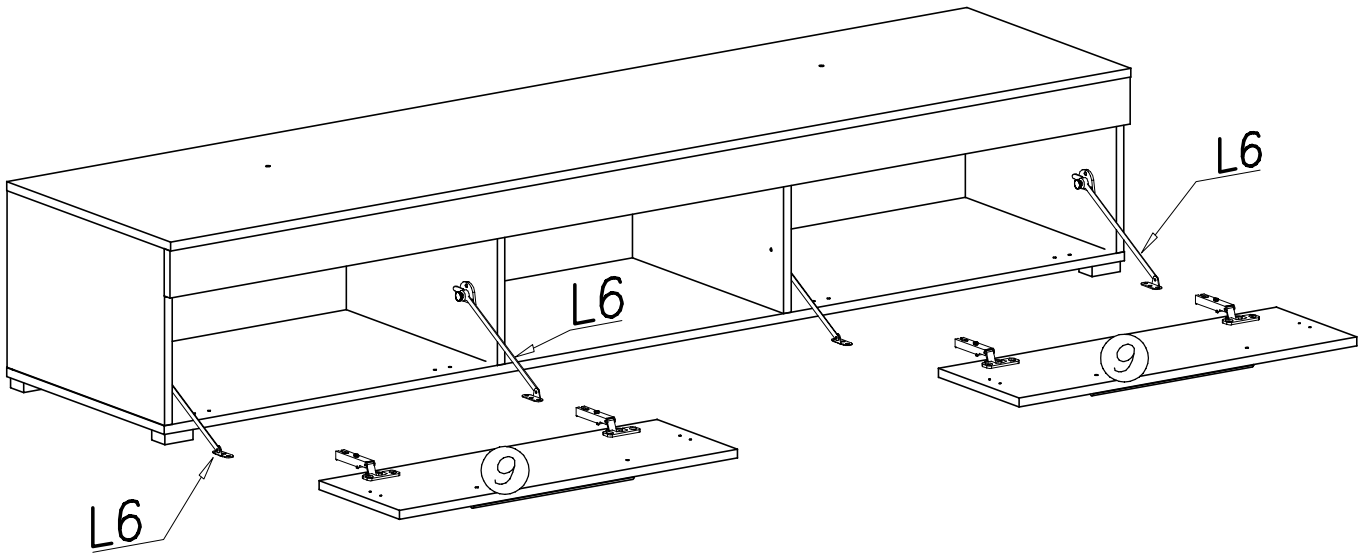
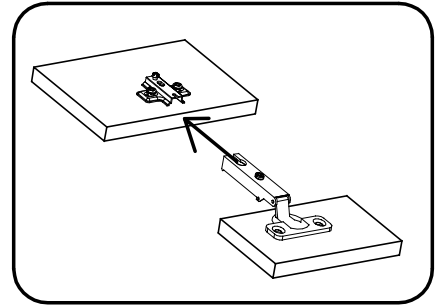
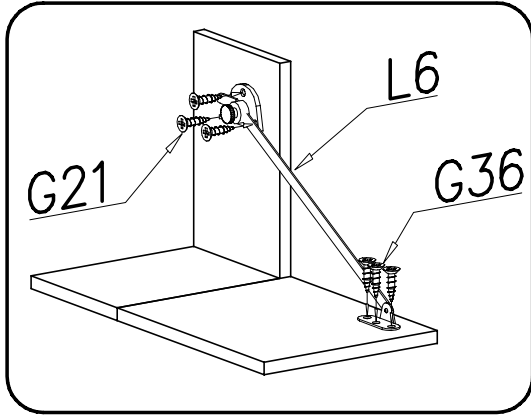


VIII

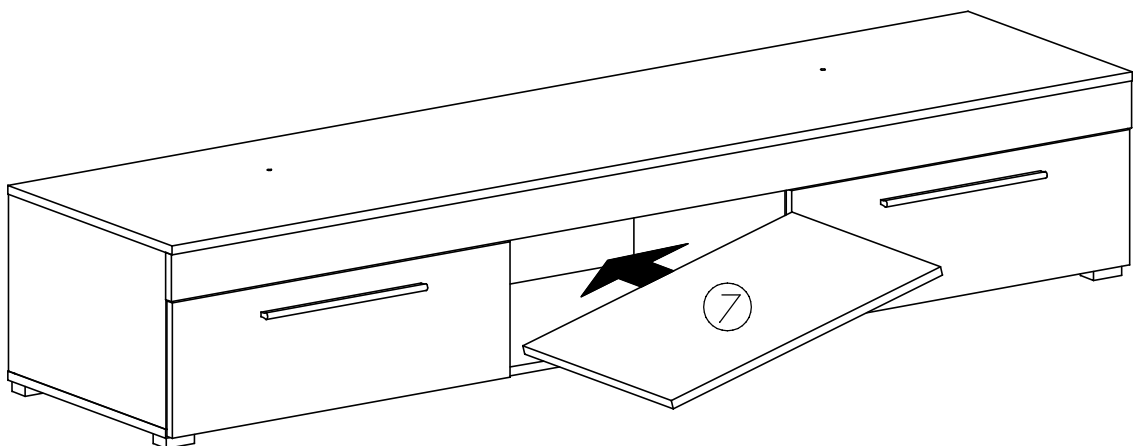


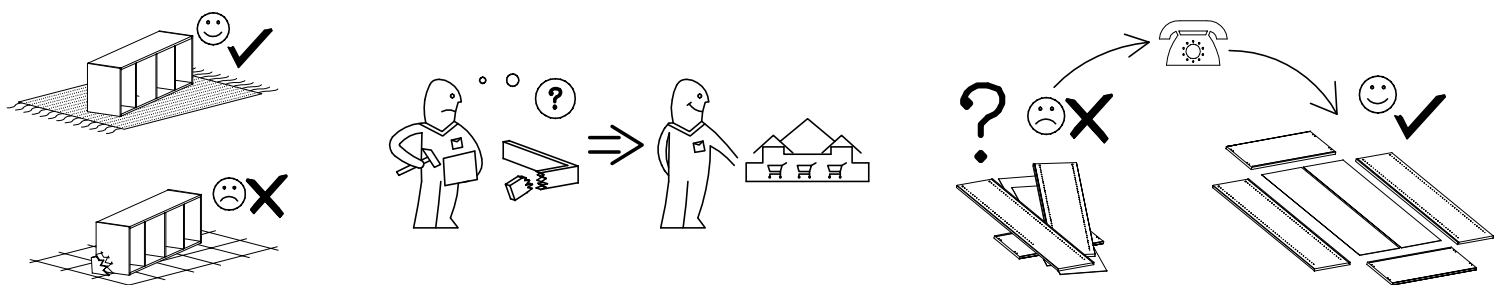


IX



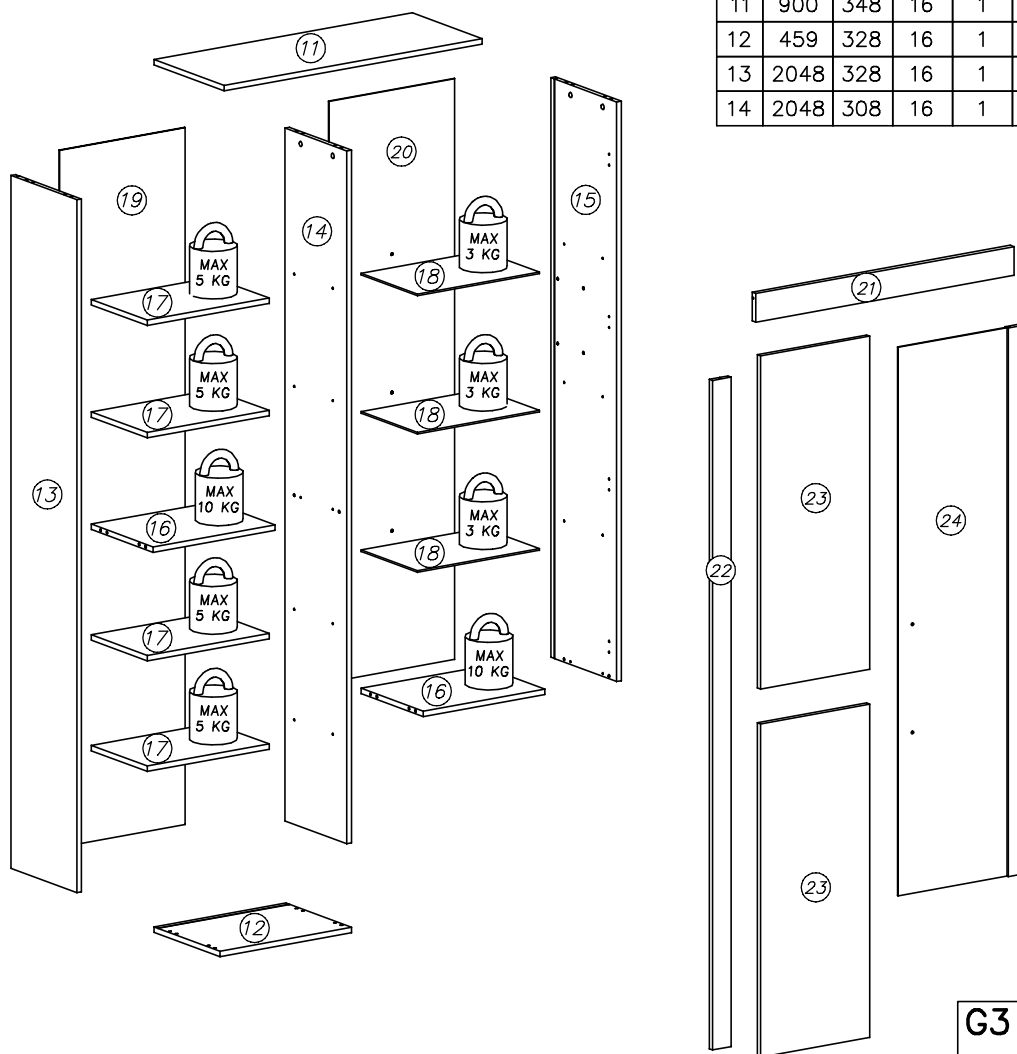
X





nr	L[mm]	B[mm]	T[mm]	Menge	Colli
11	900	348	16	1	3/5
12	459	328	16	1	4/5
13	2048	328	16	1	4/5
14	2048	308	16	1	4/5

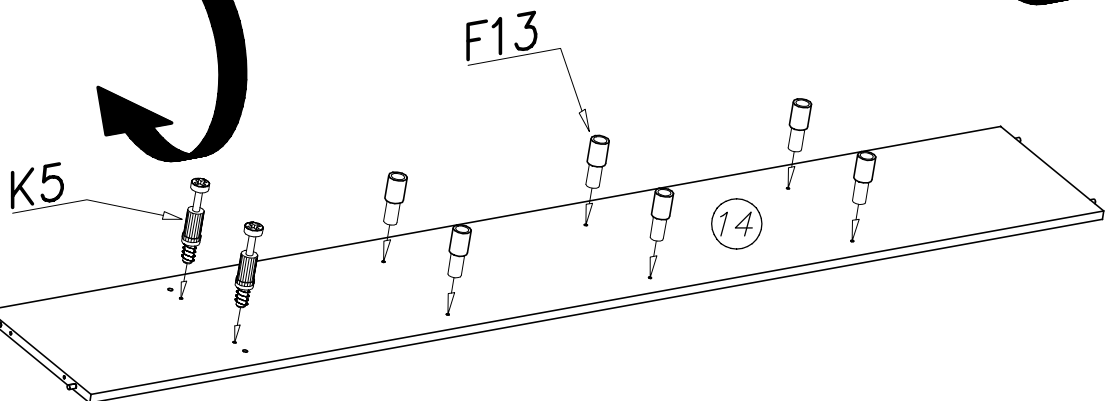
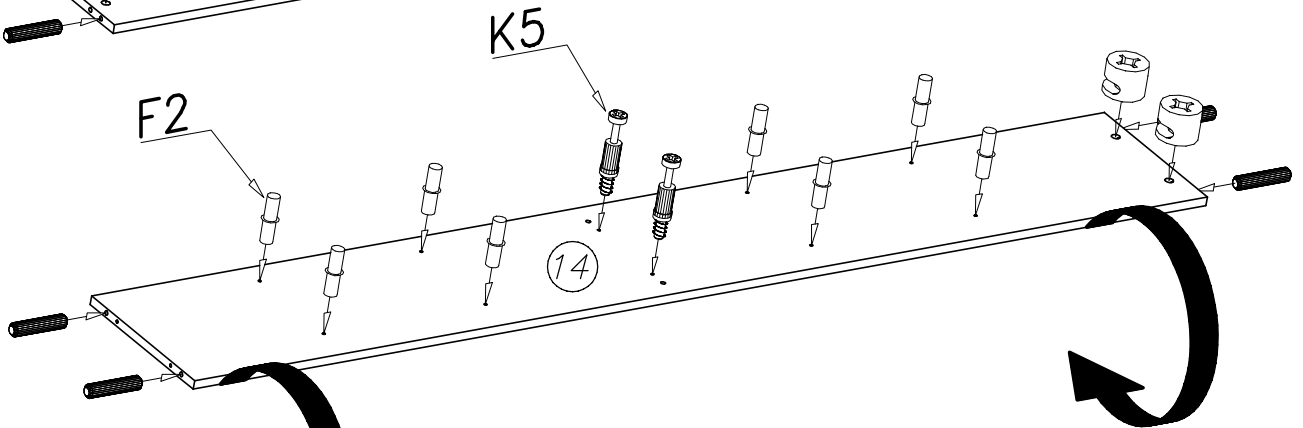
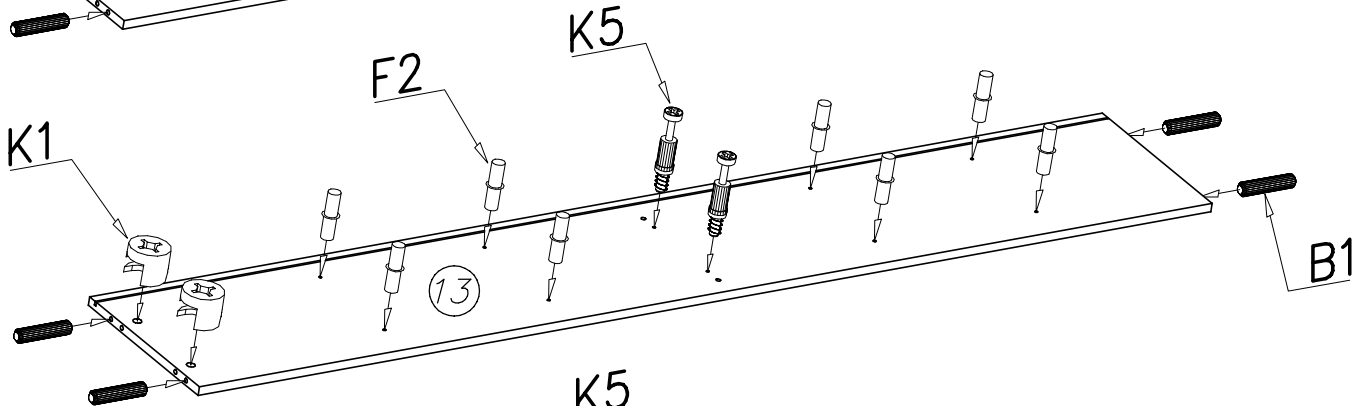
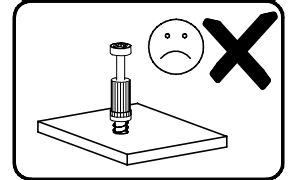
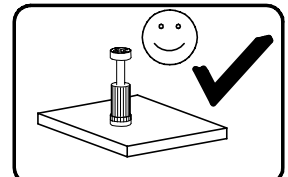
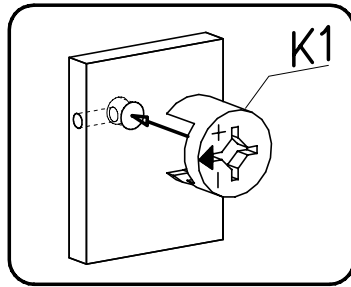
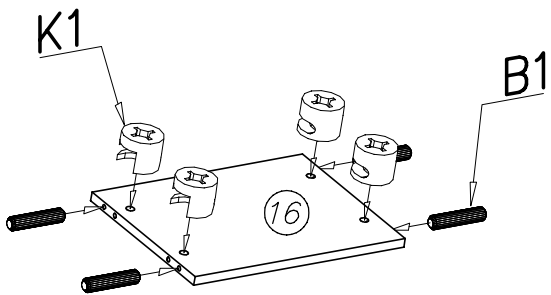
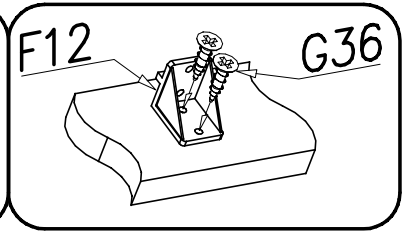
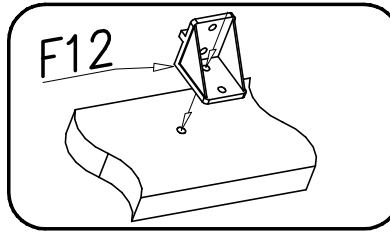
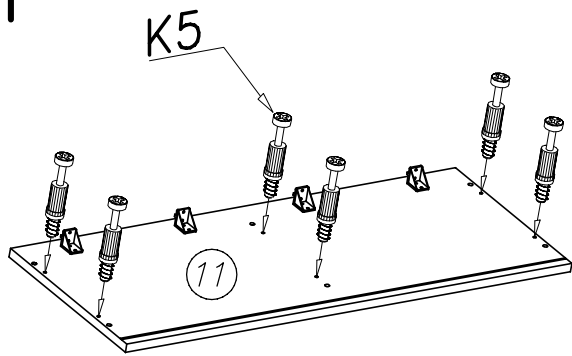
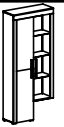
nr	L[mm]	B[mm]	T[mm]	Menge	Colli
15	1713	328	16	1	3/5
16	425	308	16	2	3/5
17	425	279	16	4	3/5
18	423	280	5	3	3/5
19	2060	438	3	1	4/5
20	1717	438	3	1	4/5
21	900	85	18	1	4/5
22	1979	65	16	1	4/5
23	380	985	16	2	3/5
24	1622	445	16	1	4/5

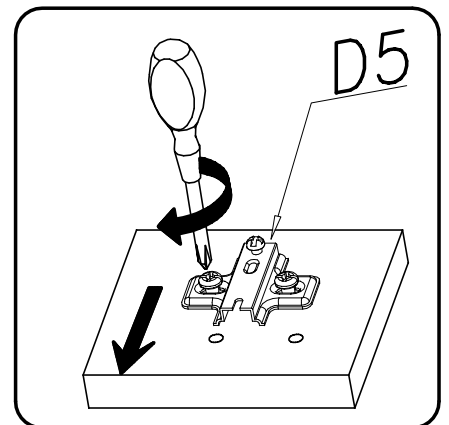
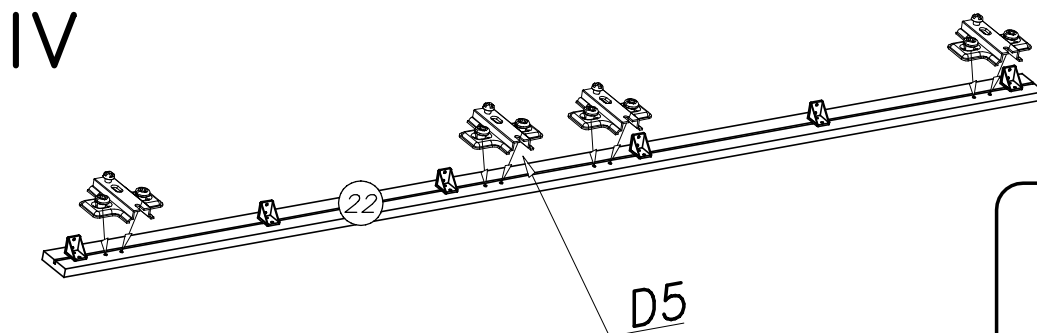
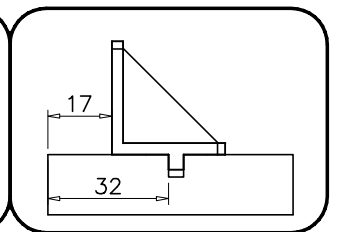
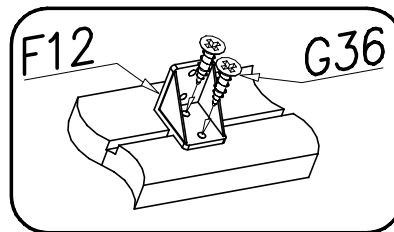
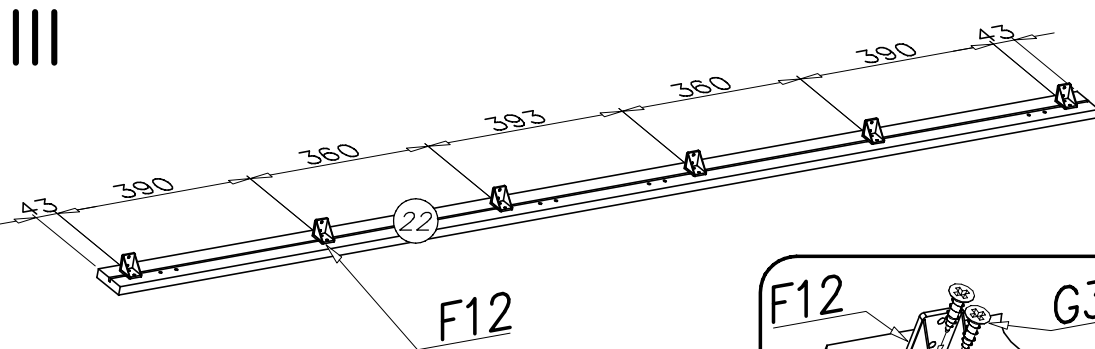
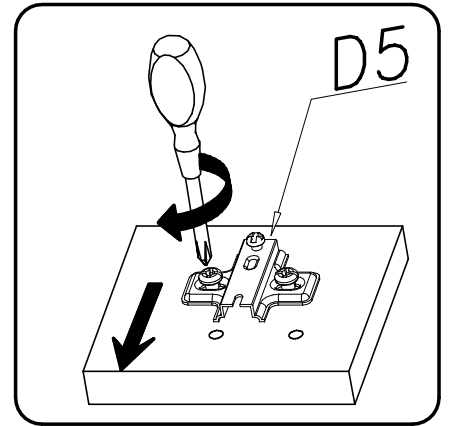
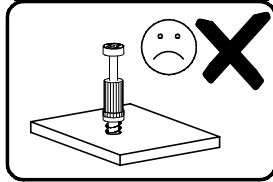
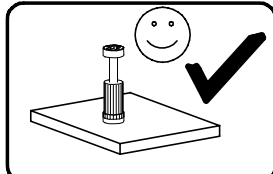
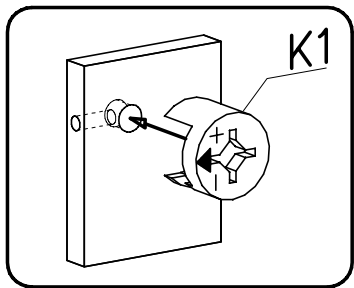
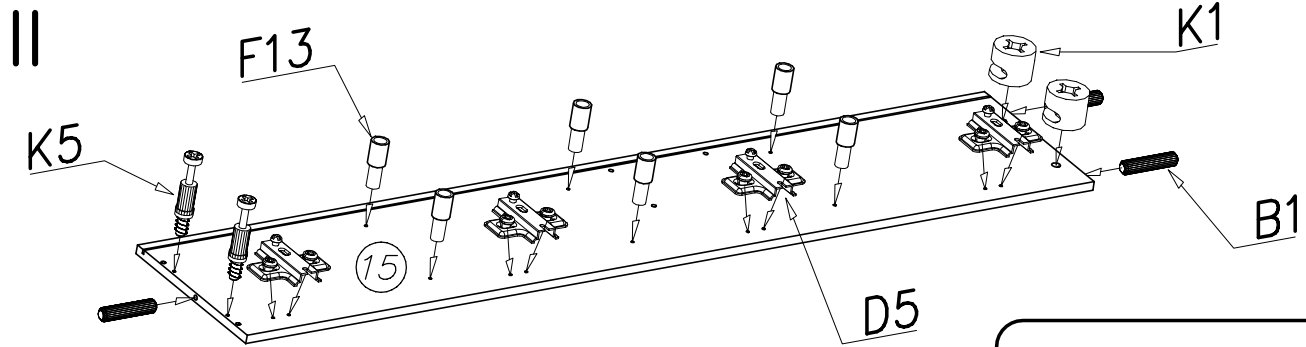
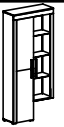


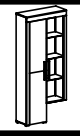
G22		3,5x16	x...(2)
I3			x...(2)
W2			x...(1)
S2			x...(18)
G3		4x30	x...(2)
W5		LED	x...(3)

I1			x...(16)
M19			x...(1)
W11			x...(1)

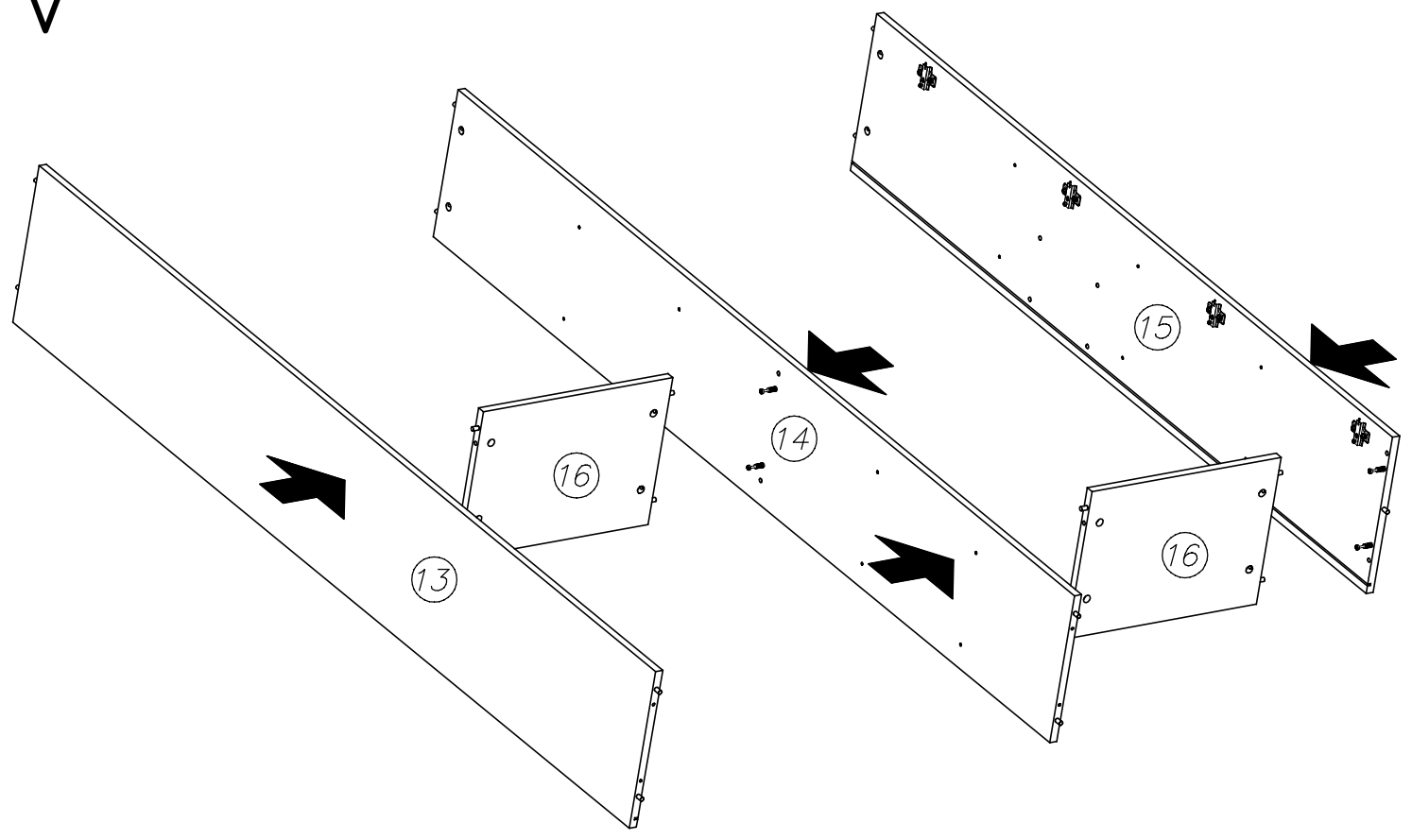
F2		x...(16)	F11		x...(12)	A1		ø7x50	x...(4)	P15		x...(4)	M19		x...(1)		x...(1)					
G12		4x25	x...(8)	G28		4x60	x...(1)	M11		x...(1)	F12		x...(10)	U6		ø8x40	x...(1)	C3		x...(4)		
K1		ø15x12	x...(14)	G8		4x30	x...(4)	G21		3x16	x...(26)	D5		PZ35RO	x...(4)	G36		3,5x13	x...(60)	D3		x...(4)
K5		x...(14)	B1		ø8x35	x...(19)	I7		x...(14)	C5		Z35RO	x...(4)	E1		128mm	x...(2)	E25		320mm	x...(1)	



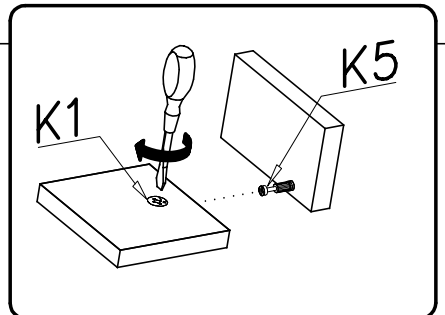
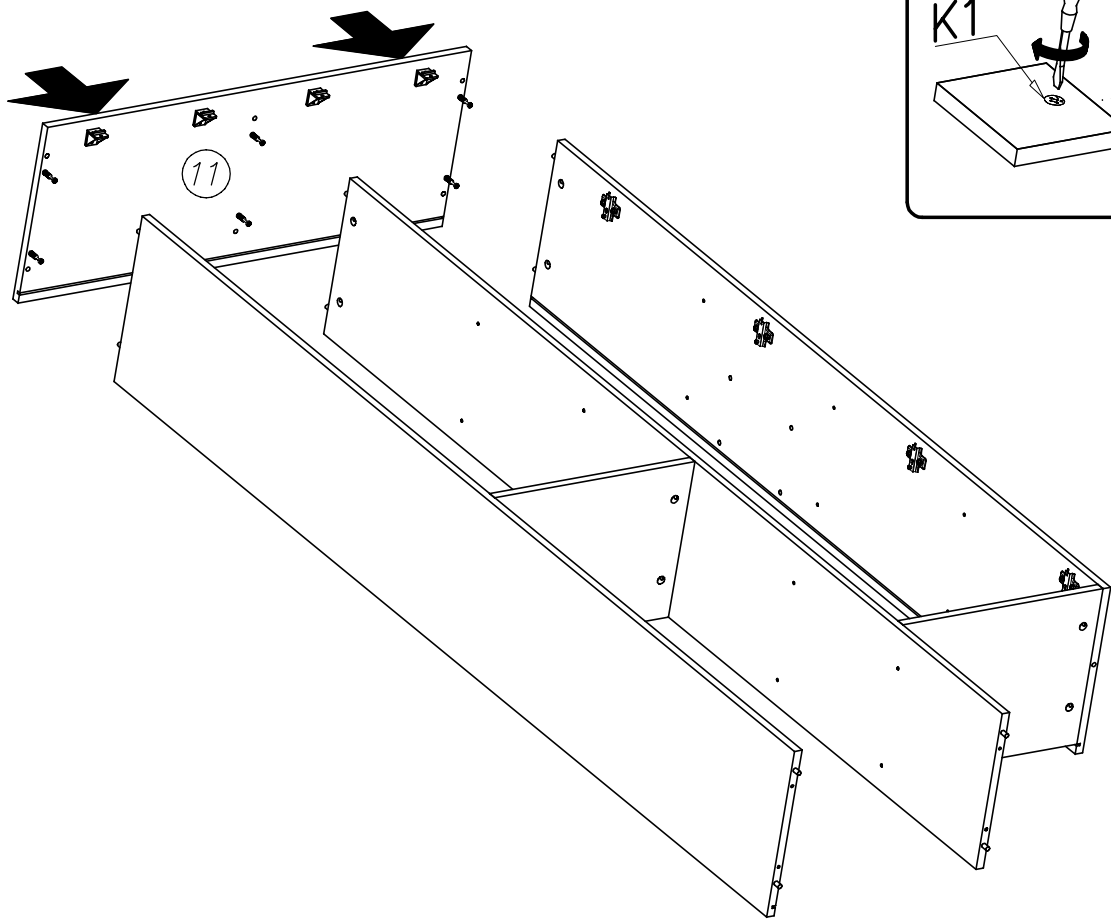


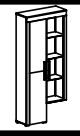


V

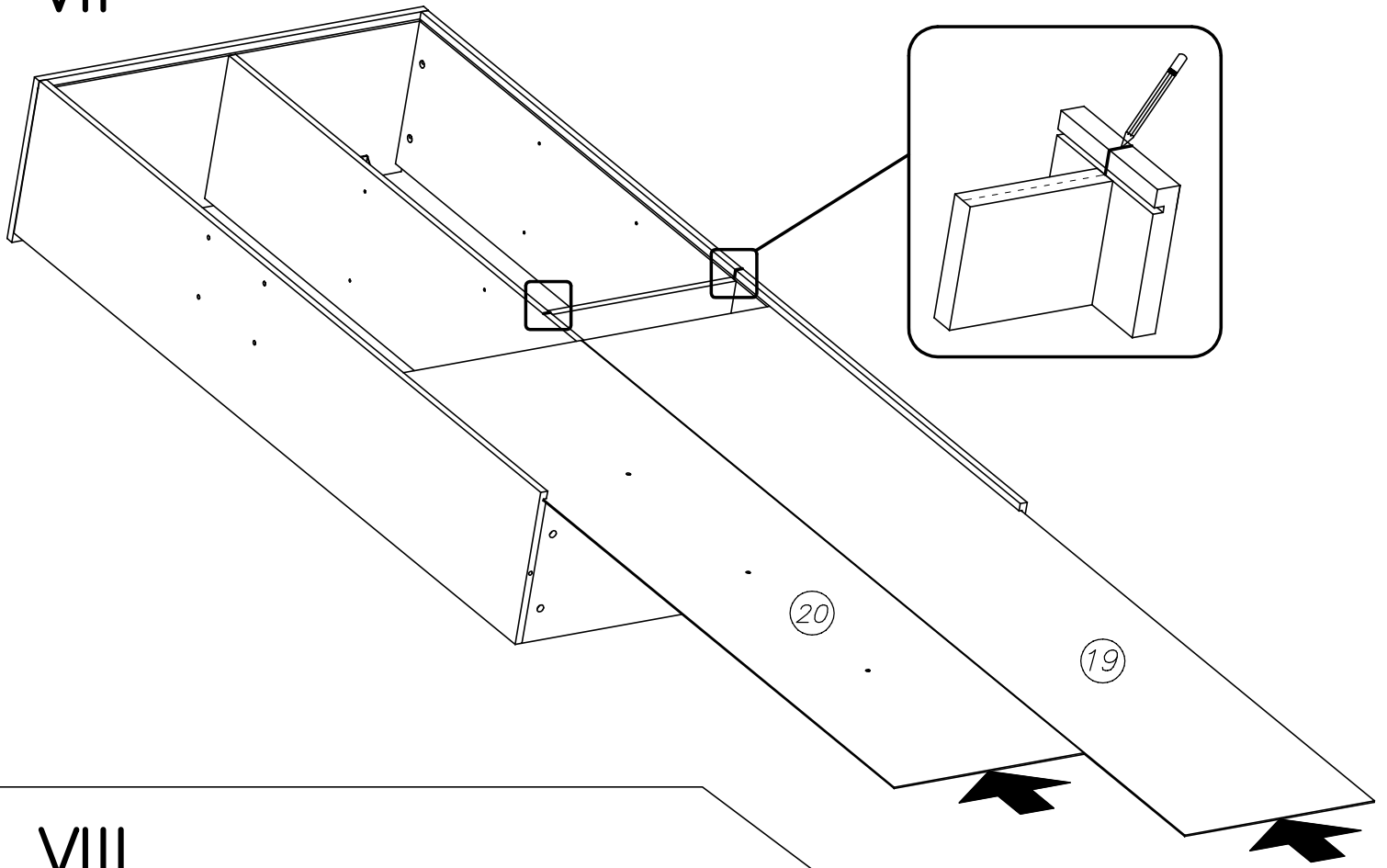


VI

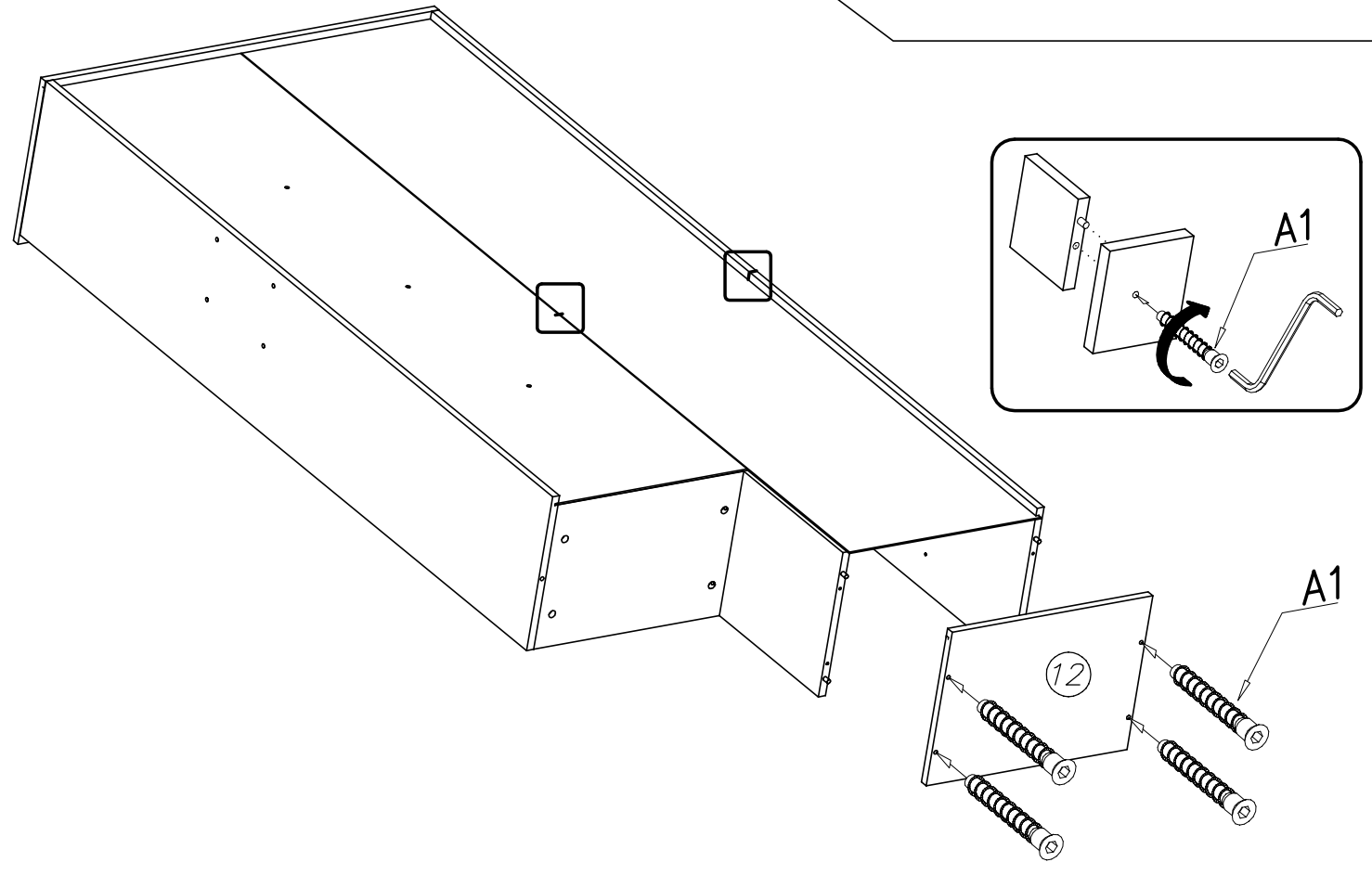


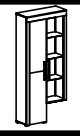


VII

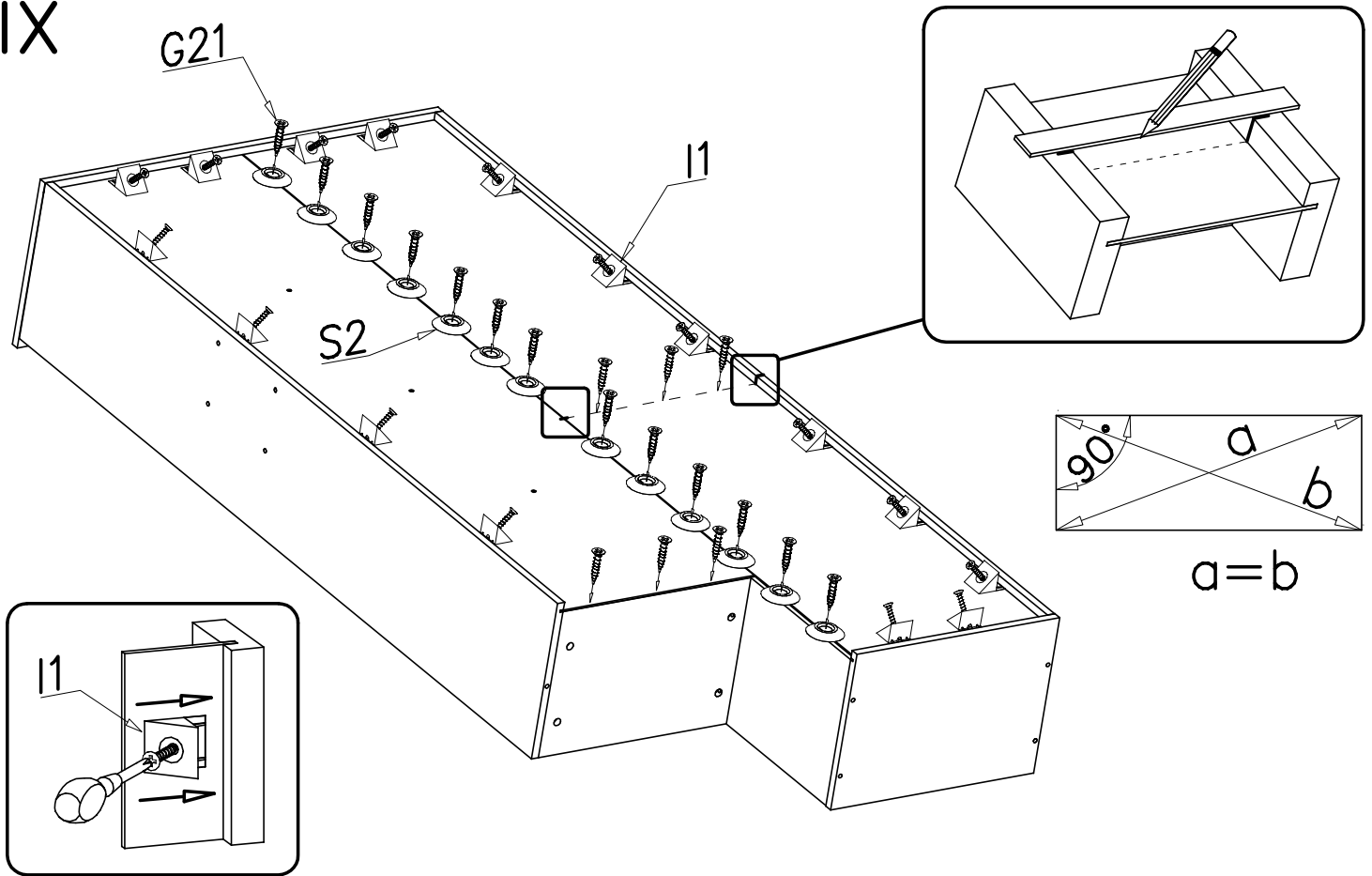


VIII

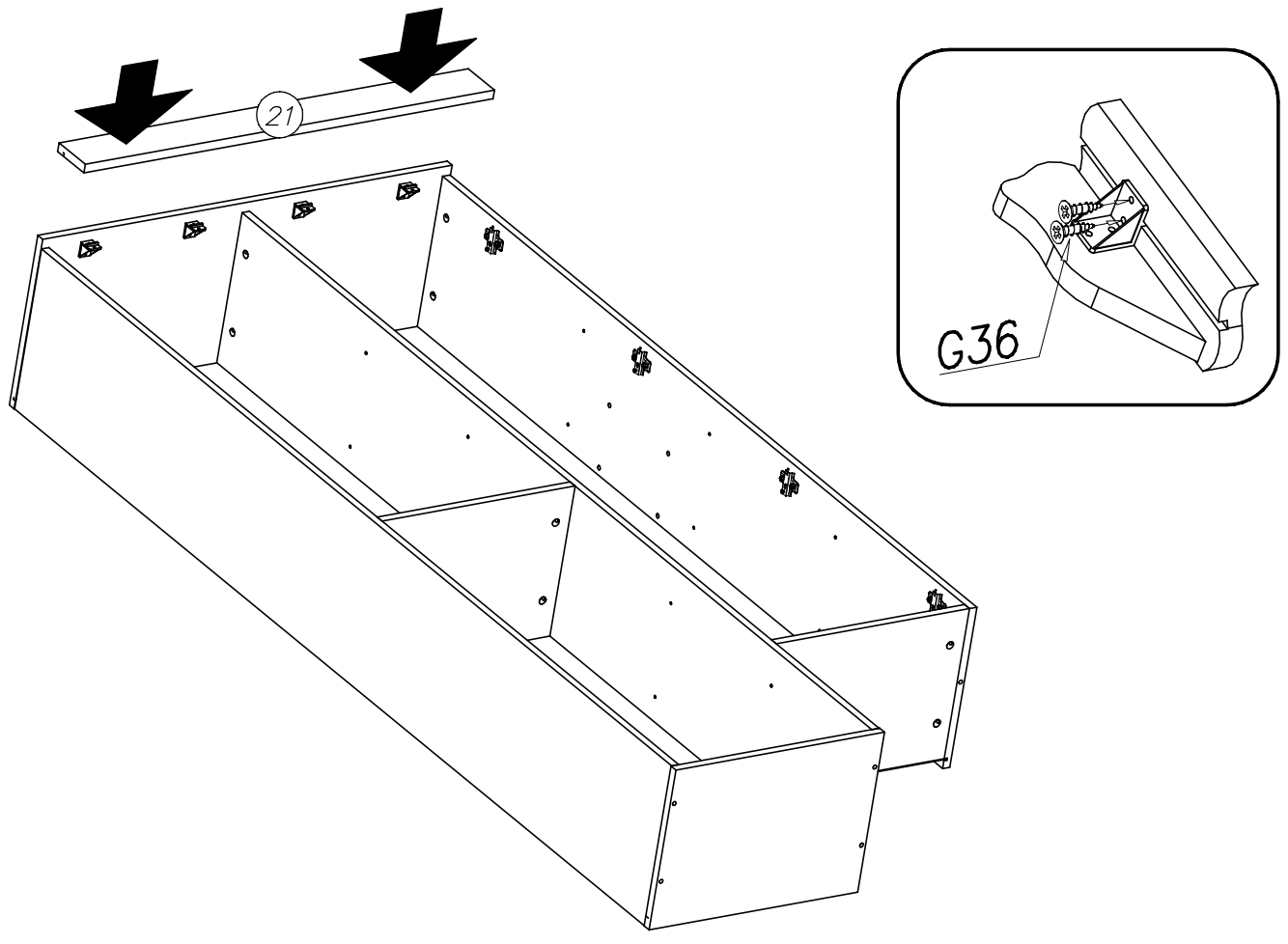


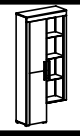


IX

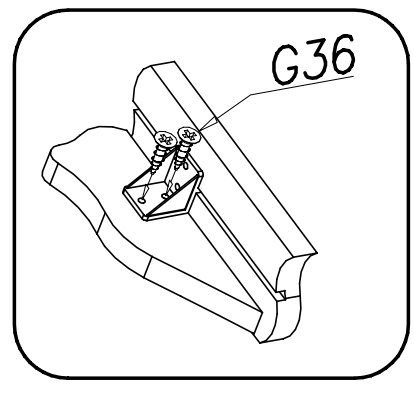
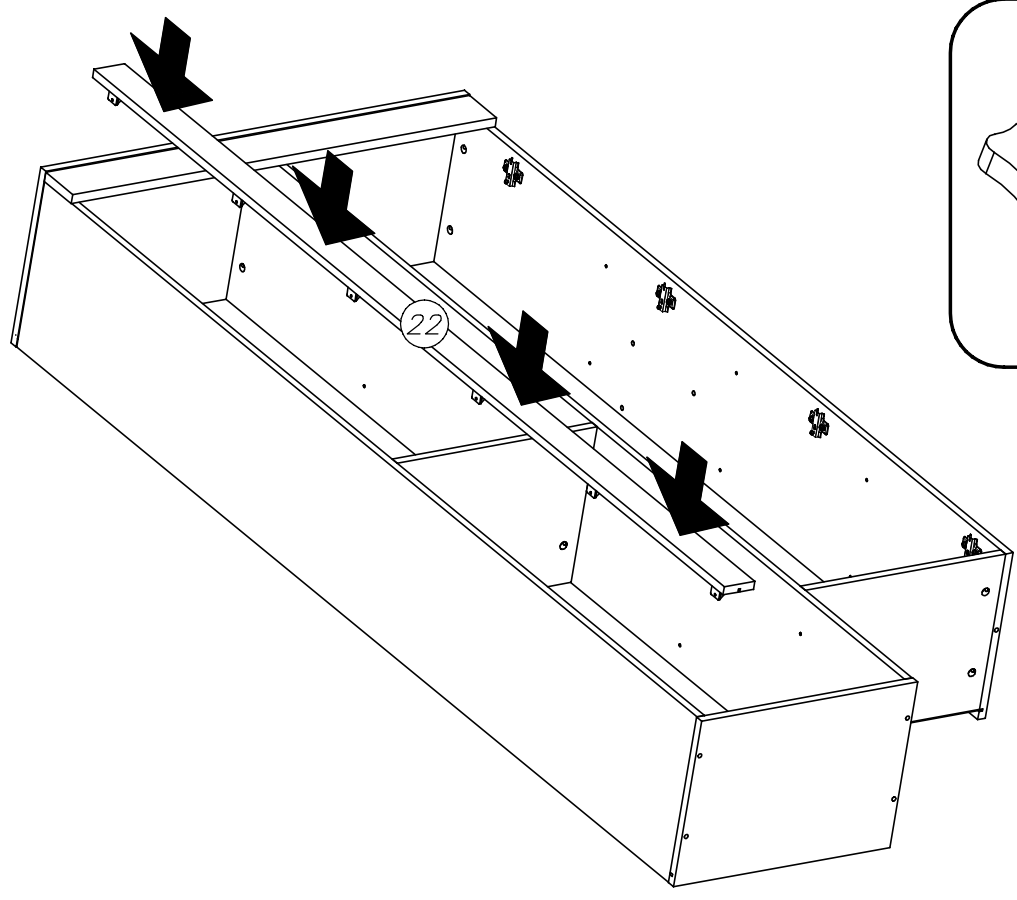


X

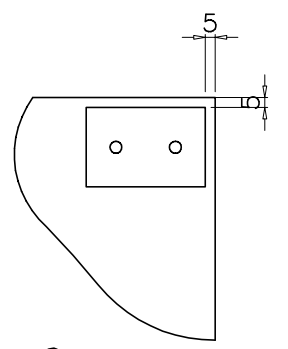
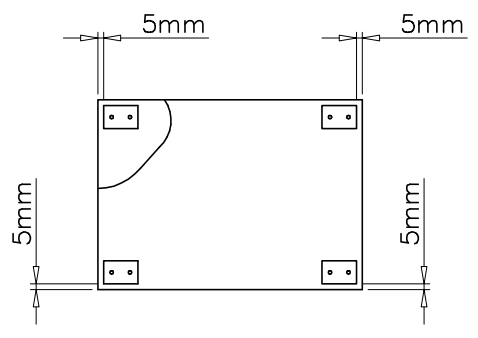
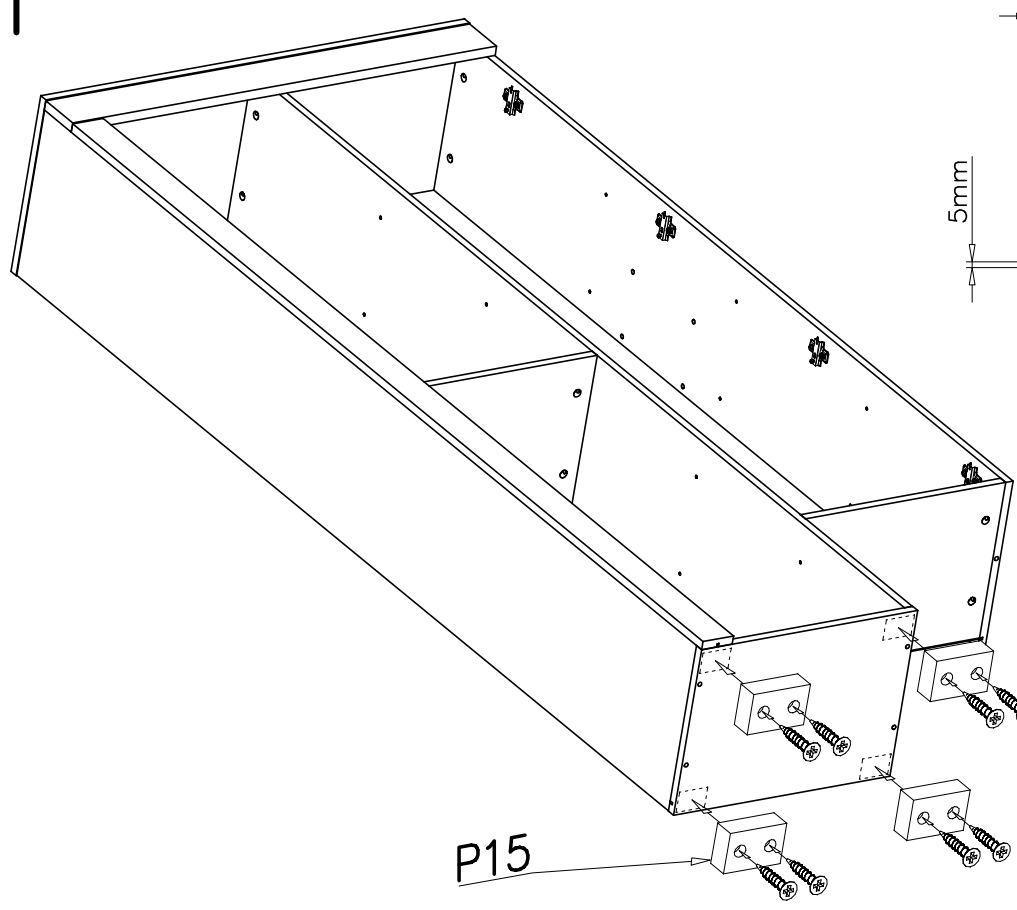




XI

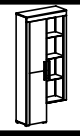


XII

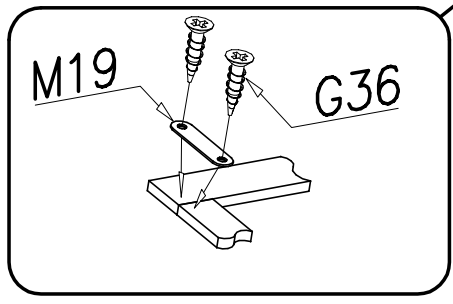
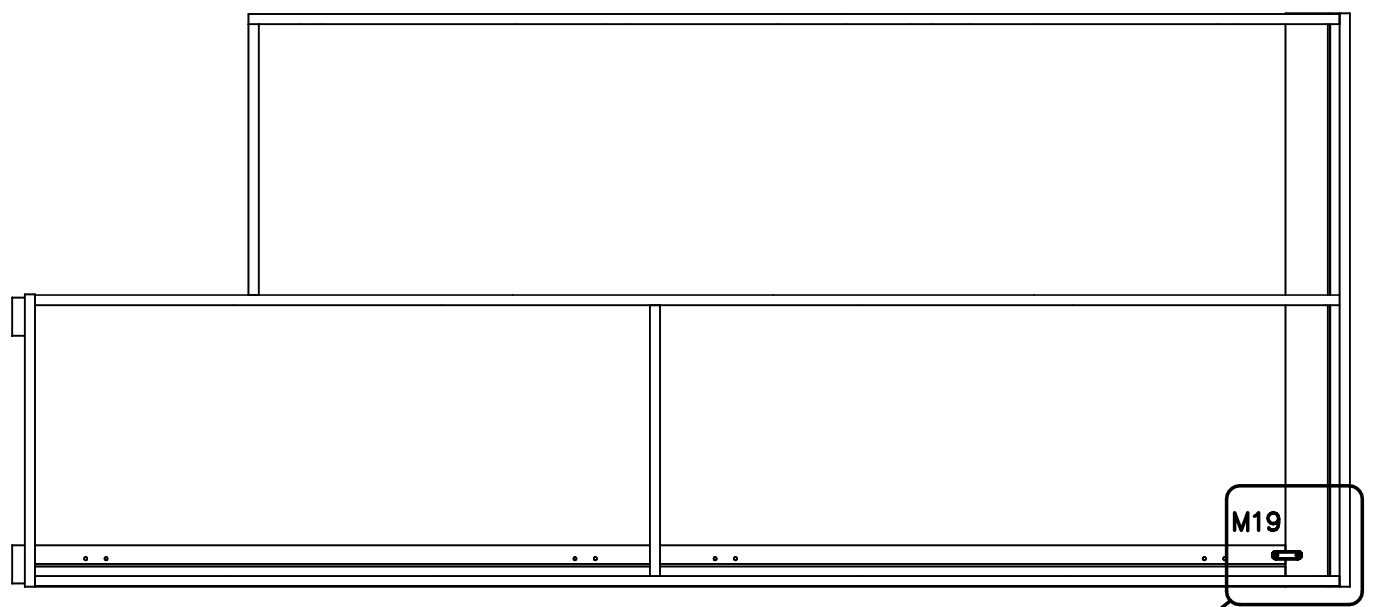
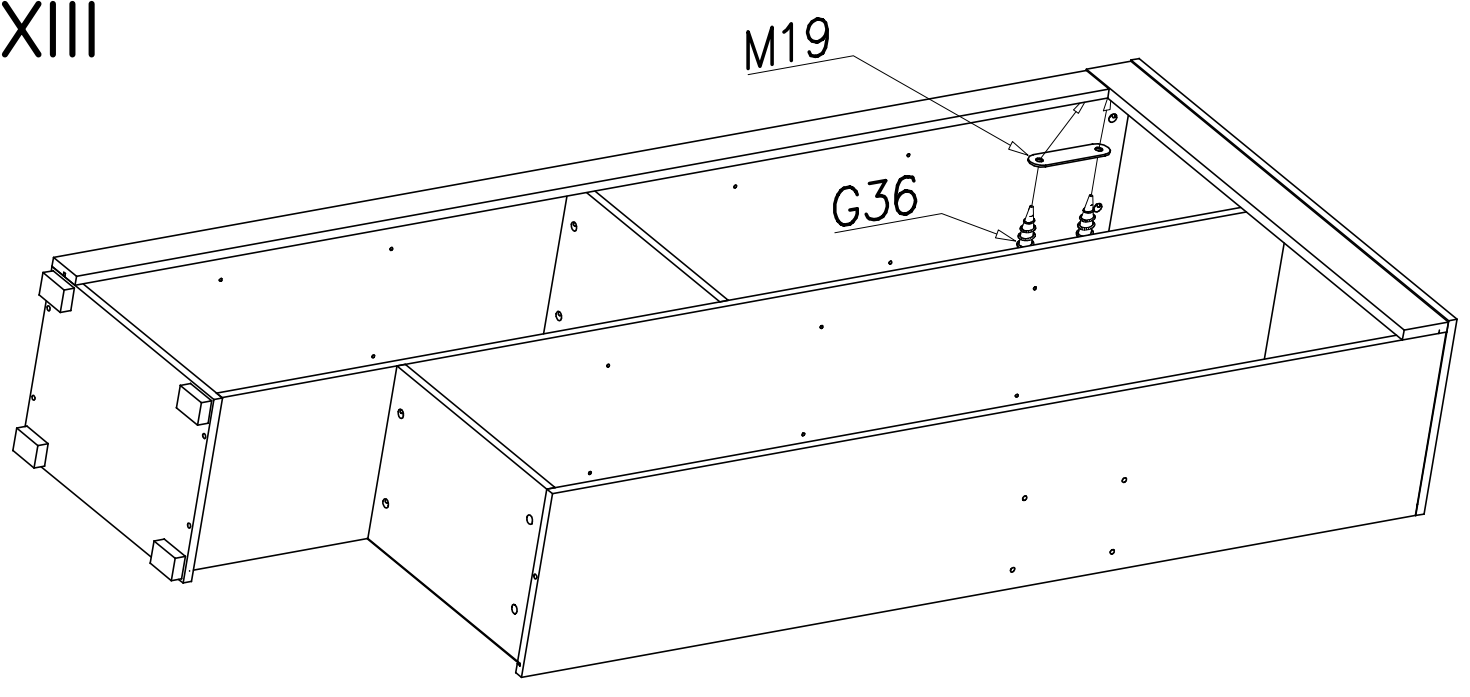


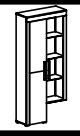
P15

G12

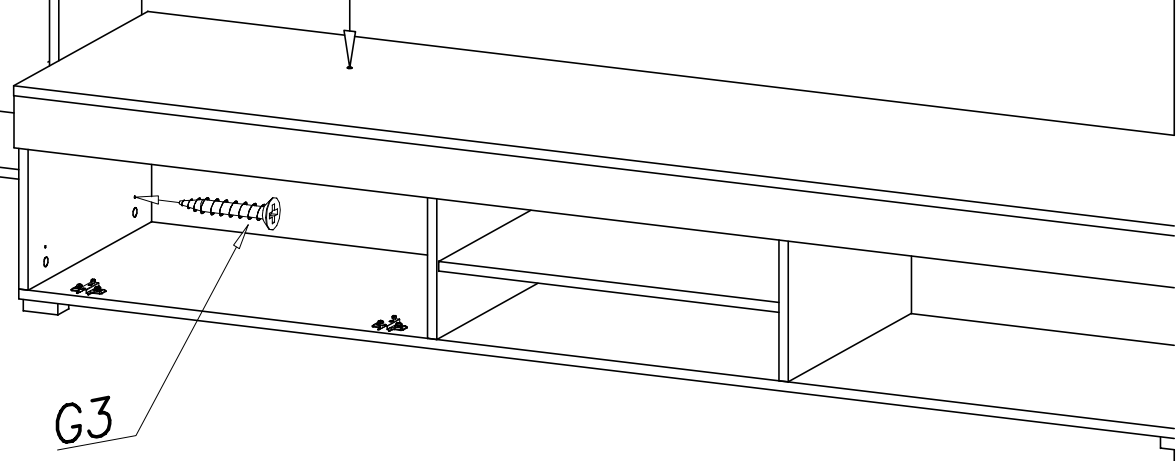
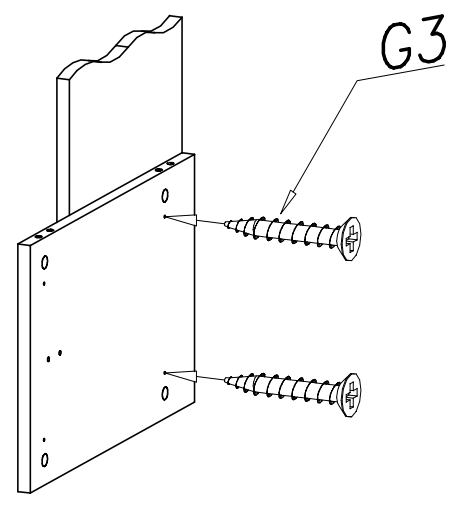
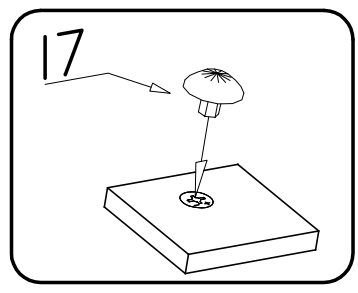
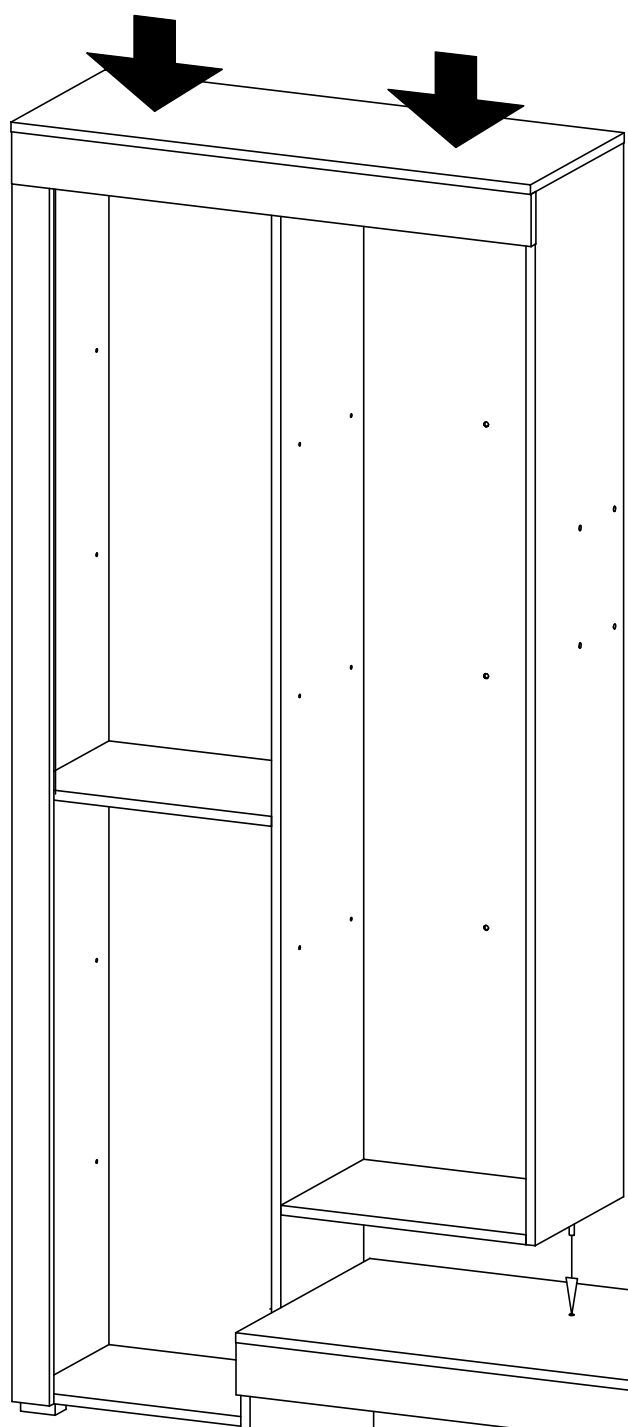


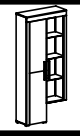
XIII



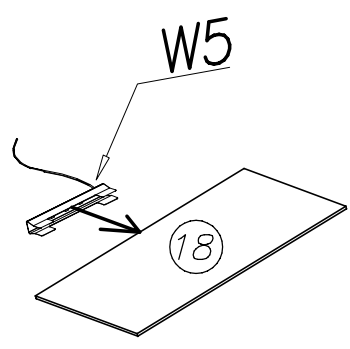
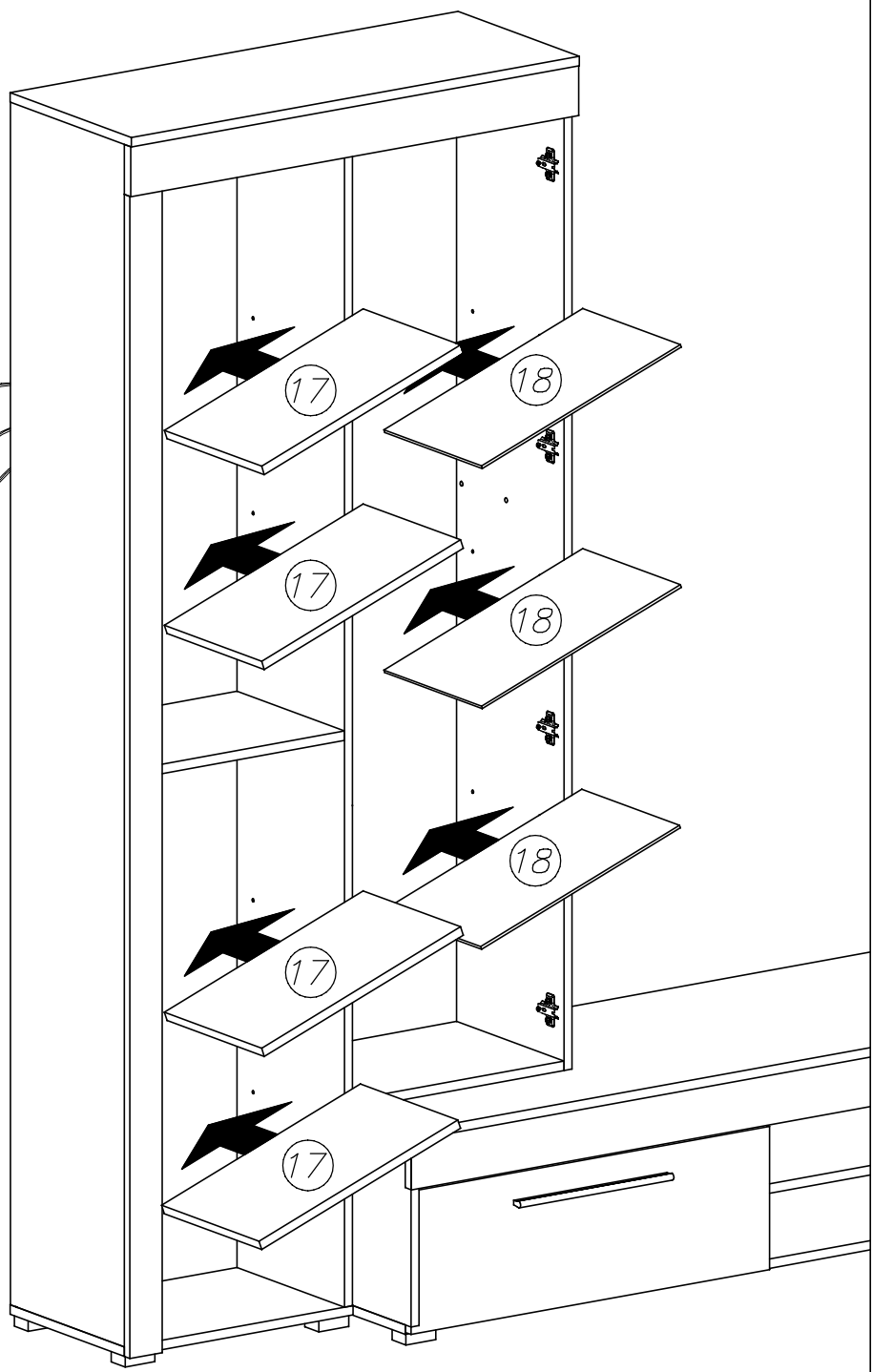
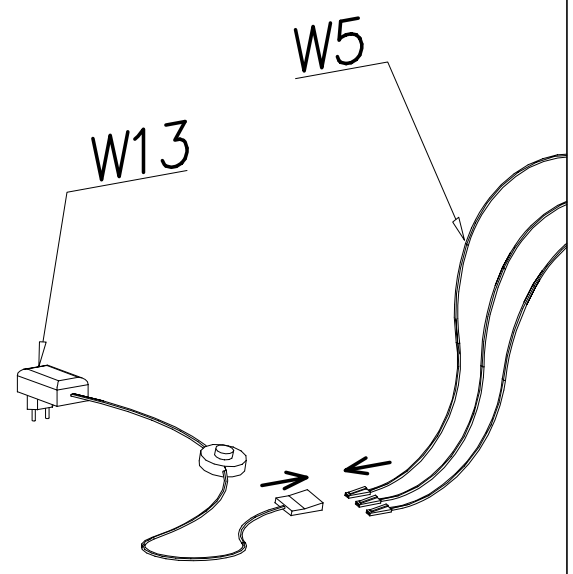


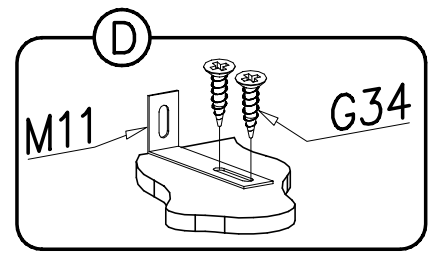
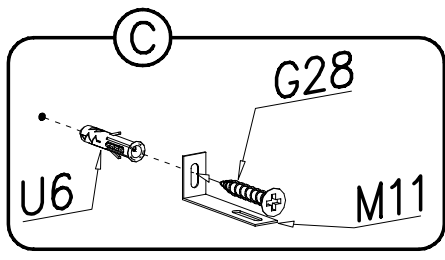
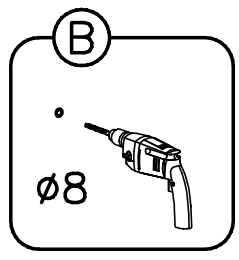
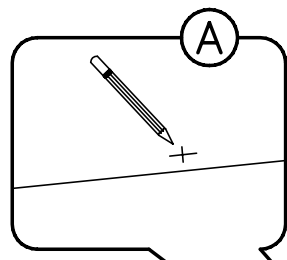
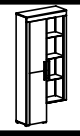
XIV



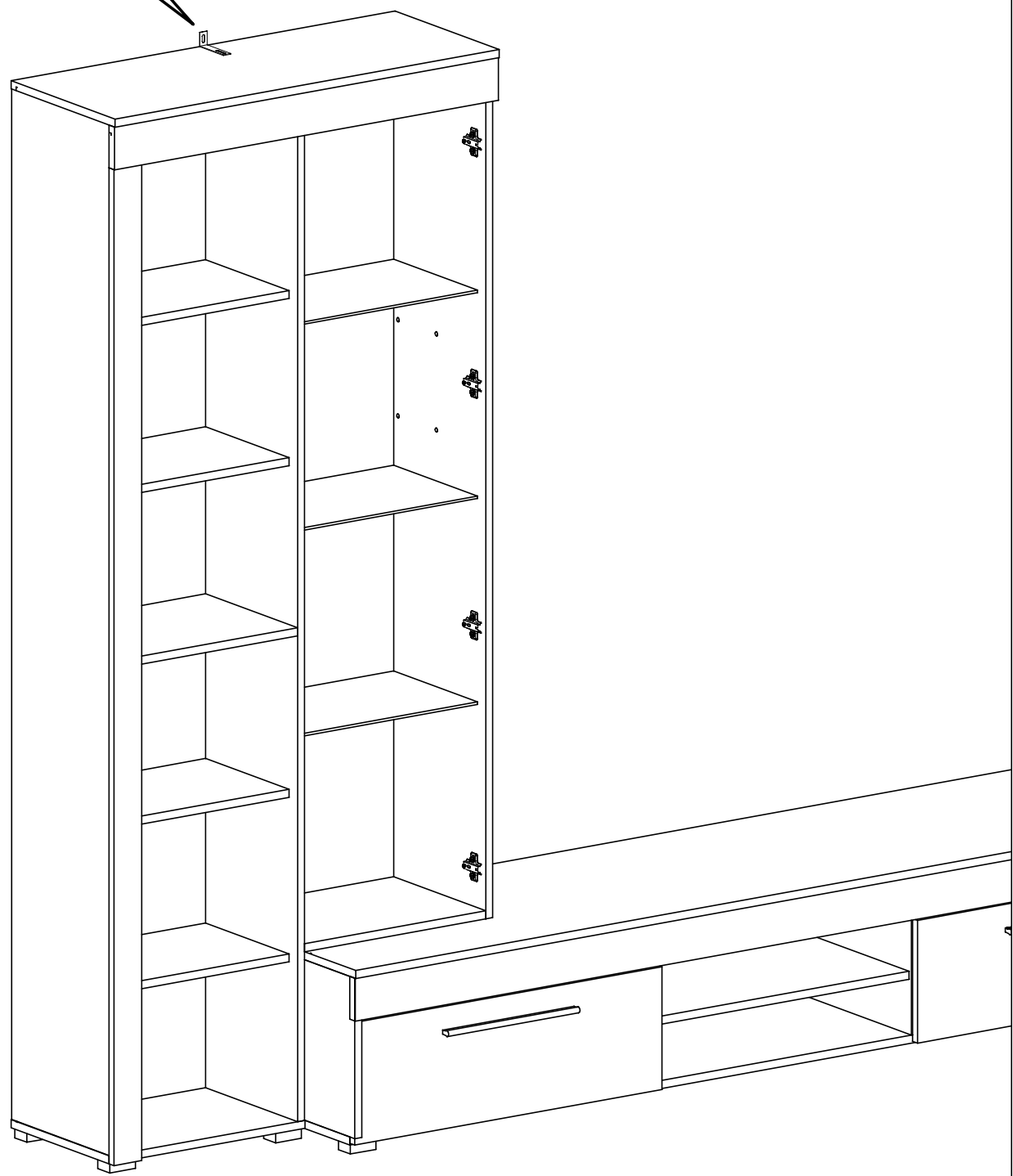


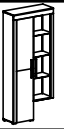
XV



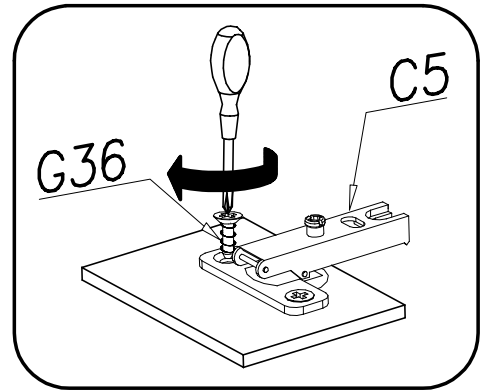
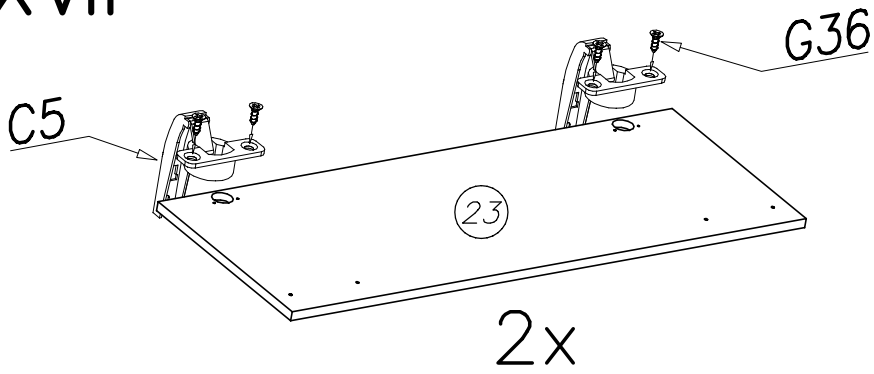


XVI

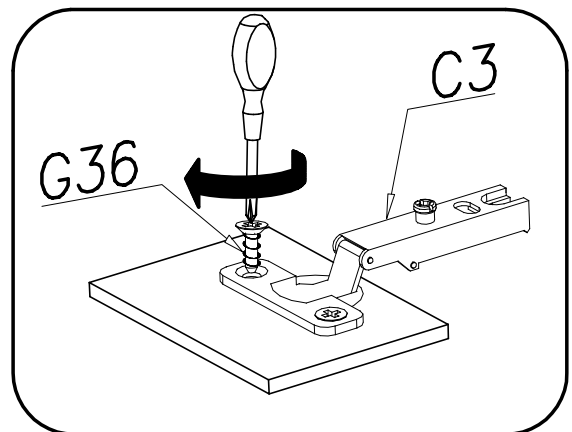
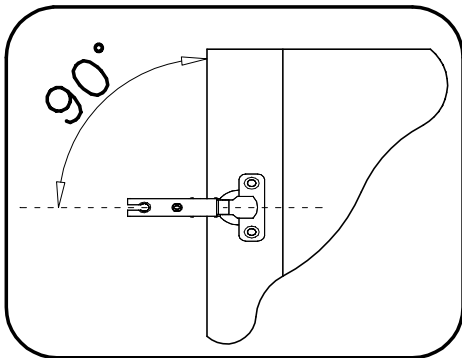
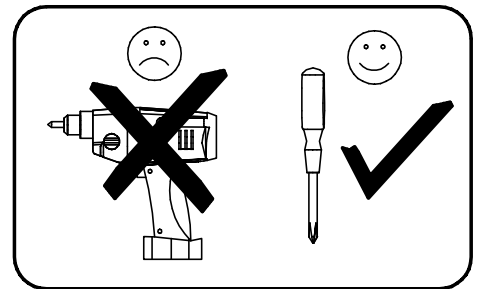
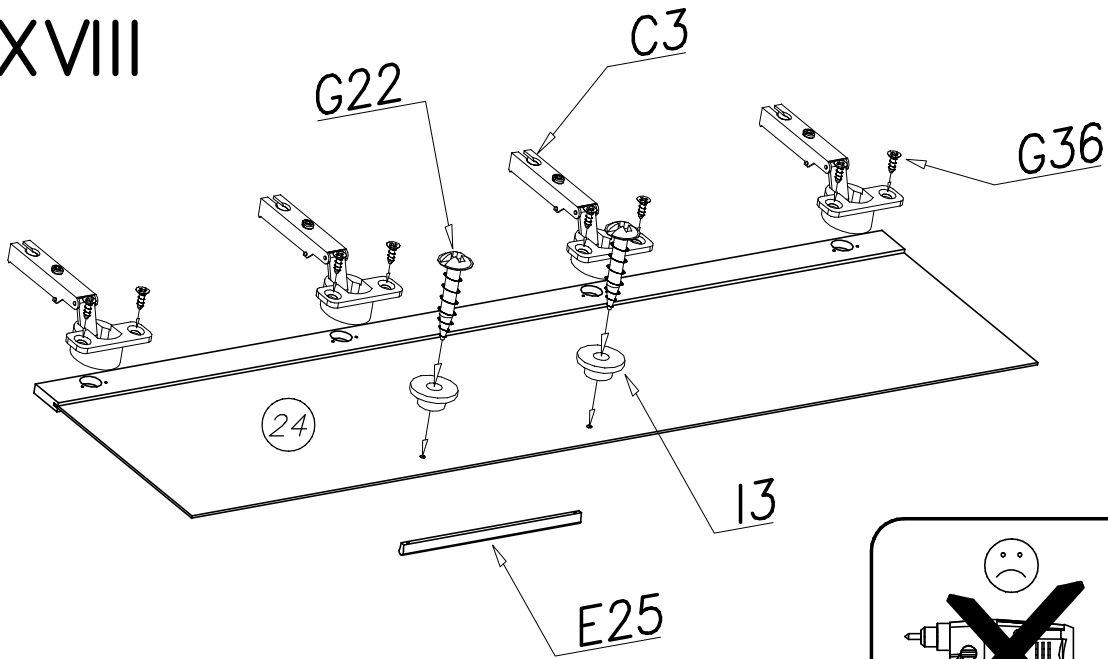




XVII

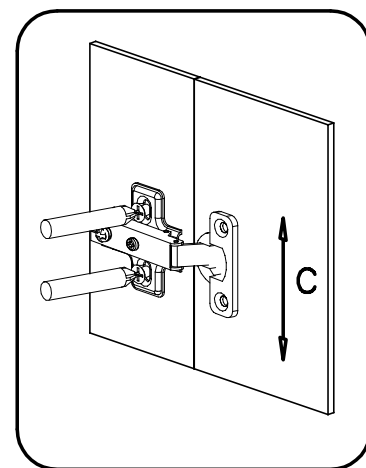
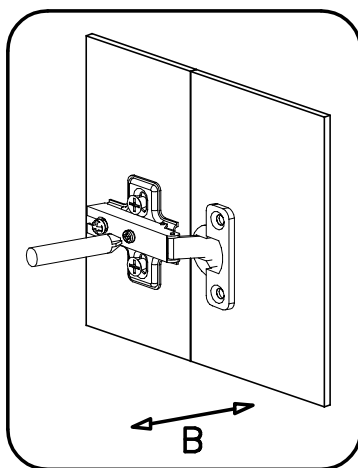
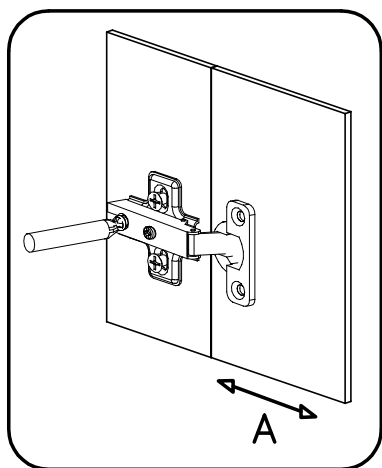
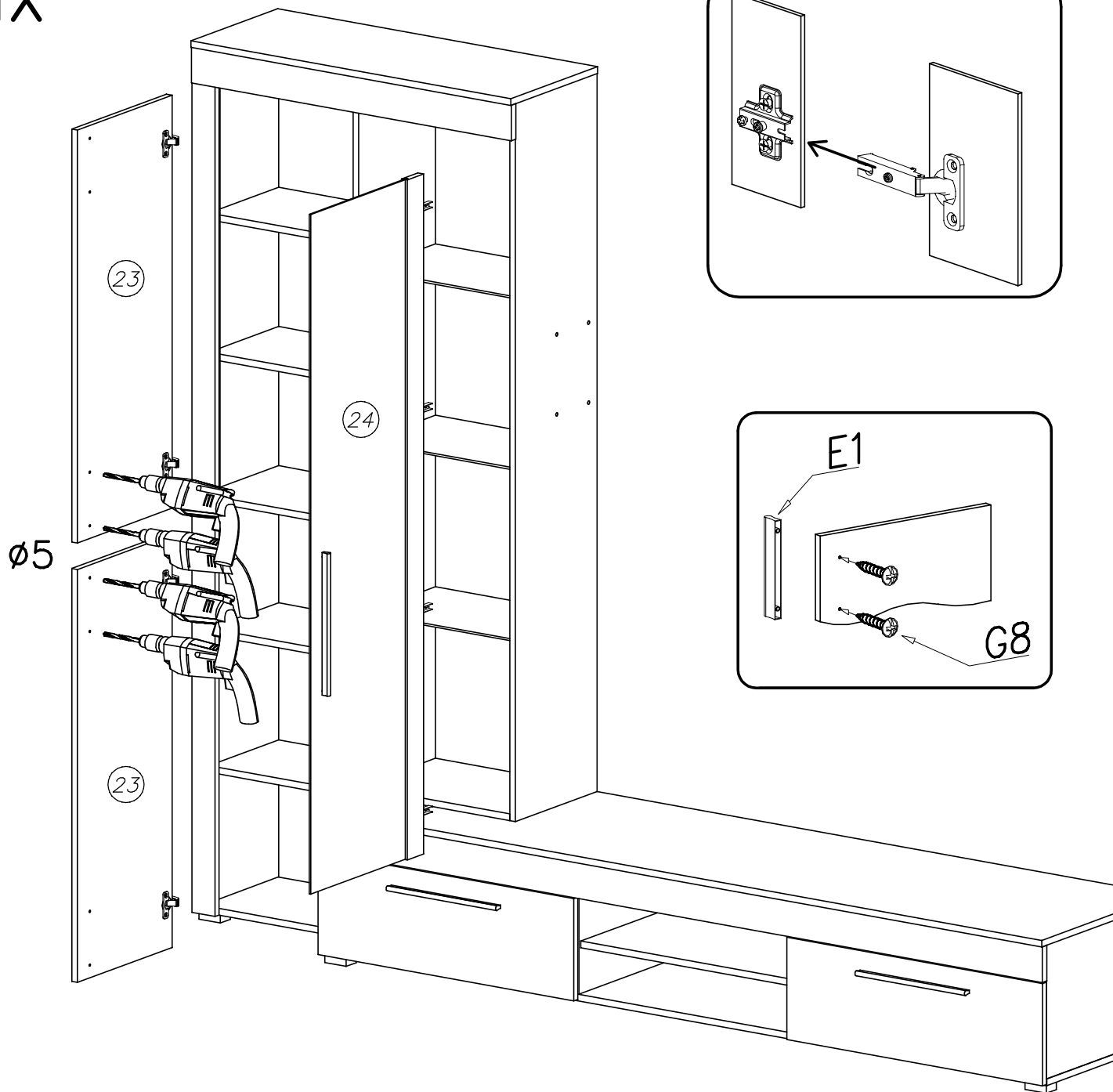


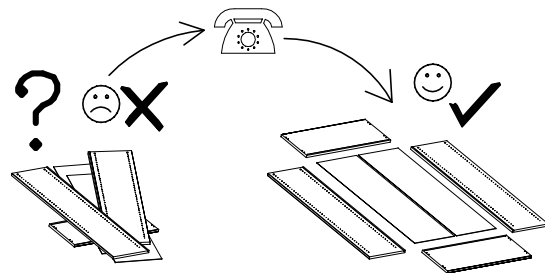
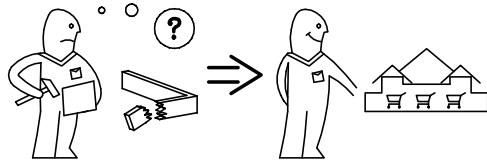
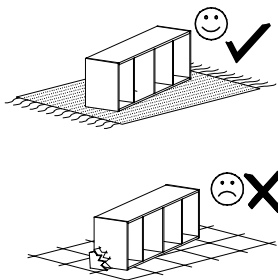
XVIII





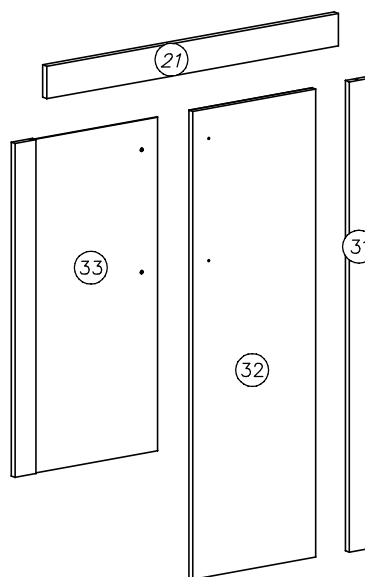
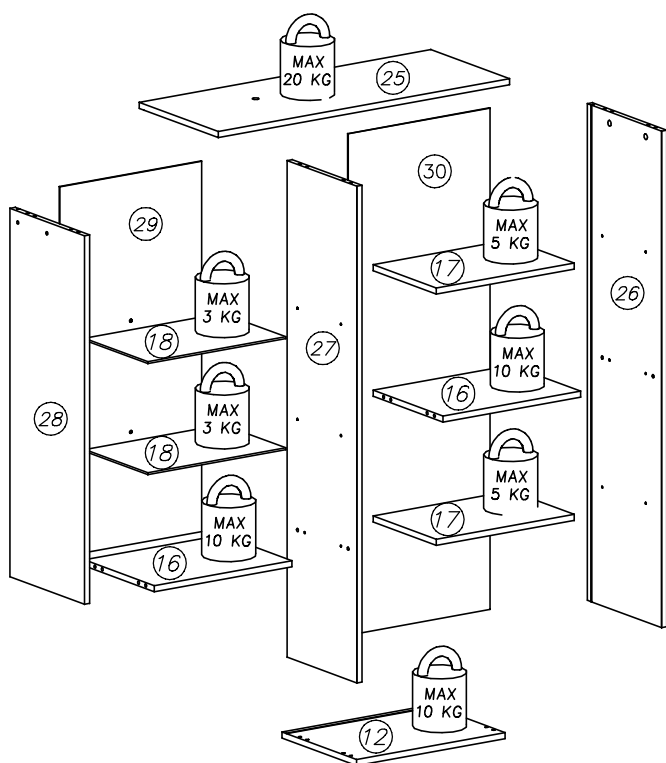
XIX



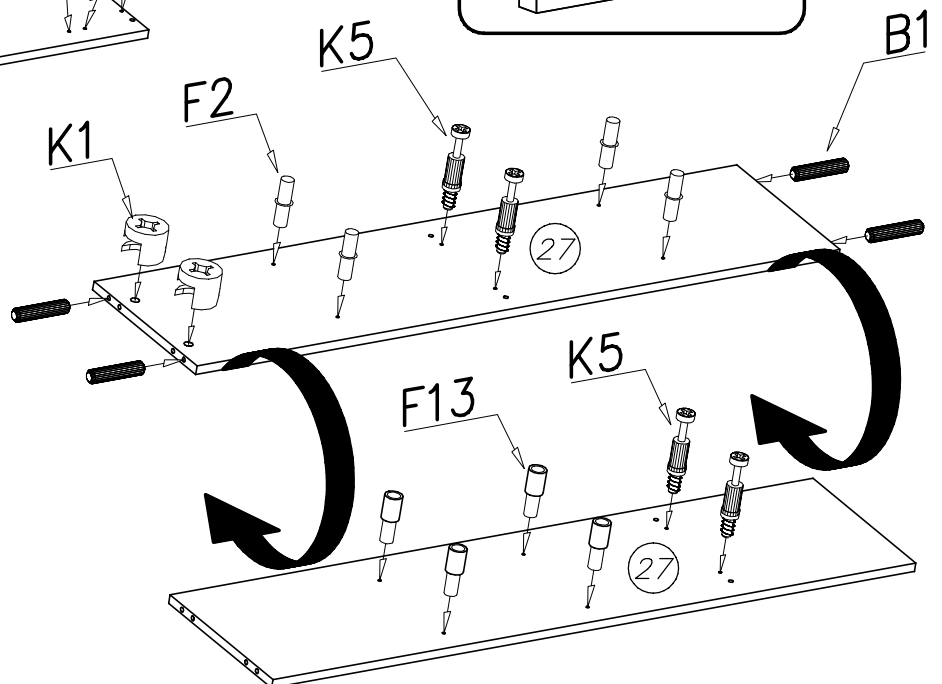
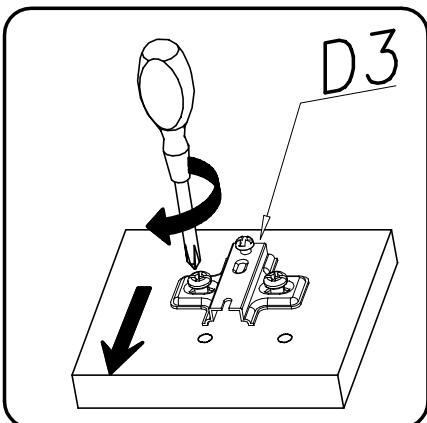
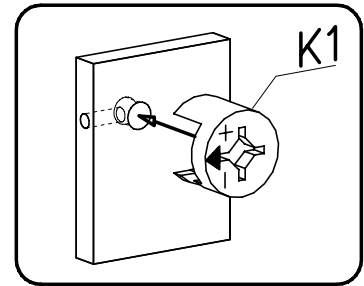
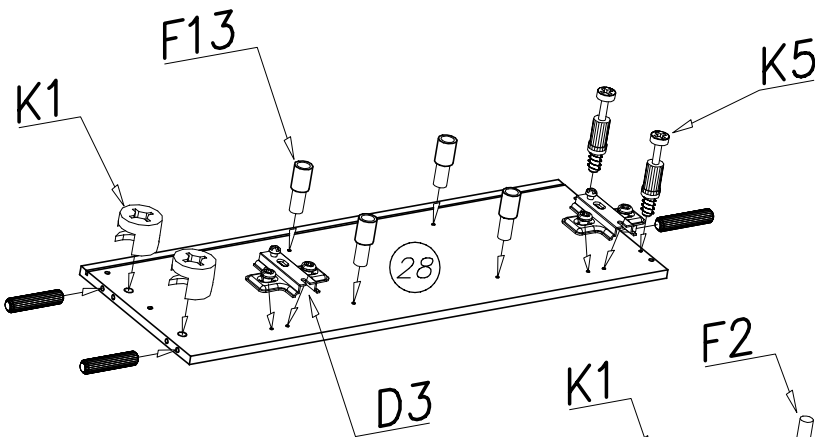
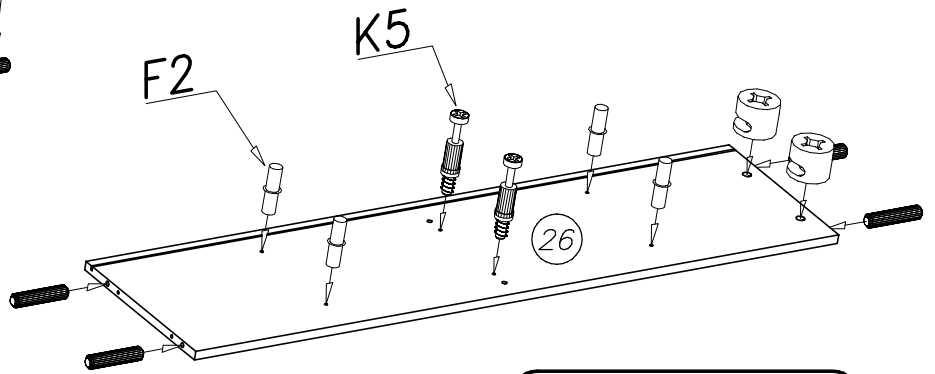
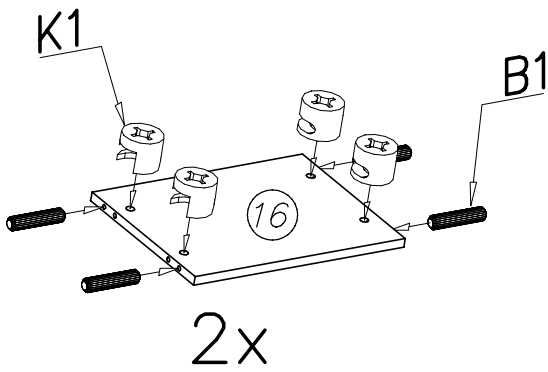
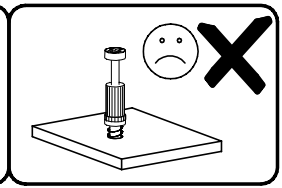
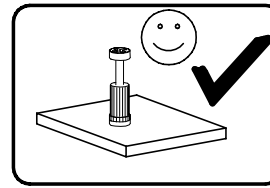
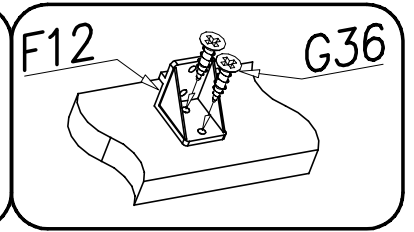
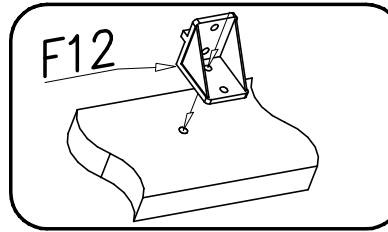
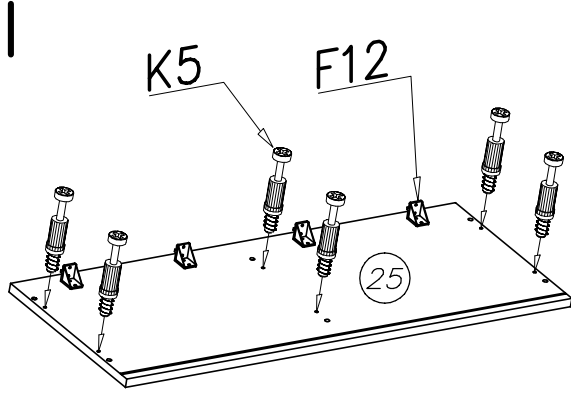
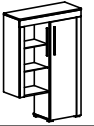


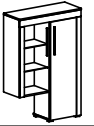
nr	L[mm]	B[mm]	T[mm]	Menge	Colli
12	459	328	16	1	1/5
16	425	308	16	2	1/5
17	425	279	16	2	1/5
18	423	280	5	2	1/5
21	900	85	18	1	2/5

nr	L[mm]	B[mm]	T[mm]	Menge	Colli
25	900	348	16	1	1/5
26	1300	328	16	1	2/5
27	1300	308	16	1	2/5
28	965	328	16	1	1/5
29	969	438	3	1	2/5
30	1312	438	3	1	2/5
31	1231	65	16	1	2/5
32	380	1225	16	1	2/5
33	874	445	16	1	2/5

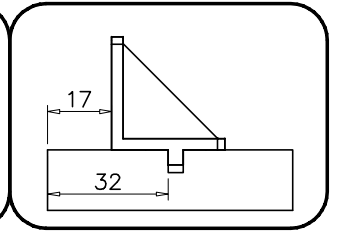
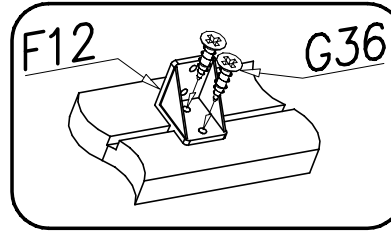
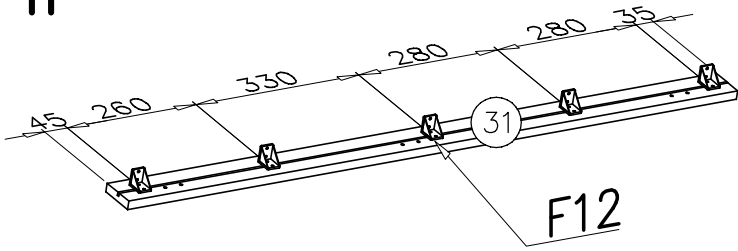


	W2 x...(1)	G22 3,5x16 x...(2)	I3 x...(2)	G3 4x30 x...(2)	S2 x...(14)
F2 x...(8)	F11 x...(8)	A1 ø7x50 x...(4)	P15 x...(4)	I1 x...(13)	W5 LED x...(2)
G12 4x25 x...(8)	G28 4x60 x...(1)	M11 x...(1)	F12 x...(9)	M19 x...(1)	C3 Z35PR x...(2)
K1 ø15x12 x...(14)	G8 4x30 x...(2)	G21 3x16 x...(22)	D5 PZ35RO x...(3)	U6 ø8x40 x...(1)	D3 PZ35PR x...(2)
K5 x...(14)	B1 ø8x35 x...(19)	I7 x...(14)	C5 Z35RO x...(3)	G36 3,5x13 x...(50)	E25 320mm x...(2)

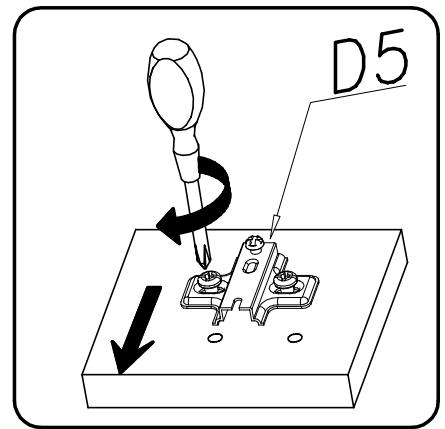
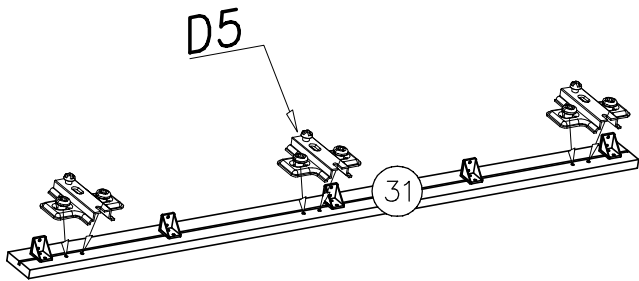




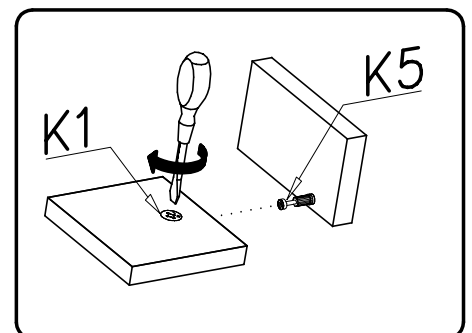
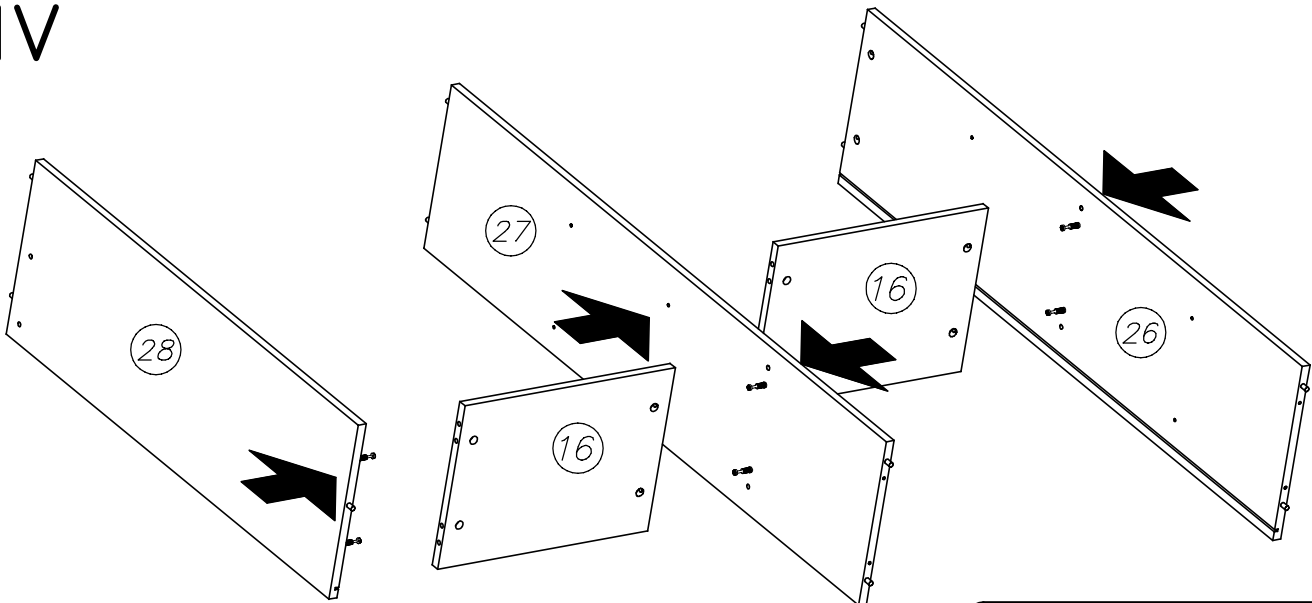
II

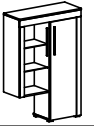


III

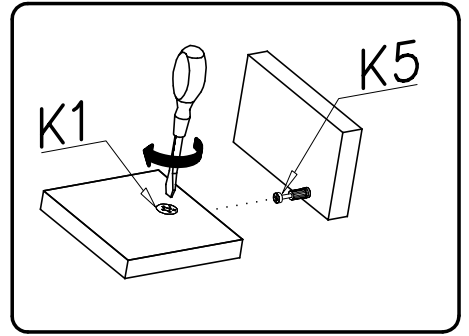
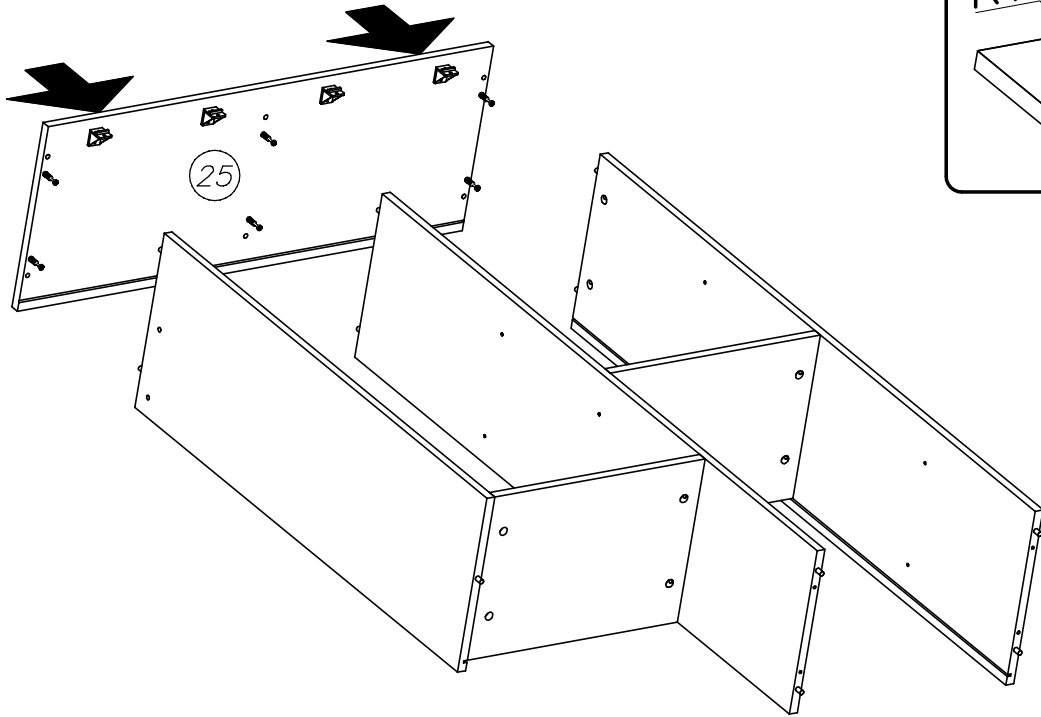


IV

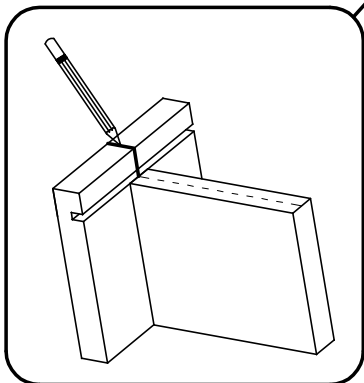
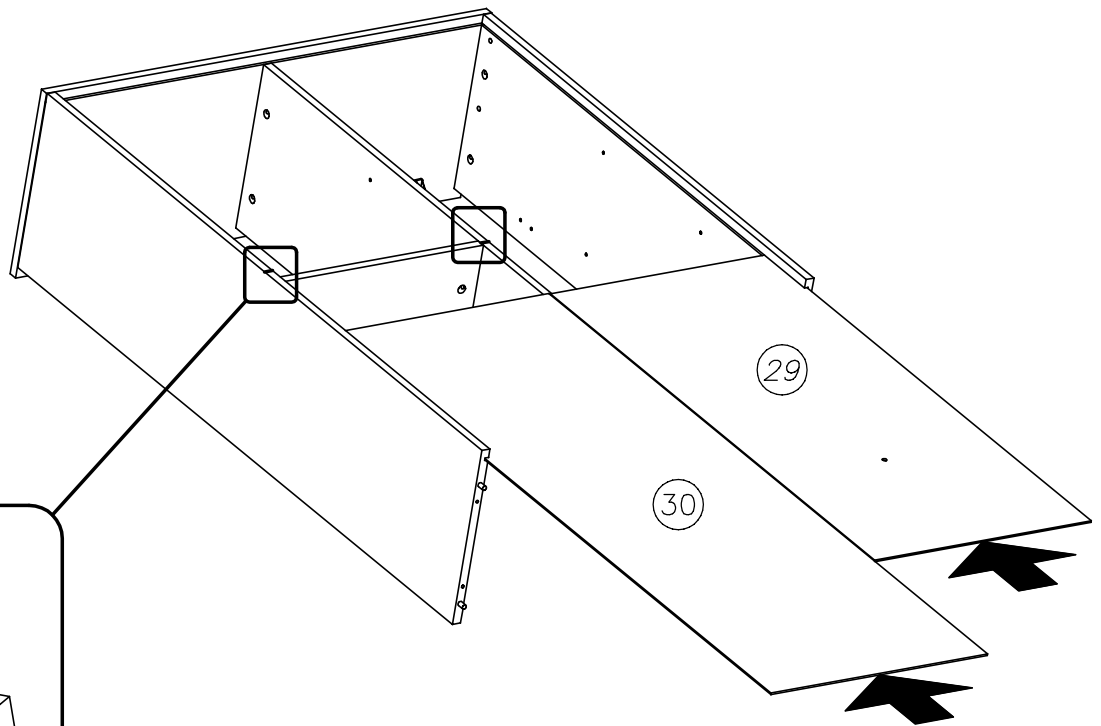


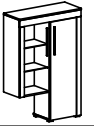


V

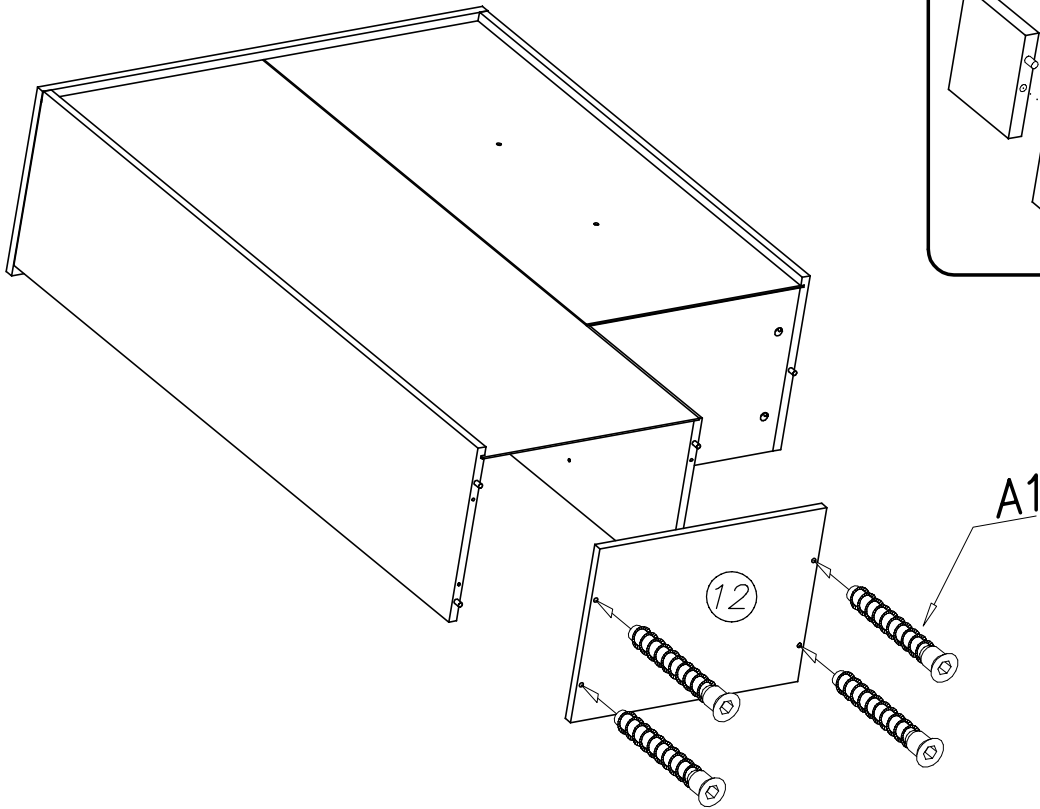


VI

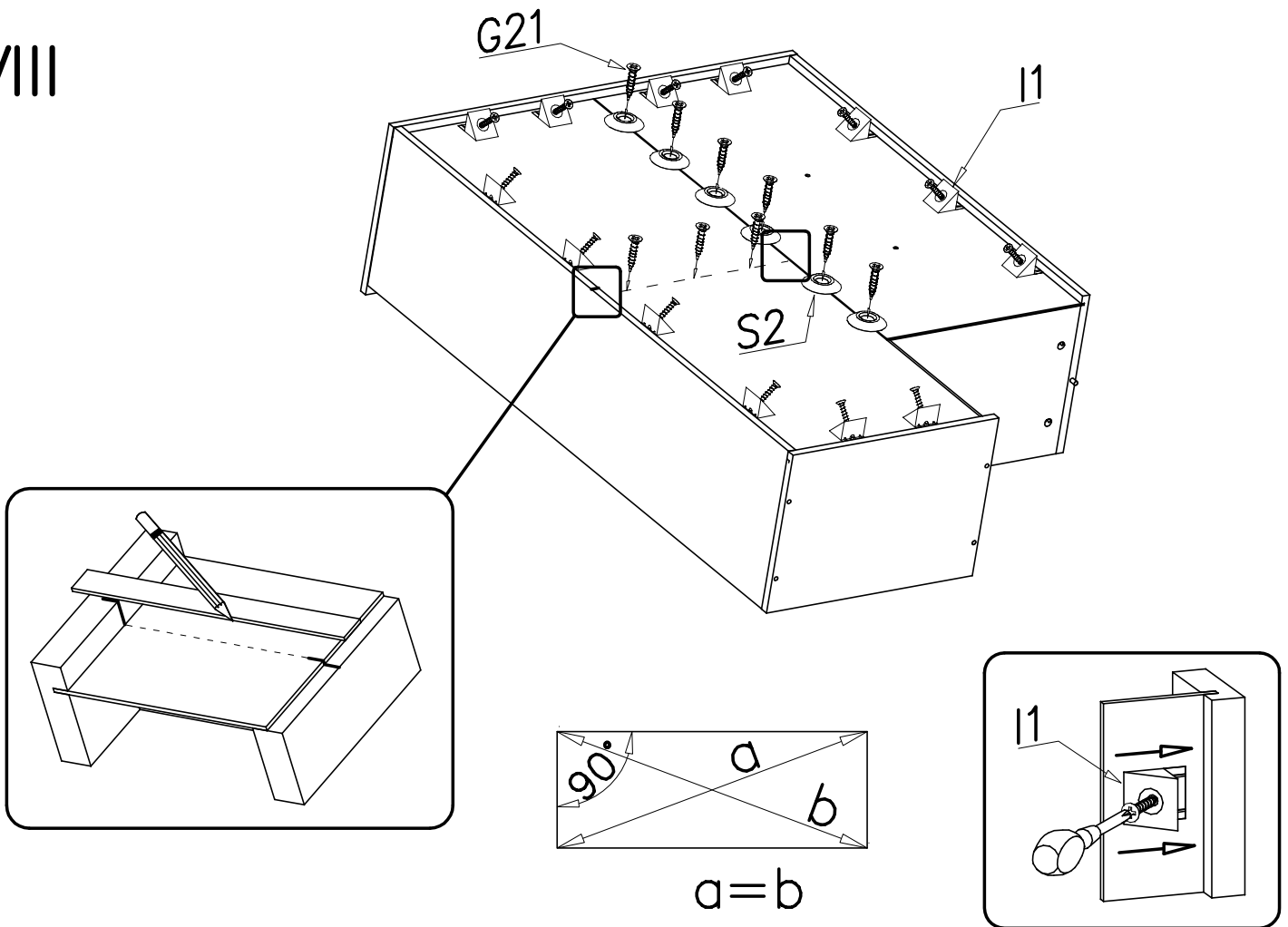


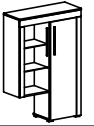


VII

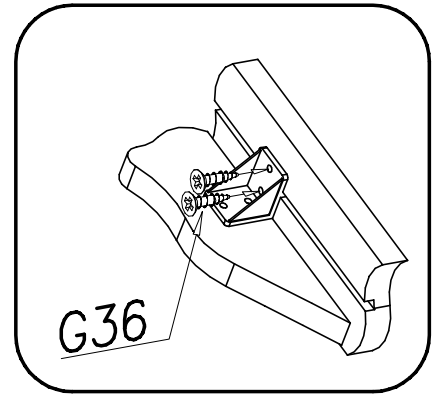
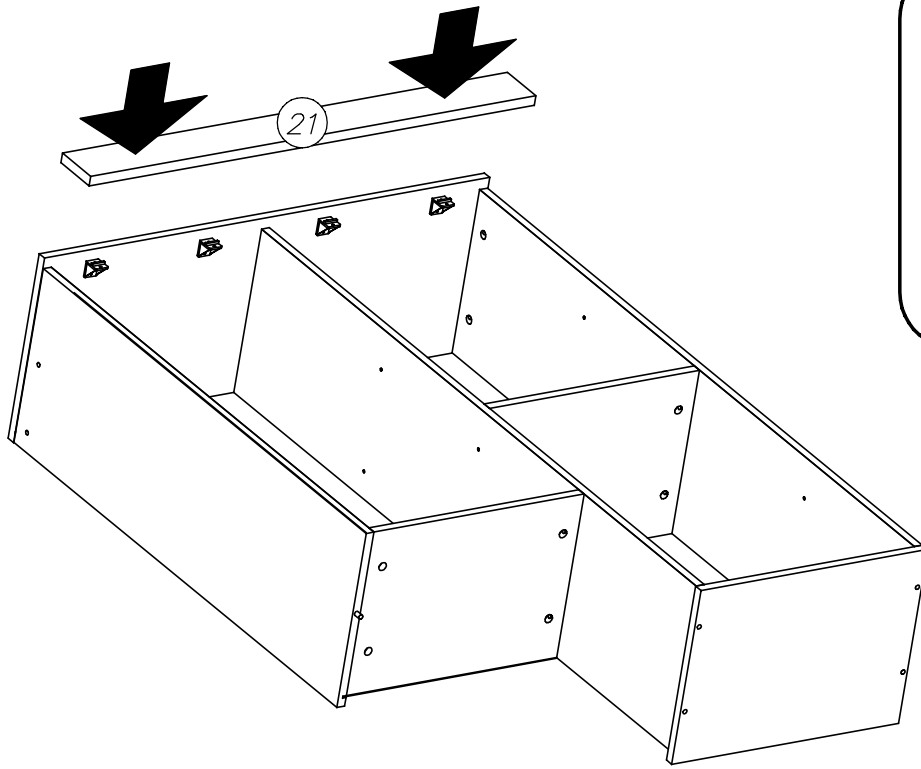


VIII

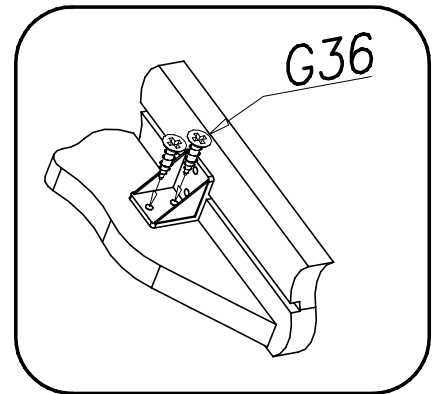
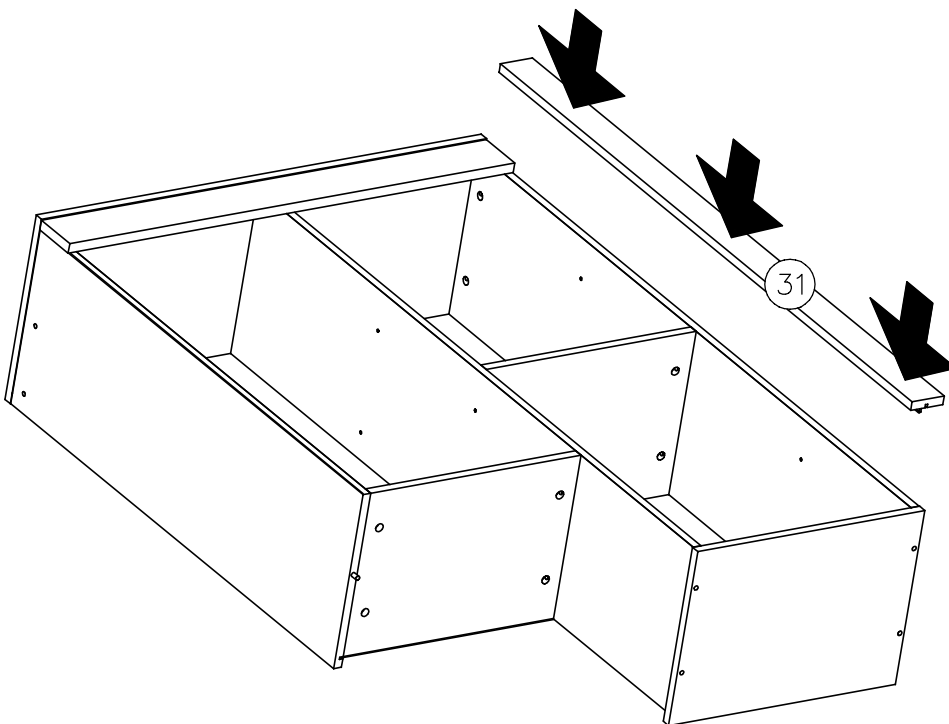


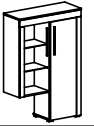


IX

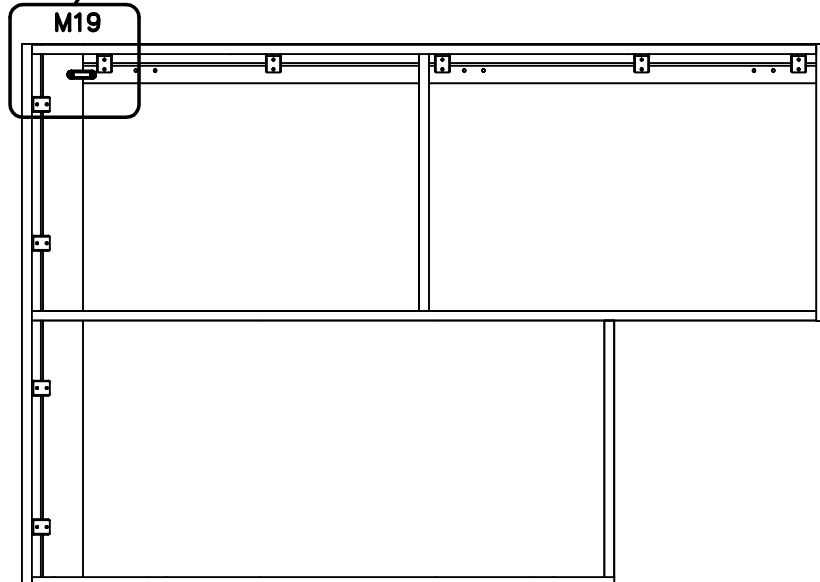
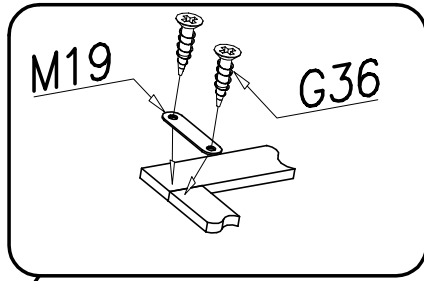
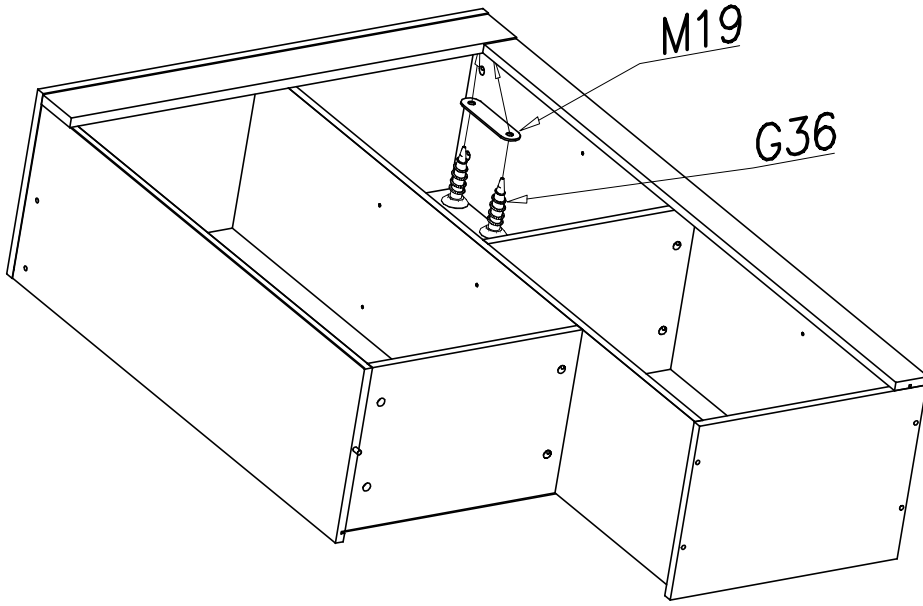


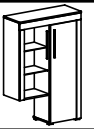
X



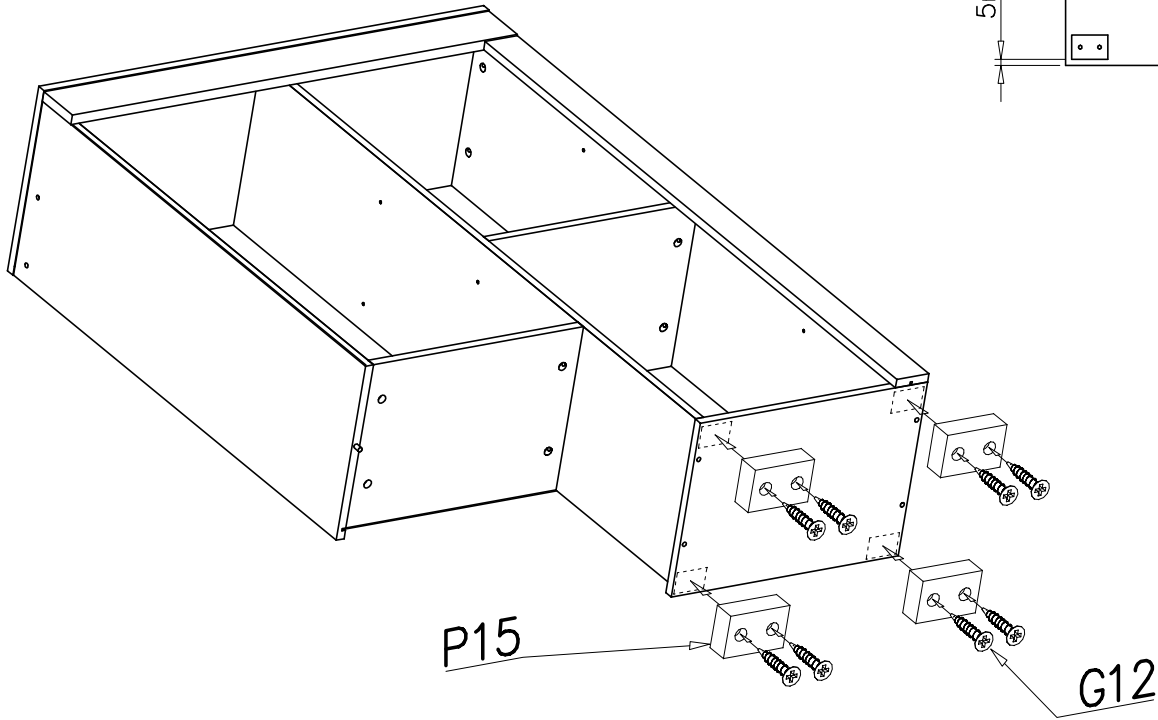


XI

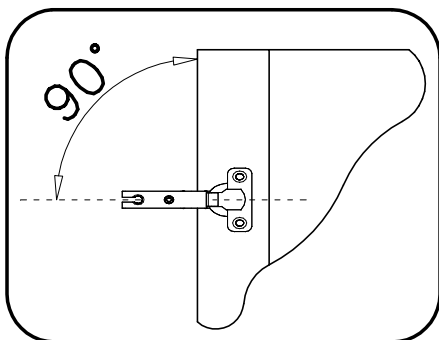
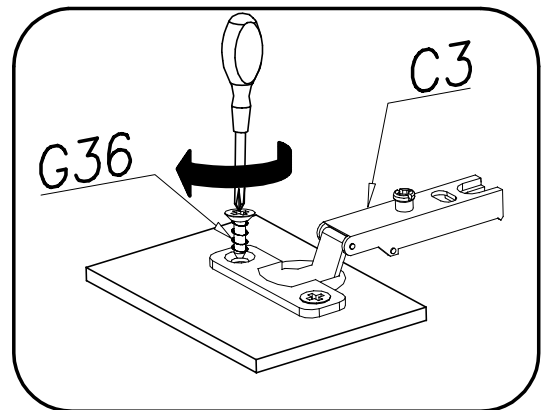
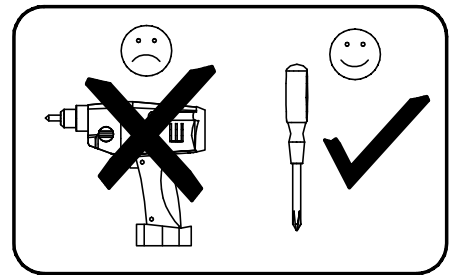
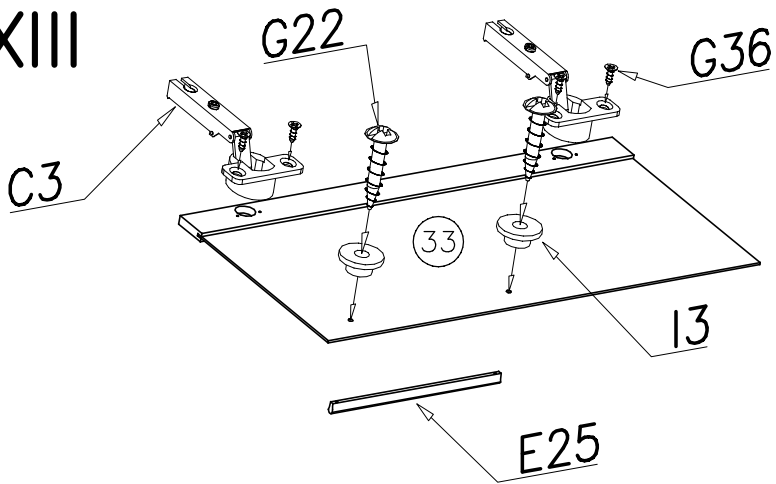


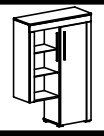


XII

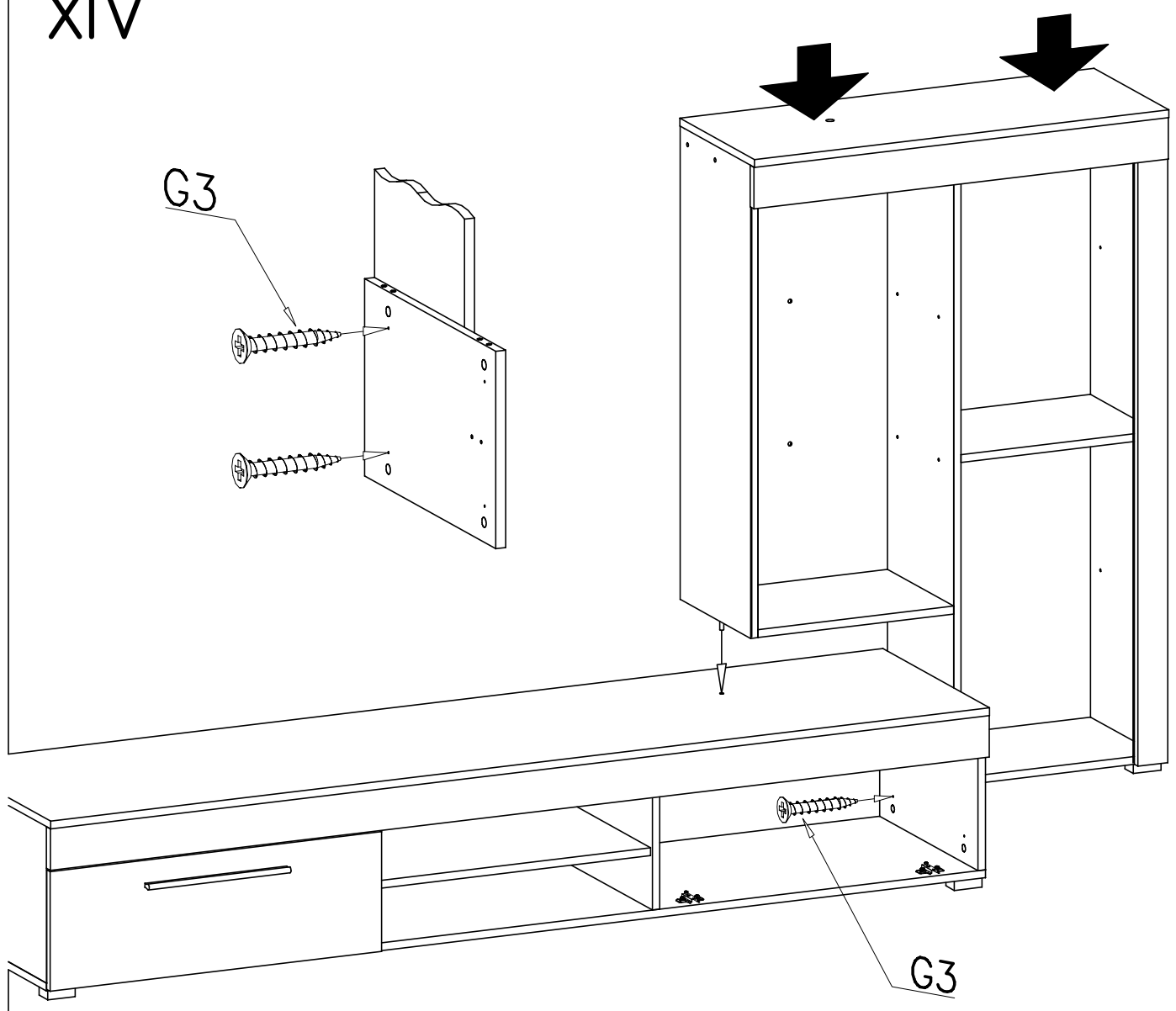


XIII

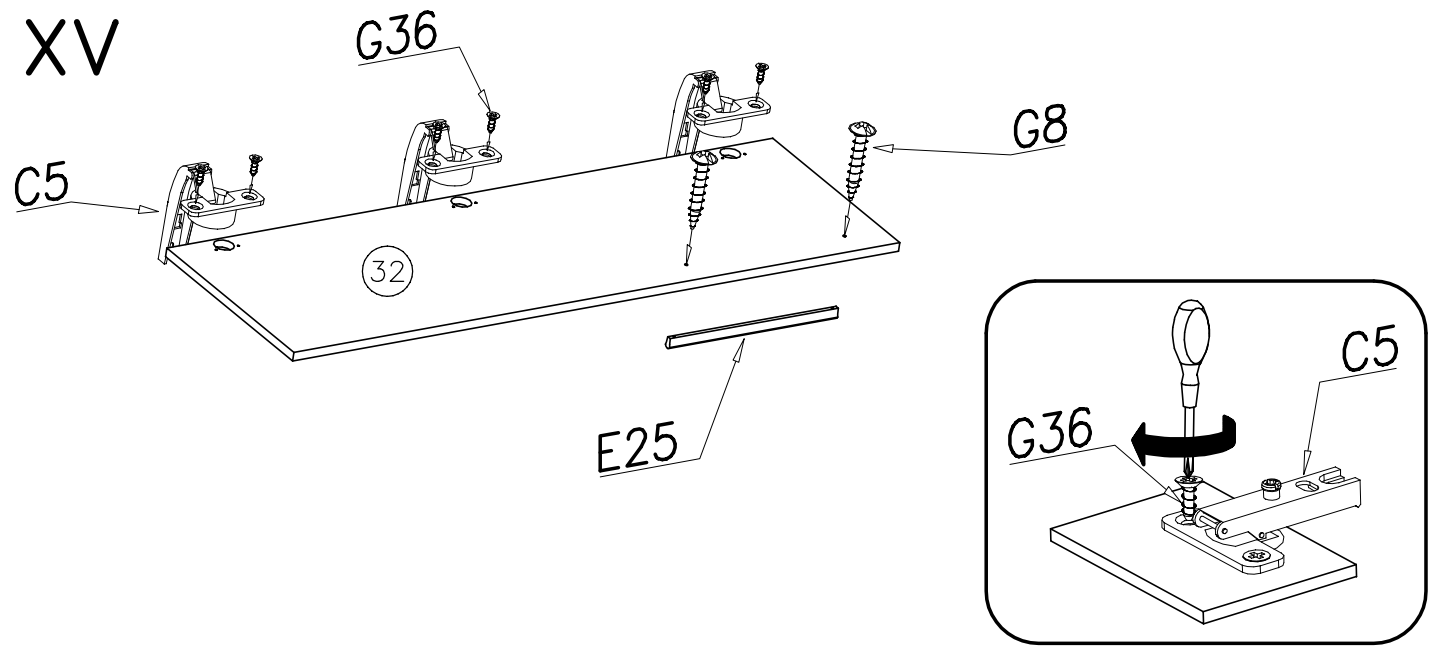


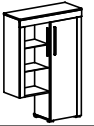


XIV

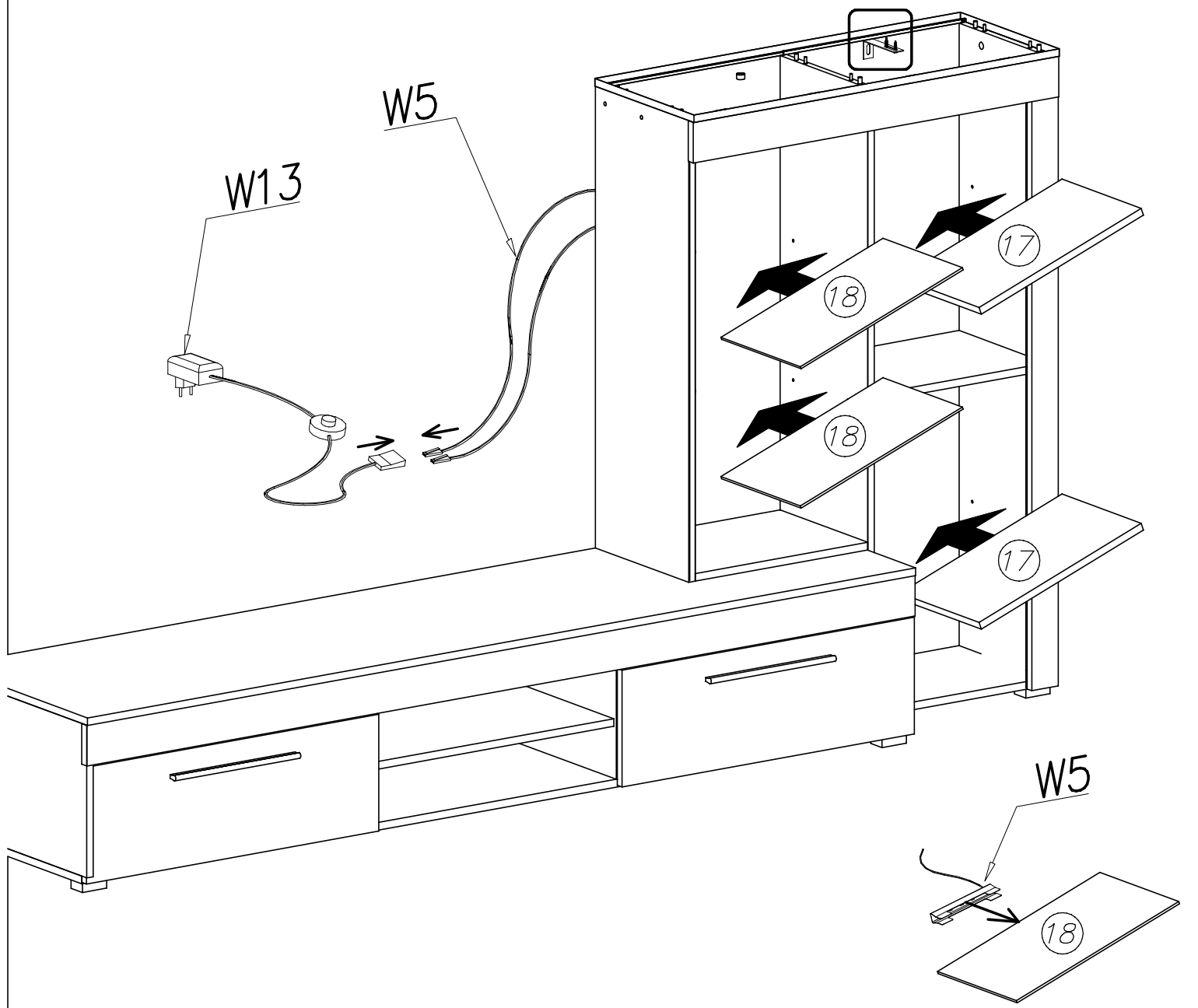
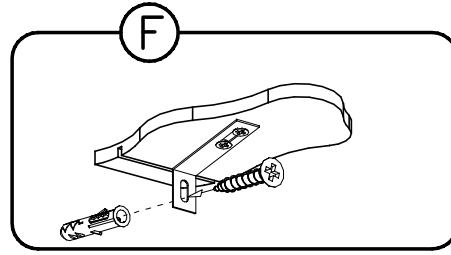
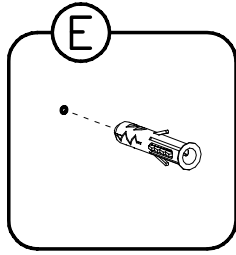
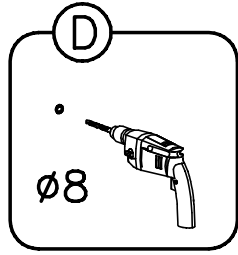
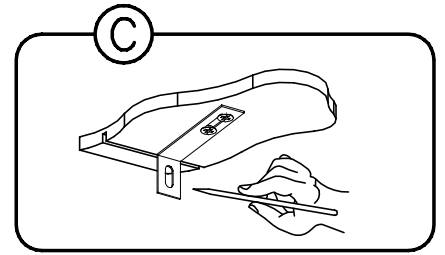
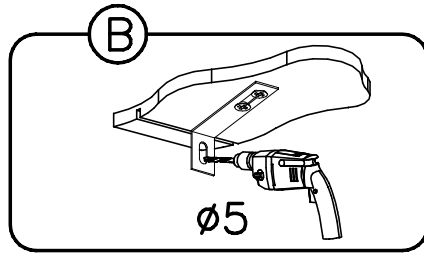
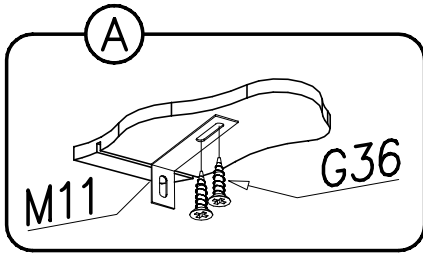


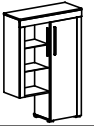
XV



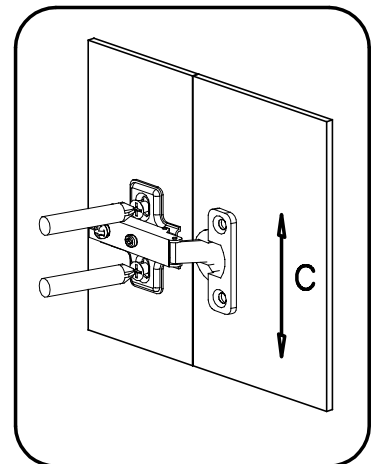
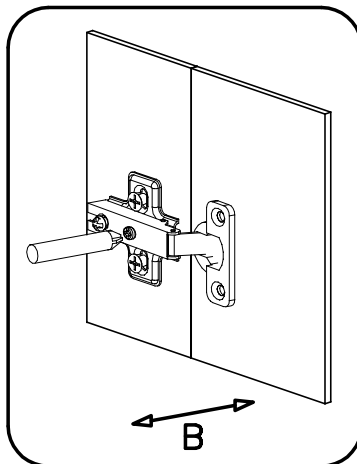
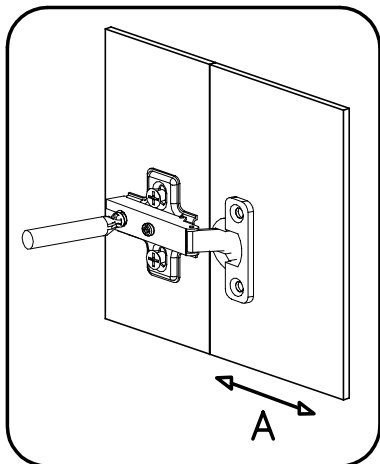
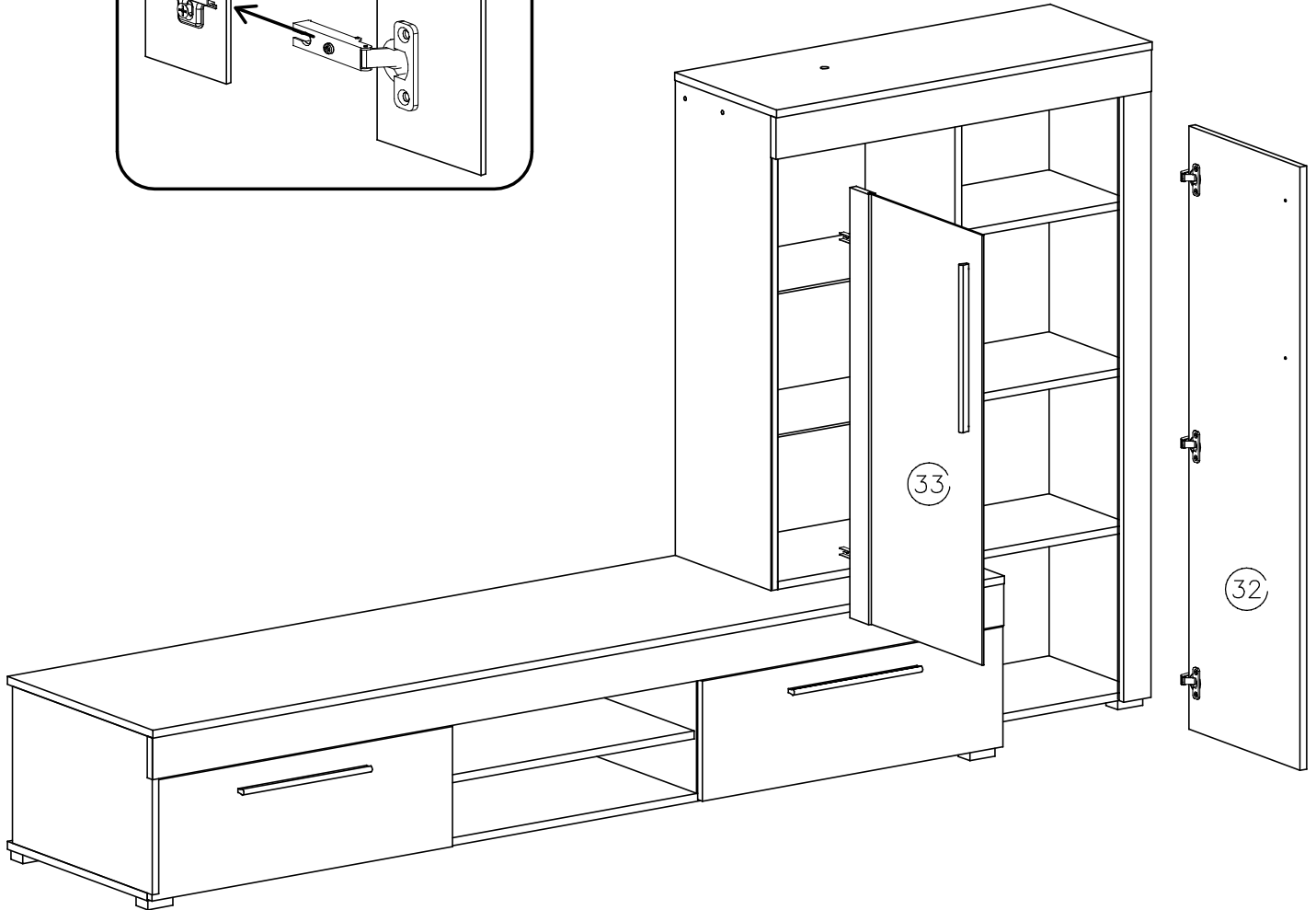
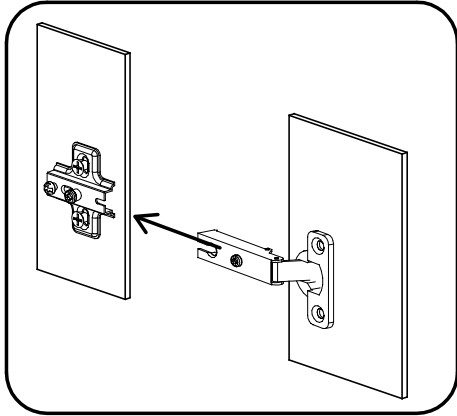
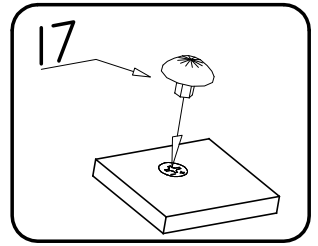


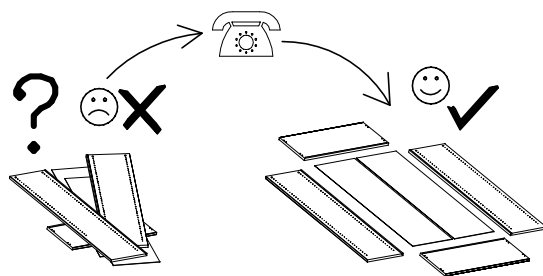
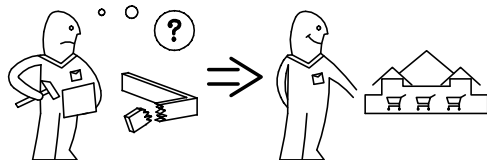
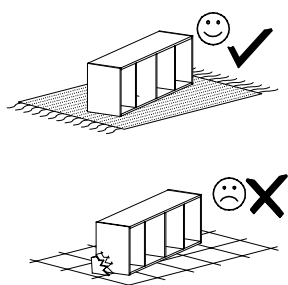
XVI



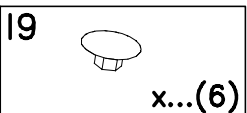
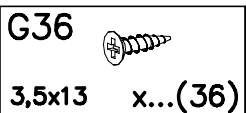
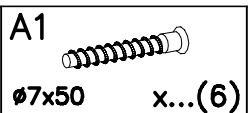
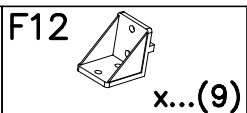
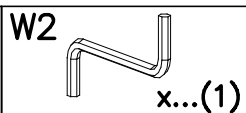
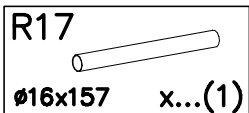
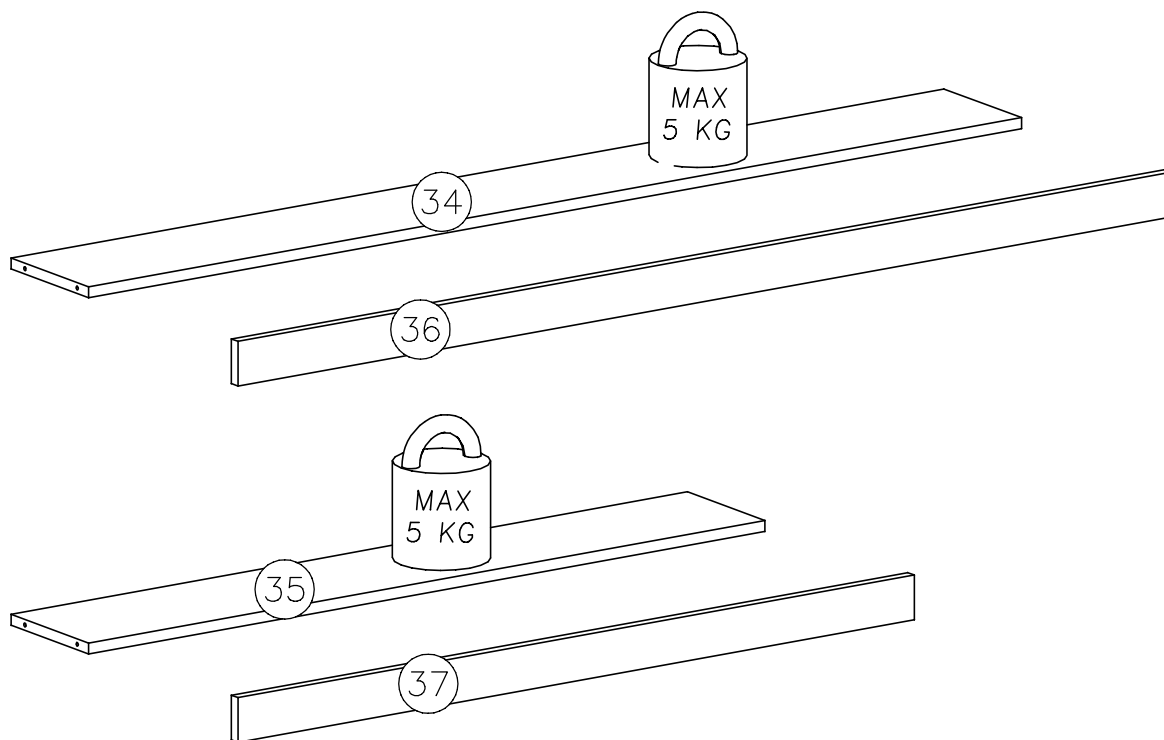


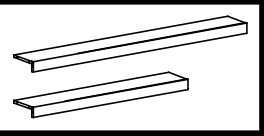
XVII



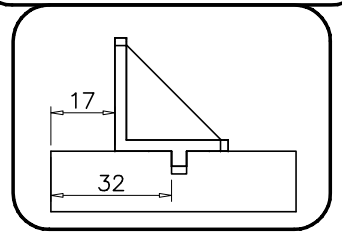
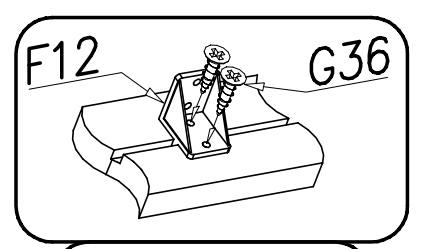
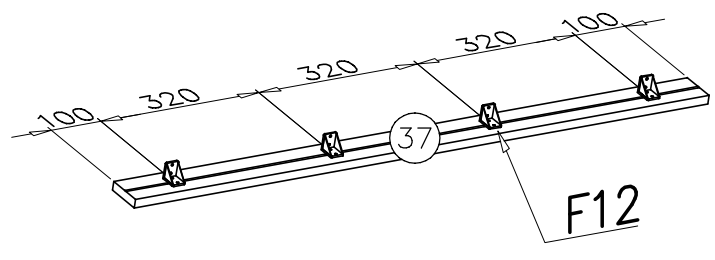
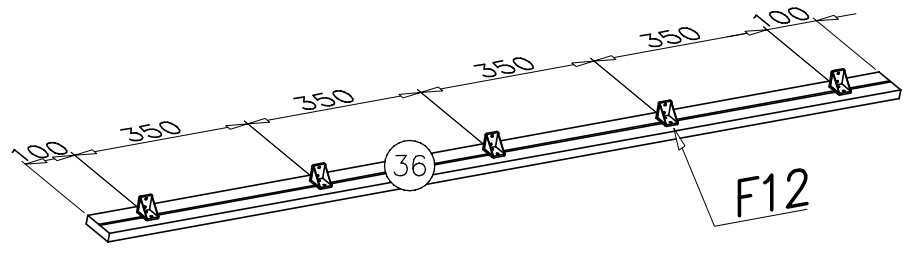


nr	L[mm]	B[mm]	T[mm]	Menge	Colli
34	1600	190	16	1	4/5
35	1160	190	16	1	4/5
36	1600	65	16	1	4/5
37	1160	65	16	1	4/5

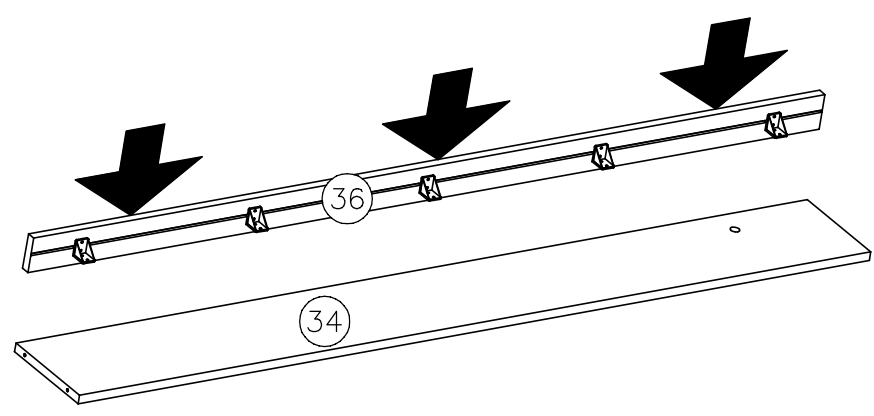
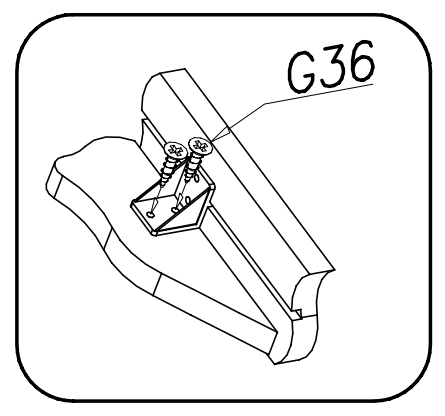
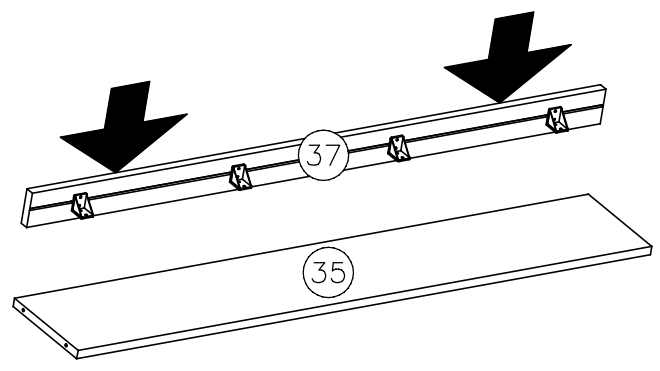


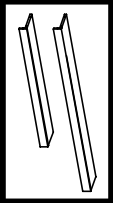


I

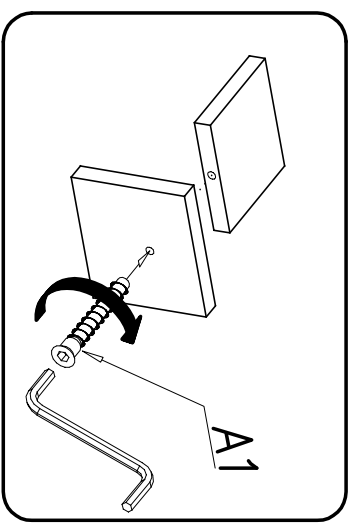
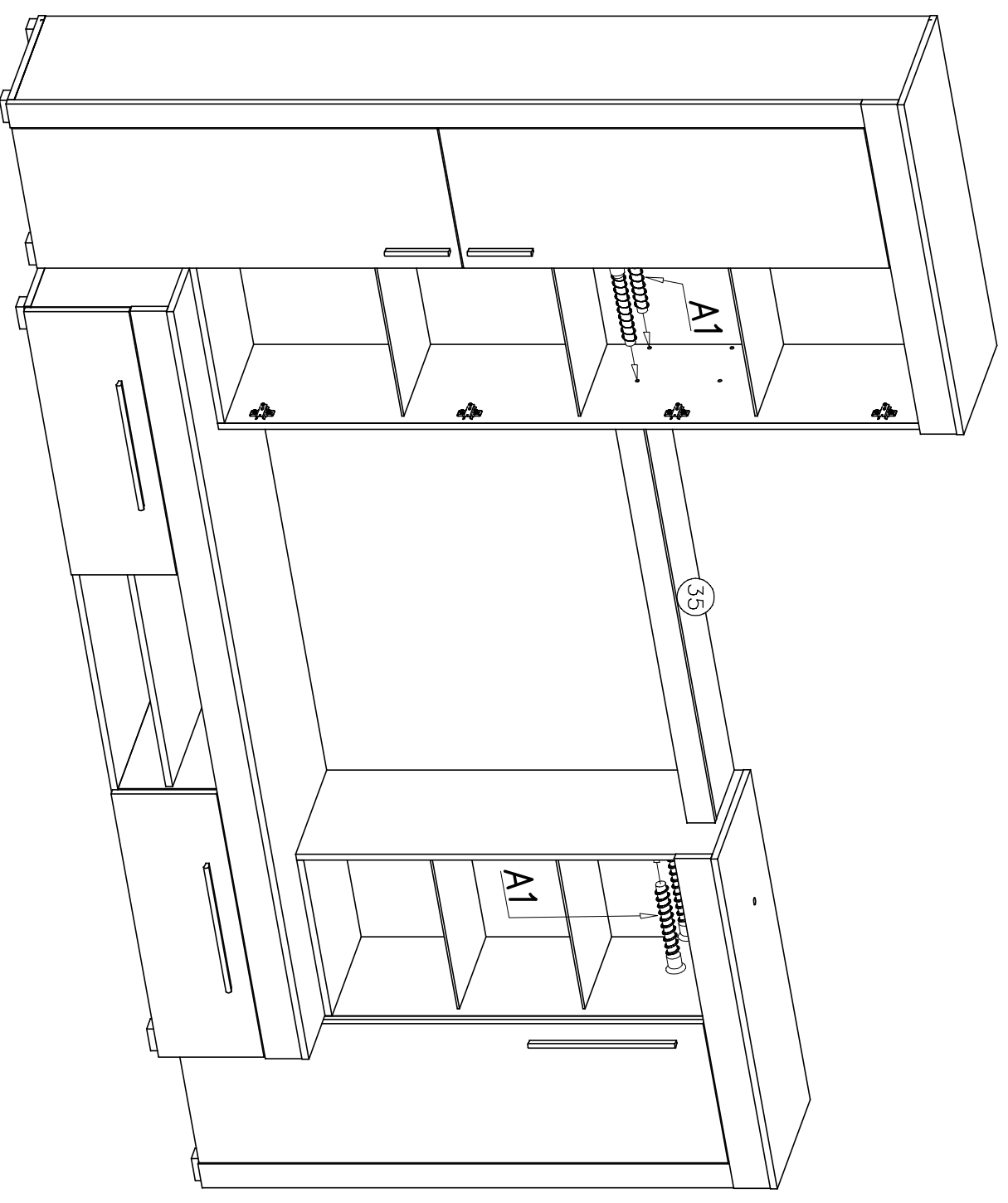


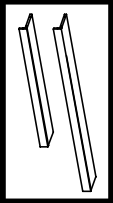
II





III





IV

