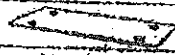
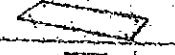
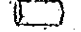

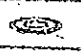
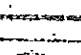
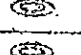
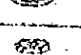
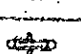
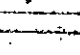
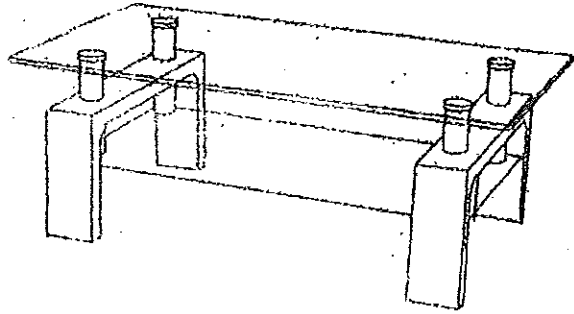


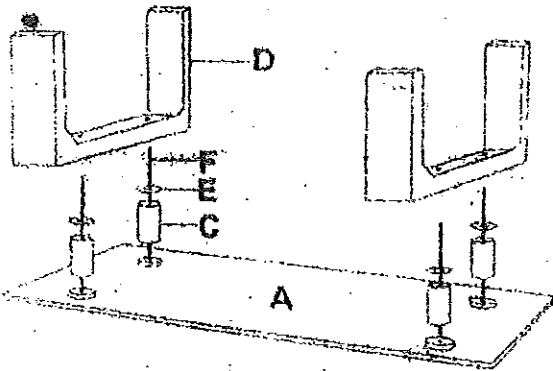
KENDRA

10-54

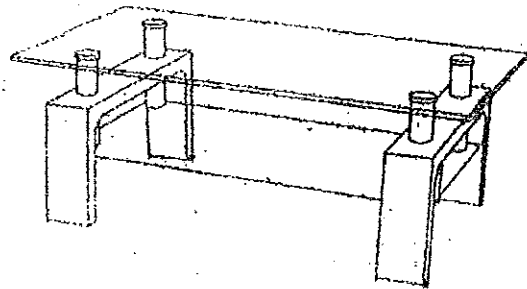
A		1000X600mm	1
B		800X400mm	1
C		φ 50X90mm	8
D			2
E		φ38	12
F		M8X22.5mm	4
G		φ 19	4
H		M8	4
I		M8	4
J		M8	1



1



3



2

